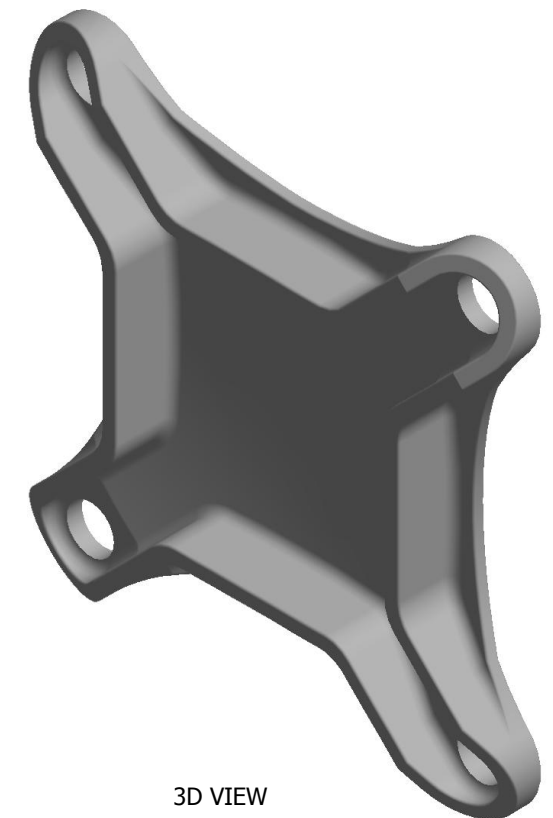
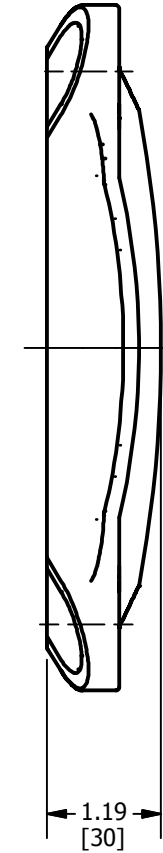
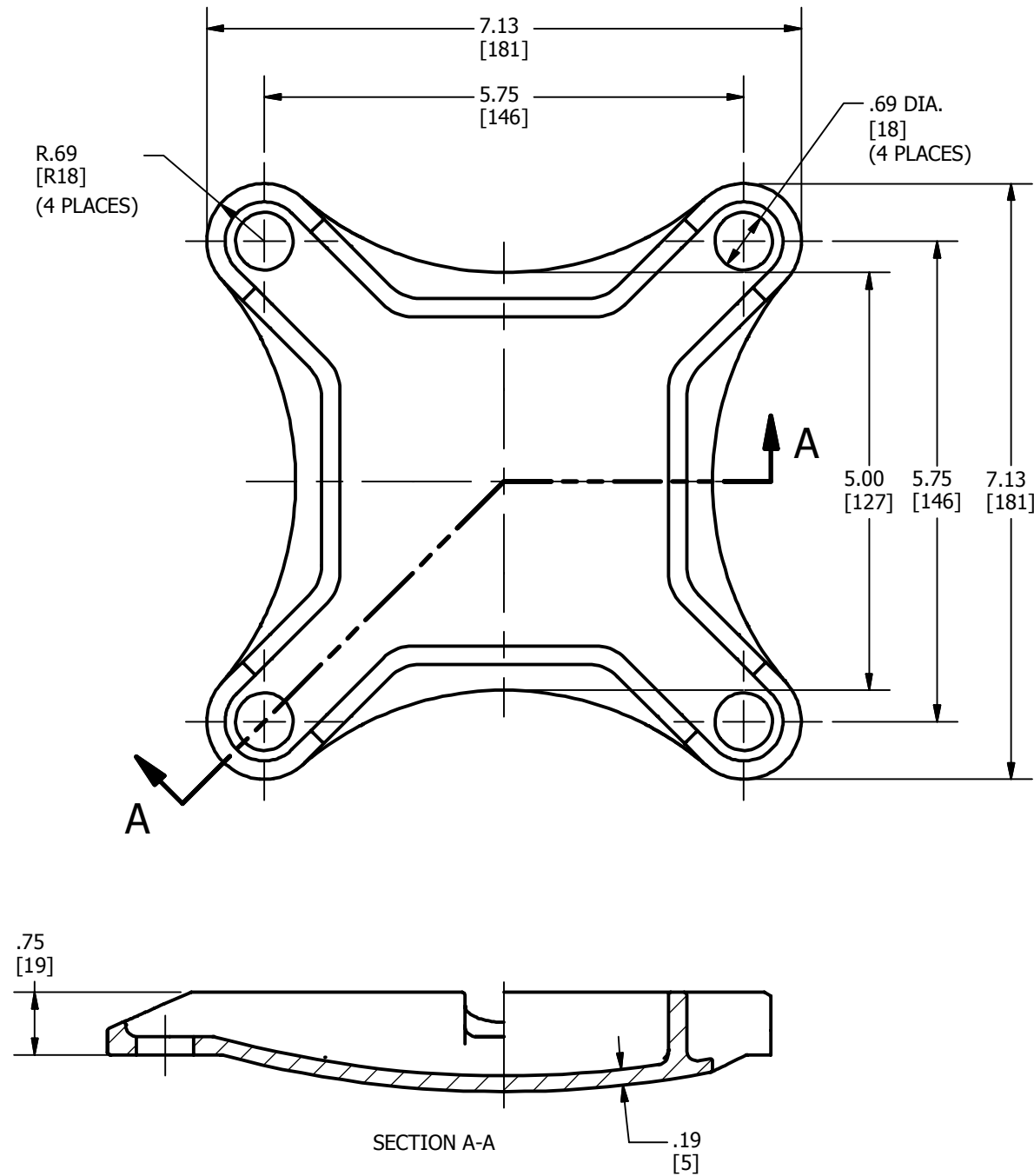


REV	DATE	DESCRIPTION	ECO	BY	C'H.K.
A	11/24/2016	CREATED SALES DRAWING	45406	JR	MB



3D VIEW

NOTES:

1. MATERIAL: CAST COPPER ALLOY.
FINISH: WHEELABRATE & WASH.
2. ACCOMMODATES:
RUN: 5.00 [127]
TAP: 5.00 [127]
3. DIMENSIONS IN BRACKETS [] ARE IN MILLIMETERS ROUNDED OFF TO THE NEAREST MILLIMETER, UNLESS OTHERWISE SPECIFIED AND ARE FOR REFERENCE ONLY.
4. APPROXIMATE WEIGHT: 3.407 LBS.

TO ORDER BURNDY® PRODUCTS CALL		BUS SUPPORT BODY	
UNITED STATES 1-800-346-4175 (LONDONDERRY, NH)		ITEM NO: 344172	
CANADA: 1-800-361-6975 (QUEBEC) 1-800-387-6487 (ALL OTHER PROVINCES)		CAT. NO: HFB55P1	
FOR PRODUCT INFO: http://www.burndy.com		DRAWN BY: JEBARUBAN G 11/22/2016	
		CHECKER: MANIKANDAN B 11/22/2016	
		DSN APRVL: RAY L 12/09/2016	
		MFG APRVL: --	
		QA APRVL: --	
		MKT APRVL: BEN C 12/09/2016	
PROD FAM: SUBSTATION	DRAWING NO	REV	
PROJECT #: --	SIZE	50078360	A
DOCUMENT TYPE: SALES	B		
REL LEVEL: Released		SHEET 1 OF 1	