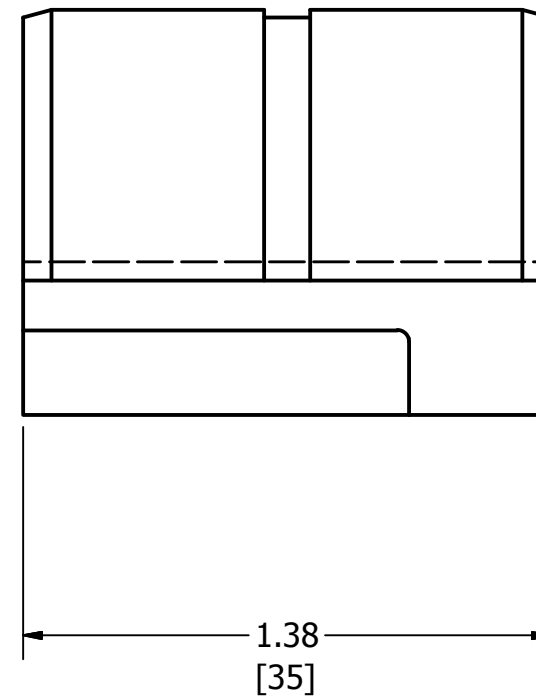
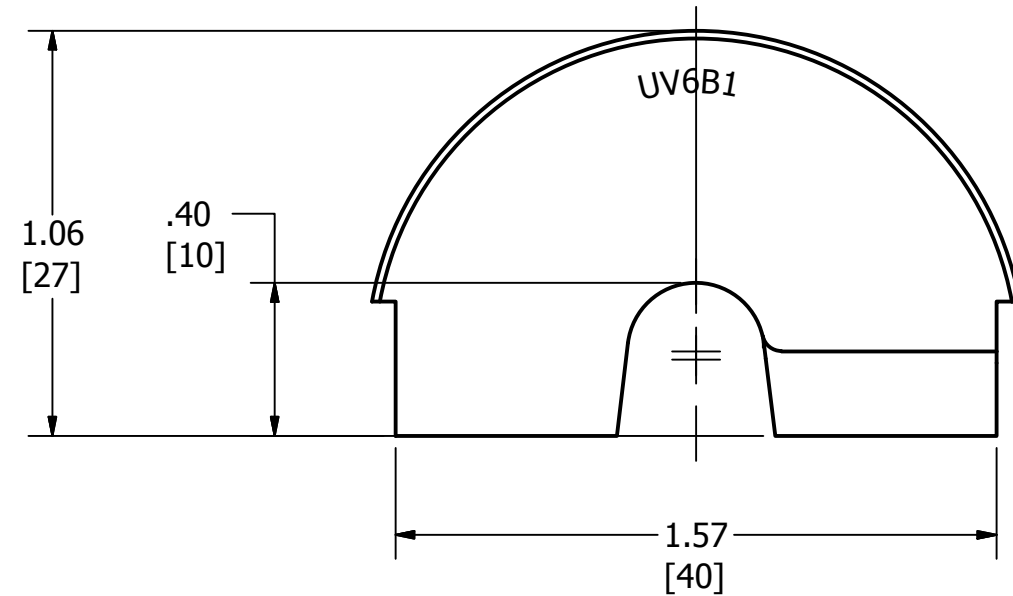


REV	DATE	DESCRIPTION	ECO	BY	C'H'K
A	12/05/2016	NEW DRAWING CREATION	45507	MG	RM



NOTES:

- THIS DRAWING TO BE INTERPRETED PER ASME Y14.5M-2009.
- DIMENSIONS IN BRACKETS [] ARE IN MILLIMETERS, ROUNDED OFF TO THE NEAREST MILLIMETER, UNLESS OTHERWISE NOTED AND ARE FOR REFERENCE ONLY.

TO ORDER BURNDY® PRODUCTS CALL		NEST DIE FOR YBM TERMINALS	
UNITED STATES 1-800-346-4175 (LONDONDERRY, NH)		ITEM NO: 001983	
CANADA: 1-800-361-6975 (QUEBEC) 1-800-387-6487 (ALL OTHER PROVINCES)		CAT. NO: UV6B1	
FOR PRODUCT INFO: http://www.burndy.com		DRAWN BY: M.GOP1 12/05/16	
		CHECKER: P.WASON 12/05/16	
		DSN APRVL: P.WASON 12/05/16	
		MFG APRVL: --	
		QA APRVL: C.LINDQUIST 12/09/16	
		MKT APRVL: P.SILVA 12/08/16	
		PROD FAM: --	
		DRAWING NO	
		50078992	
		REV	
		A	
		SHEET 1 OF 1	