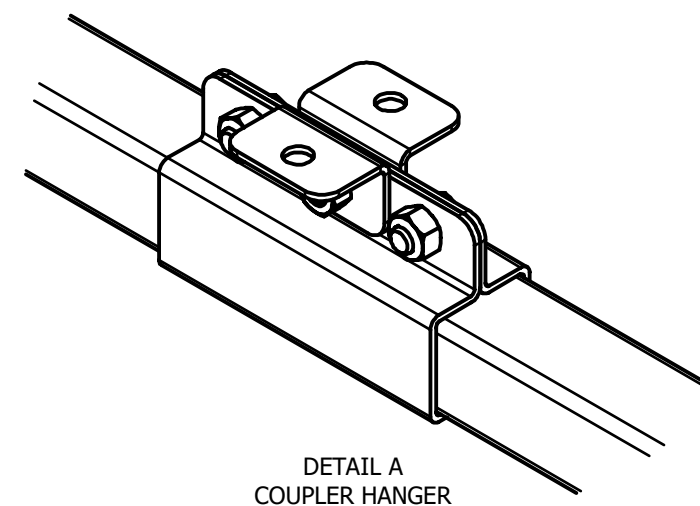
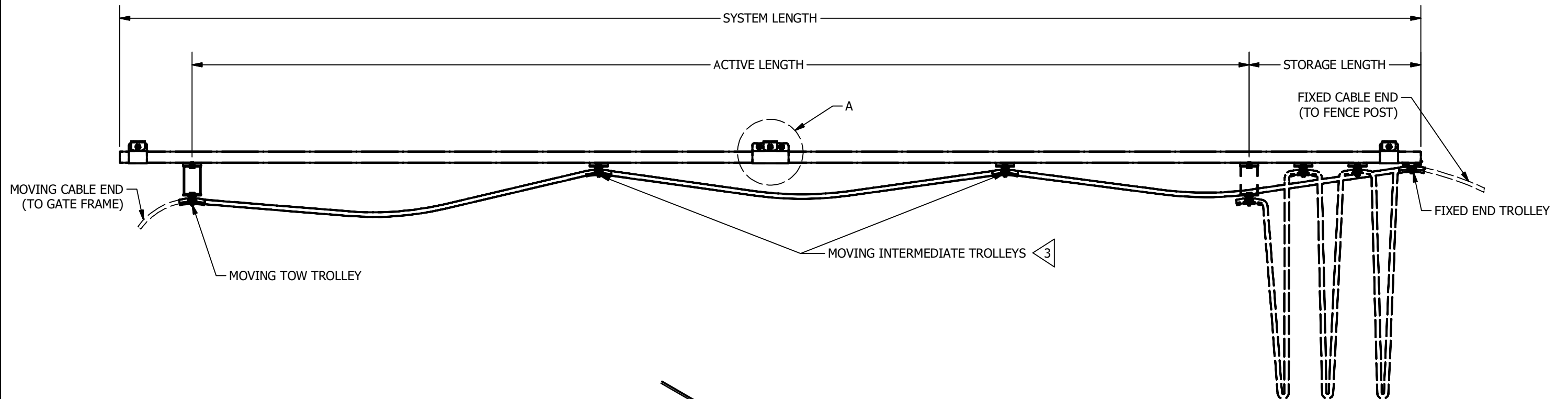


| CATALOG NUMBER | ACTIVE LENGTH | STORAGE LENGTH | SYSTEM LENGTH | CABLE LENGTH <sup>2</sup> | TROLLEY COUNT <sup>3</sup> | RAILS (QTY/LENGTH) | COUPLER HANGER (QTY) |
|----------------|---------------|----------------|---------------|---------------------------|----------------------------|--------------------|----------------------|
| BCR02302       | 10'-10"       | 1'-4"          | 12'-8"        | 17'                       | 2                          | 2 / 6'             | 3                    |
| BCR03302       | 14'-6"        | 1'-7"          | 16'-7"        | 22'                       | 3                          | 3 / 6'             | 4                    |
| BCR04302       | 18'-2"        | 1'-11"         | 20'-6"        | 27'                       | 4                          | 4 / 6'             | 5                    |
| BCR05302       | 21'-9"        | 2'-2"          | 24'-4"        | 33'                       | 5                          | 5 / 6'             | 6                    |
| BCR06302       | 25'-5"        | 2'-5"          | 28'-3"        | 38'                       | 6                          | 5 / 6'             | 6                    |
| BCR07302       | 29'-0"        | 2'-8"          | 32'-2"        | 43'                       | 7                          | 6 / 6'             | 7                    |
| BCR10302       | 39'-11"       | 3'-6"          | 43'-11"       | 59'                       | 10                         | 10 / 6'            | 13                   |

| REV | DATE       | DESCRIPTION        | ECO          | BY | C'H.K. |
|-----|------------|--------------------|--------------|----|--------|
| C   | 03/14/2022 | UPDATED TABLE DATA | 220315017968 | PB | RG     |



**NOTES:**

- DIMENSIONS IN BRACKETS [ ] ARE IN MILLIMETERS ROUNDED OFF TO THE NEAREST MILLIMETER, UNLESS OTHERWISE SPECIFIED AND ARE FOR REFERENCE ONLY.
- LENGTH LISTED IS FOR ACTIVE CABLE ONLY. IF HOOKUP WIRE IS REQUIRED AT EITHER END ADD EXTRA LENGTH WHEN ORDERING OR CUTTING CABLE (CABLE NOT INCLUDED).
- TROLLEY COUNT INCLUDES ONLY INTERMEDIATE TROLLEYS.
- OTHER INCLUDED COMPONENTS: TOW TROLLEY (1)  
VINYL END CAP (2)  
END CLAMP (1)  
TRACK END STOP (1)

|   |  |                               |  |
|---|--|-------------------------------|--|
| TO ORDER BURNDY® PRODUCTS CALL  |  | SLIDING GATE GROUNDING SYSTEM |  |
| UNITED STATES<br>1-800-346-4175 (LONDONDERRY, NH)                           |  | ITEM NO: --                   |  |
| CANADA:<br>1-800-361-6975 (QUEBEC)<br>1-800-387-6487 (ALL OTHER PROVINCES)  |  | CAT. NO: BCR--302 (SEE TABLE) |  |
| FOR PRODUCT INFO: <a href="http://www.burndy.com">http://www.burndy.com</a> |  | DRAWN BY: E.MARTIN 1/20/2017  |  |
|   |  | CHECKER: --                   |  |
|   |  | DSN APRVL: E.MARTIN 3/20/2018 |  |
|   |  | MFG APRVL: --                 |  |
|   |  | QA APRVL: B.POST 3/20/2018    |  |
|   |  | MKT APRVL: --                 |  |
|   |  | PROD FAM: --                  |  |
|   |  | DRAWING NO                    |  |
|   |  | 50079882                      |  |
|   |  | REV                           |  |
|   |  | C                             |  |
|   |  | SHEET 1 OF 1                  |  |