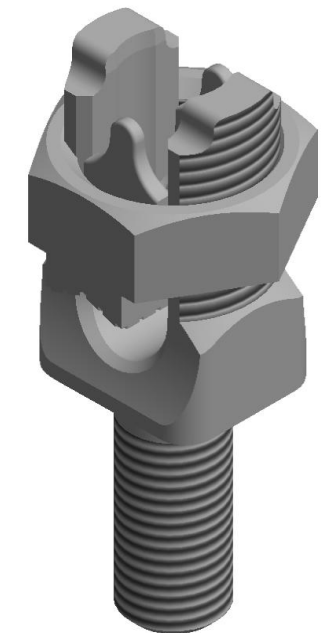
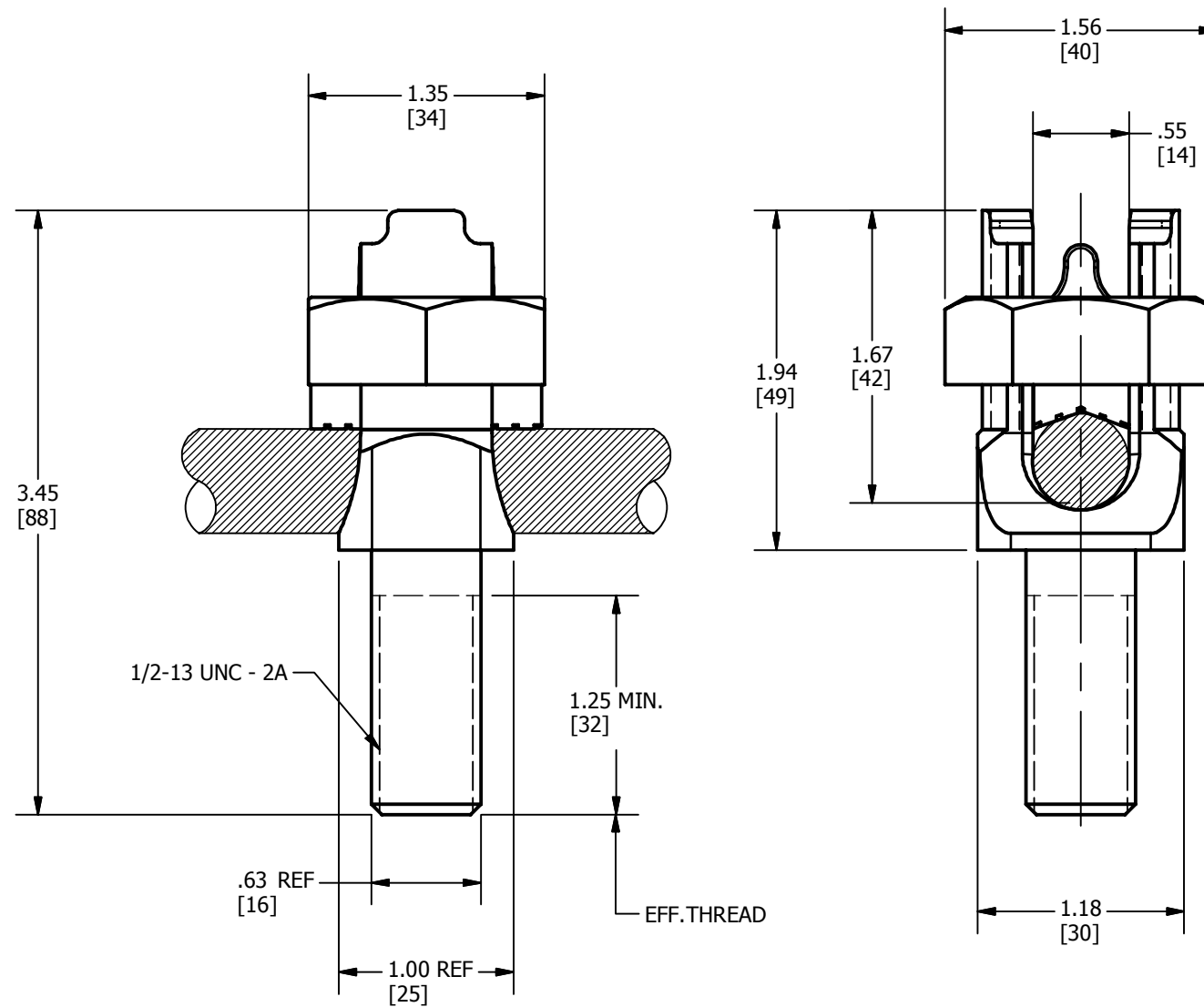


CATALOG NUMBER	CONDUCTORS ACCOMMODATED			
	AWG		METRIC WIRE SIZE	
	STRANDED	SOLID	STRANDED	SOLID
KC28B1G17	1 (.332 DIA) 4/0 (.528 DIA)	1 (.289 DIA) 4/0 (.460 DIA)	[50mm ² (9.3 DIA) [95mm ² (12.8 DIA)	----- -----

REV	DATE	DESCRIPTION	ECO	BY	C'H'K.
A	2/6/2017	NEW DRAWING CREATED	45933	SM	MB



3D VIEW

NOTES:

1. MATERIAL: CAST COPPER ALLOY (KC28-KC44).
2. FINISH : NONE
3. ALL ITEMS ARE LISTED TO UL 467, FILE E9999 AND CSA C22.2 NO. 65, FILE 42861, UNLESS OTHERWISE NOTED.
4. DIMENSIONS IN BRACKETS [] ARE IN MILLIMETERS ROUNDED OFF TO THE NEAREST MILLIMETER, UNLESS OTHERWISE SPECIFIED AND ARE FOR REFERENCE ONLY.

TO ORDER BURNDY® PRODUCTS CALL		SERVIT POST™ (MALE)	
UNITED STATES 1-800-346-4175 (LONDONDERRY, NH)		ITEM NO: 26002041	
CANADA: 1-800-361-6975 (QUEBEC) 1-800-387-6487 (ALL OTHER PROVINCES)		CAT. NO: KC28B1G17	
FOR PRODUCT INFO: http://www.burndy.com		DRAWN BY: SMOORTHY 6/2/2017	
		CHECKER: MANIKANDAN B 2/6/2017	
		DSN APRVL: L TROMBLEY 2/9/2017	
		MFG APRVL: --	
		QA APRVL: B POST 2/8/2017	
		MKT APRVL: K ROBICHEAU 2/8/2017	
		PROD FAM: --	
		DRAWING NO	
		50080035	
		REV	
		A	
		SHEET 1 OF 1	