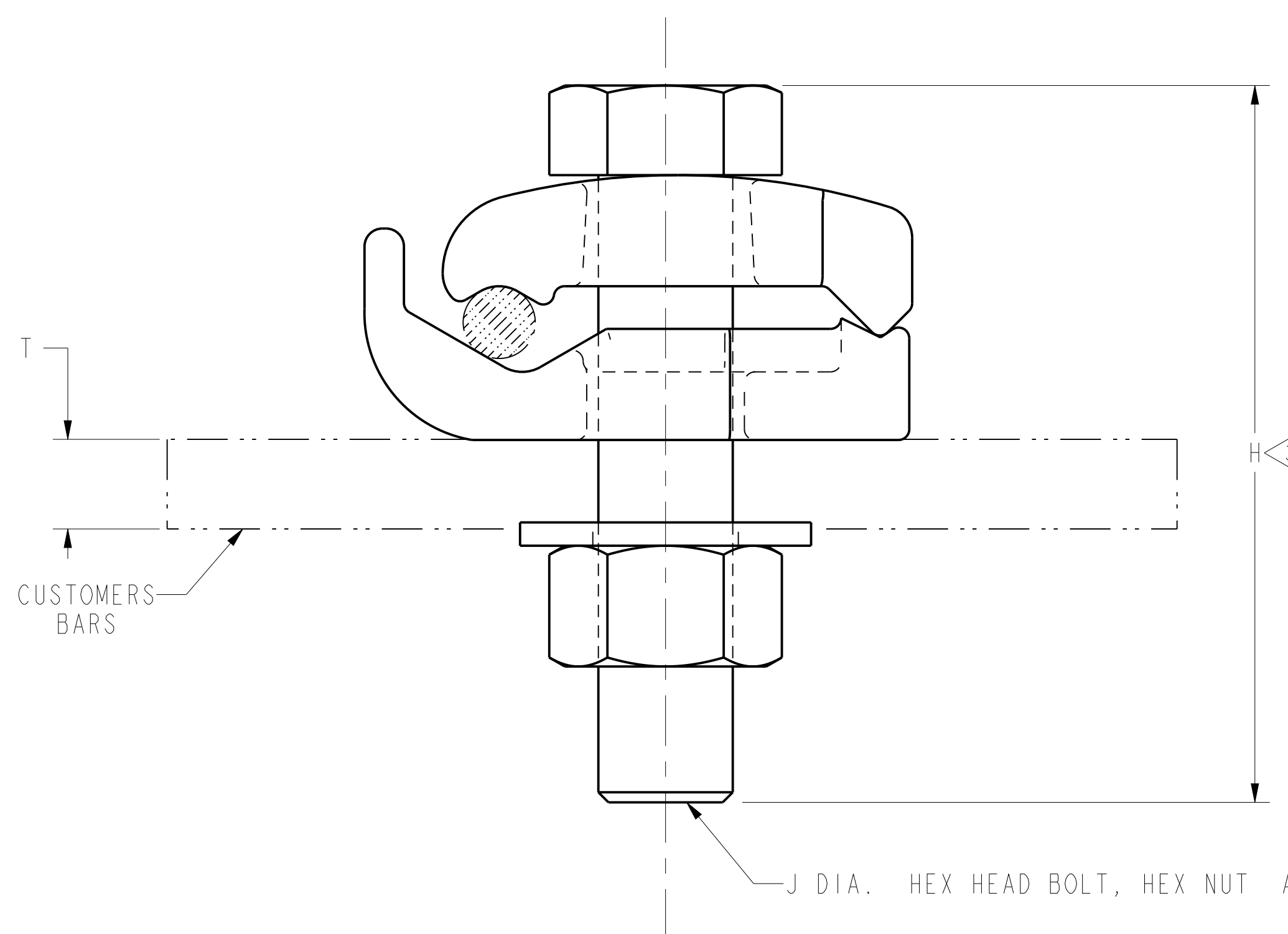
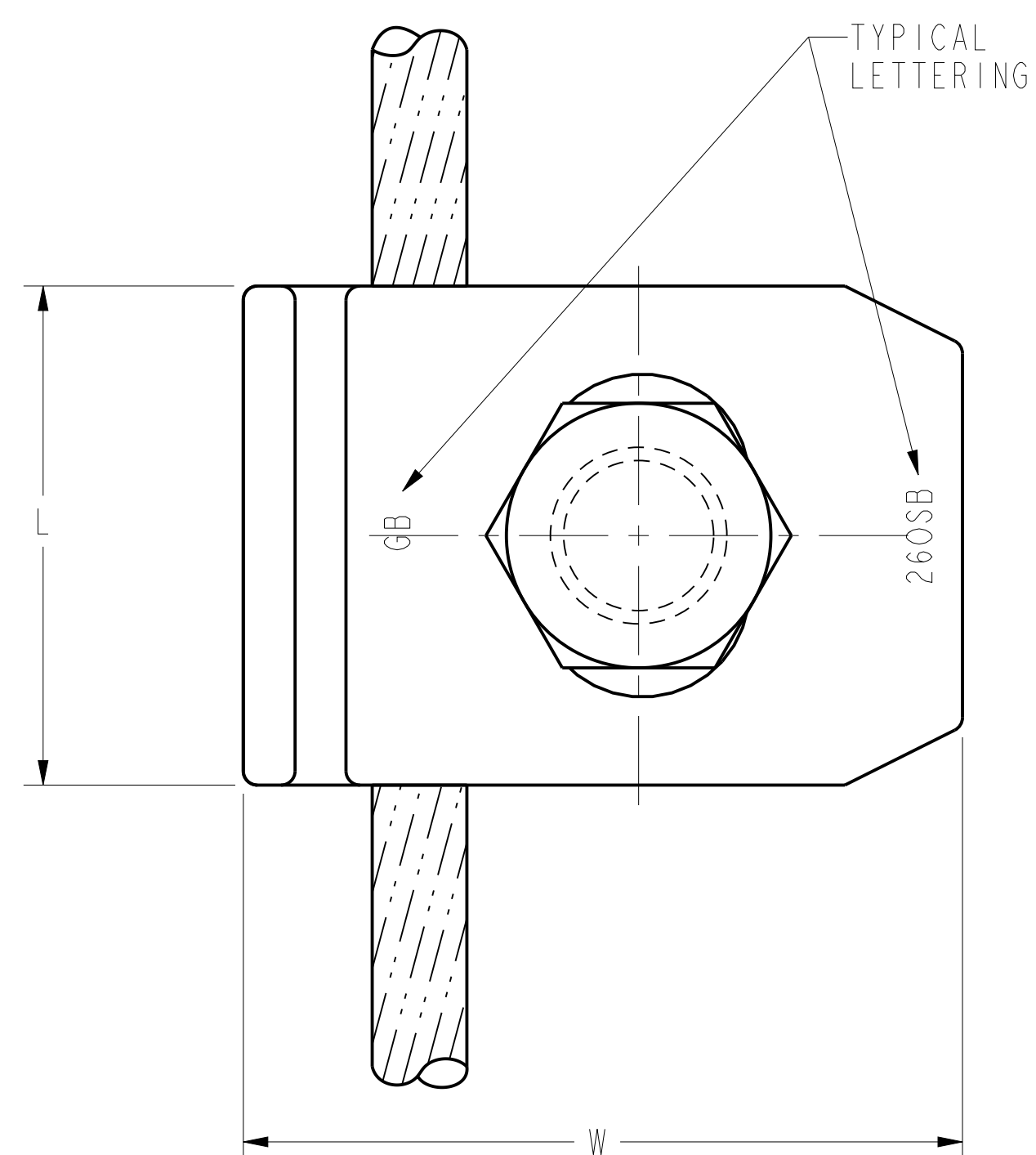


COPPER CONDUCTOR ACCOMMODATES		CAT. NO.	H \triangleleft 3	J DIA.	L	W	T \triangleleft 3	TORQUE	
AWG	METRIC WIRE SIZE							LB-IN	N-M
4 SOL (.204 DIA.) - 2/0 STR. (.418 DIA.)	25 mm ² STR [6.48] 70 mm ² STR [10.9]	GB260SBHEXCTW	2.02 [51]	3/8"-16	1.06 [27]	1.52 [39]	--	240	27.0

REV	DATE	DESCRIPTION	ECO	BY	C'K'.
A	02/09/2017 14:00:00 PM	CREATED SALES DRAWING	45976	JR	MB



NOTES:

- MATERIAL: CASTING - TIN-PLATED CAST COPPER ALLOY
HARDWARE - TIN-PLATED SILICONE BRONZE
- DIMENSIONS IN BRACKETS [] DENOTES METRIC UNITS [SI UNITS] AND ARE ROUNDED TO THE NEAREST WHOLE NUMBER. UNLESS OTHERWISE SPECIFIED THESE UNITS SHALL BE USED FOR REFERENCE ONLY.

\triangleleft 3 FOR BAR THICKNESS FROM 1/4" TO 1/2" ADD THE SUFFIX "-T4" TO THE CATALOG NUMBER. FOR BAR THICKNESS FROM 1/2" TO 1" ADD THE SUFFIX "-T8" TO THE CATALOG NUMBER. "H" DIM ONLY APPLIES TO THE STANDARD (NON-SUFFIX) CATALOG NUMBERS SHOWN IN TABLE ABOVE.

TO ORDER BURNDY® PRODUCTS CALL		GROUND CONNECTOR	
UNITED STATES 1-800-346-4175 (LONDONDERRY, NH)		ITEM NO: 26422N	CAT. NO: GB260SBHEXCTW
CANADA: 1-800-361-6975 (QUEBEC) 1-800-387-6487 (ALL OTHER PROVINCES)		DRAWN BY: G JEBARUBAN 02/09/17	CHECKER: B MANIKANDAN 02/09/17
FOR PRODUCT INFO: http://www.burndy.com		DSN APPVL: --	MFG APPVL: --
		QA APPVL: --	MKT APPVL: --
		PROD FAM: MECHANICAL GROUNDING	DRAWING NO: 50080158
		PROJECT #: --	SIZE: D
		DOCUMENT TYPE: Sales	SHEET 1 OF 1
		REL LEVEL: Released	REV: A

