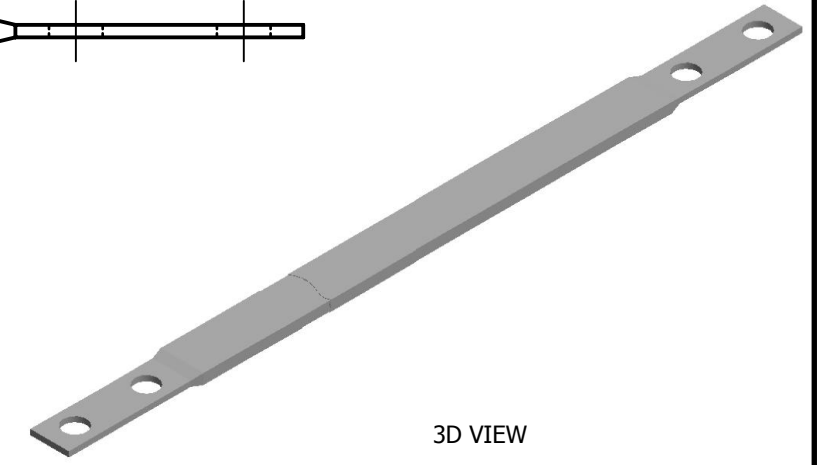
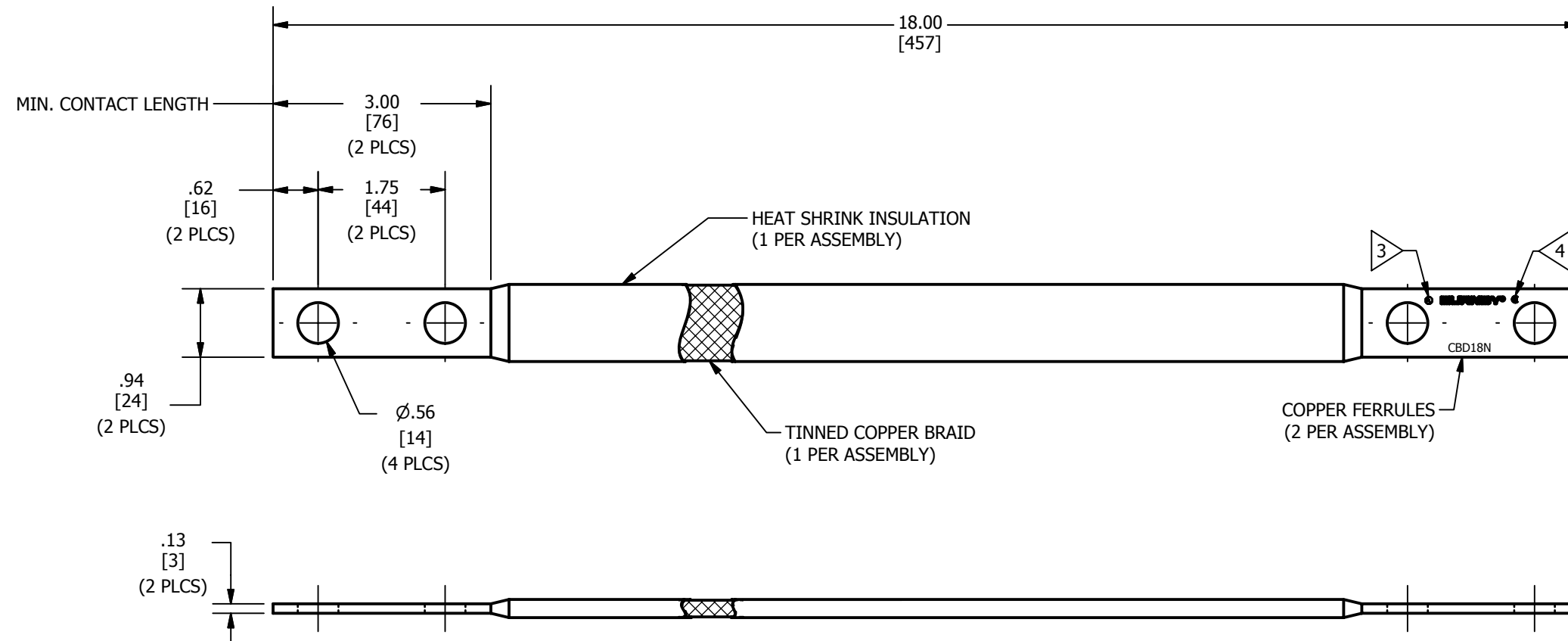


REV	DATE	DESCRIPTION	ECO	BY	C'H'K.
A	02/22/2017	CREATE SALES DRAWING	46085	CV	MB



NOTES:

- APPROXIMATE AMP. RATING: 190 INDOOR, 225 OUTDOOR, THIS RATING MAY VARY WITH AMBIENT CONDITIONS, ORIENTATION OF THE BRAID AND OTHER SERVICE CONDITIONS.
- DIMENSIONS IN BRACKETS [] ARE IN MILLIMETERS ROUNDED OFF TO THE NEAREST MILLIMETER, UNLESS OTHERWISE NOTED, AND ARE FOR REFERENCE ONLY.
- ALL SIZES ARE LISTED TO UL 467 GROUNDING & BONDING EQUIPMENT STANDARDS.
- ALL SIZES ARE LISTED TO CSA C22.2 NO.41 GROUNDING & BONDING EQUIPMENT STANDARDS.
- APPROXIMATE WEIGHT: 1.205 LBS

TO ORDER BURNDY PRODUCTS CALL		BRAID	
UNITED STATES		ITEM NO: 002926	
1-800-346-4175 (LONDONDERRY, NH)		CAT. NO: CBD18N	
CANADA:		DRAWN BY: VIMAL C 2/22/2017	
1-800-361-6975 (QUEBEC)		CHECKER: B.MANIKANDAN 2/22/2017	
1-800-387-6487 (ALL OTHER PROVINCES)		DSN APRVL: L.TROMBLEY 6/30/2017	
FOR PRODUCT INFO: http://www.burndy.com		MFG APRVL: []	
		QA APRVL: C.LINDQUIST 6/27/2017	
		MKT APRVL: []	
PROD FAM: CM&R GROUNDING	DRAWING NO	REV	
PROJECT #:	SIZE	50080196	A
DOCUMENT TYPE: SALES	B	SHEET 1 OF 1	
REL LEVEL: Released			