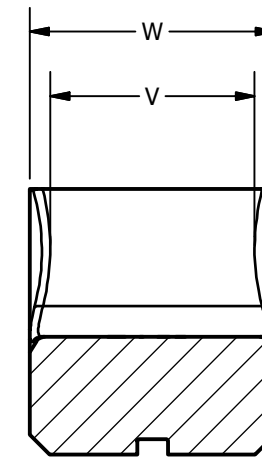
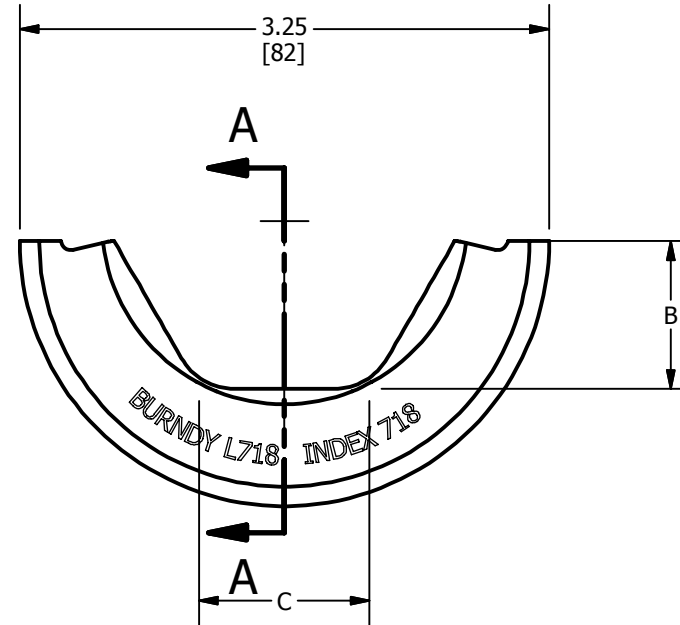
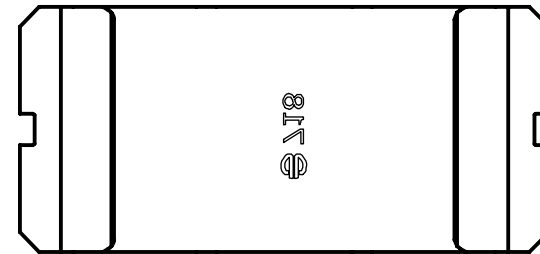
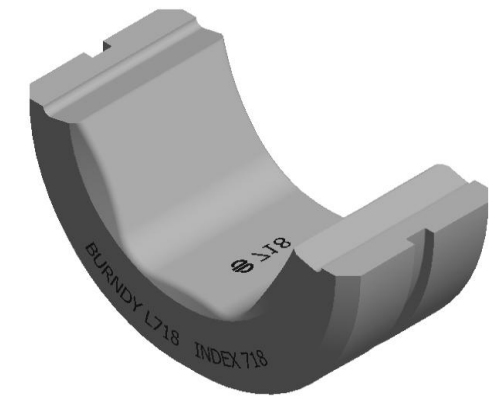


CATALOG NUMBER	DIE INDEX #	B	C	V	W
LCSA1	CSA1	.24 [6]	.28 [7]	.75 [19]	2.50 [64]
LCSA2	CSA2	.30 [8]	.34 [9]	.75 [19]	2.50 [64]
LCSA3	CSA3	.35 [9]	.41 [10]	.75 [19]	2.50 [64]
L15/16 HEX	15/16	.41 [10]	.47 [12]	1.50 [38]	2.50 [64]
LCSA22	CSA22	.41 [10]	.31 [8]	2.00 [51]	2.50 [64]
LCSA24	CSA24	.41 [10]	.41 [10]	2.00 [51]	2.50 [64]
LCSA26	CSA26	.41 [10]	.50 [13]	1.50 [38]	2.50 [64]
LCSA28	CSA28	.41 [10]	.60 [15]	1.50 [38]	2.50 [64]
L1-1/4 HEX	1-1/4	.41 [10]	.63 [16]	1.50 [38]	2.50 [64]
LCSA30	CSA30	.41 [10]	.72 [18]	1.50 [38]	1.50 [38]
LCSA30CU	CSA30	.41 [10]	.72 [18]	1.00 [25]	2.50 [64]
LCSA32	CSA32	.41 [10]	.81 [21]	1.50 [38]	1.50 [38]
LCSA32CU	CSA32CU	.42 [11]	.81 [21]	1.00 [25]	1.50 [38]
LCSA34	CSA34	.42 [11]	.92 [23]	1.50 [38]	1.50 [38]
LCSA34CU	CSA34CU	.42 [11]	.92 [23]	1.00 [25]	1.50 [38]
LCSA36	CSA36	.42 [11]	1.05 [27]	1.50 [38]	1.50 [38]

REV	DATE	DESCRIPTION	ECO	BY	C'H'K.
A	3/29/2017	NEW DRAWING CREATED	46331	SM	MB



SECTION A-A



3D VIEW

**NOTES:**

- MATERIAL: ALLOY 17-4 STAINLESS CONDITION H900.
- DIMENSIONS IN BRACKETS [ ] ARE IN MILLIMETERS ROUNDED OFF TO THE NEAREST MILLIMETER, UNLESS OTHERWISE SPECIFIED AND ARE FOR REFERENCE ONLY.

TO ORDER BURNDY® PRODUCTS CALL		LCSA DIE	
UNITED STATES 1-800-346-4175 (LONDONDERRY, NH)		ITEM NO: --	
CANADA: 1-800-361-6975 (QUEBEC) 1-800-387-6487 (ALL OTHER PROVINCES)		CAT. NO: SEE TABLE	
FOR PRODUCT INFO: <a href="http://www.burndy.com">http://www.burndy.com</a>		DRAWN BY: S.MOORTHY 3/29/2017	
		CHECKER: B.MANIKANDAN 3/29/2017	
		DSN APRVL: P.WASON 5/23/2017	
		MFG APRVL: --	
		QA APRVL: C.LINDQUIST 6/7/2017	
		MKT APRVL: P.SILVA 7/15/2017	
		PROD FAM: --	
		DRAWING NO	
		50080206	
		REV	
		A	
		SHEET 1 OF 1	