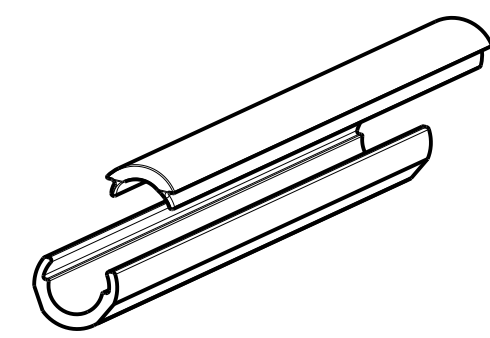
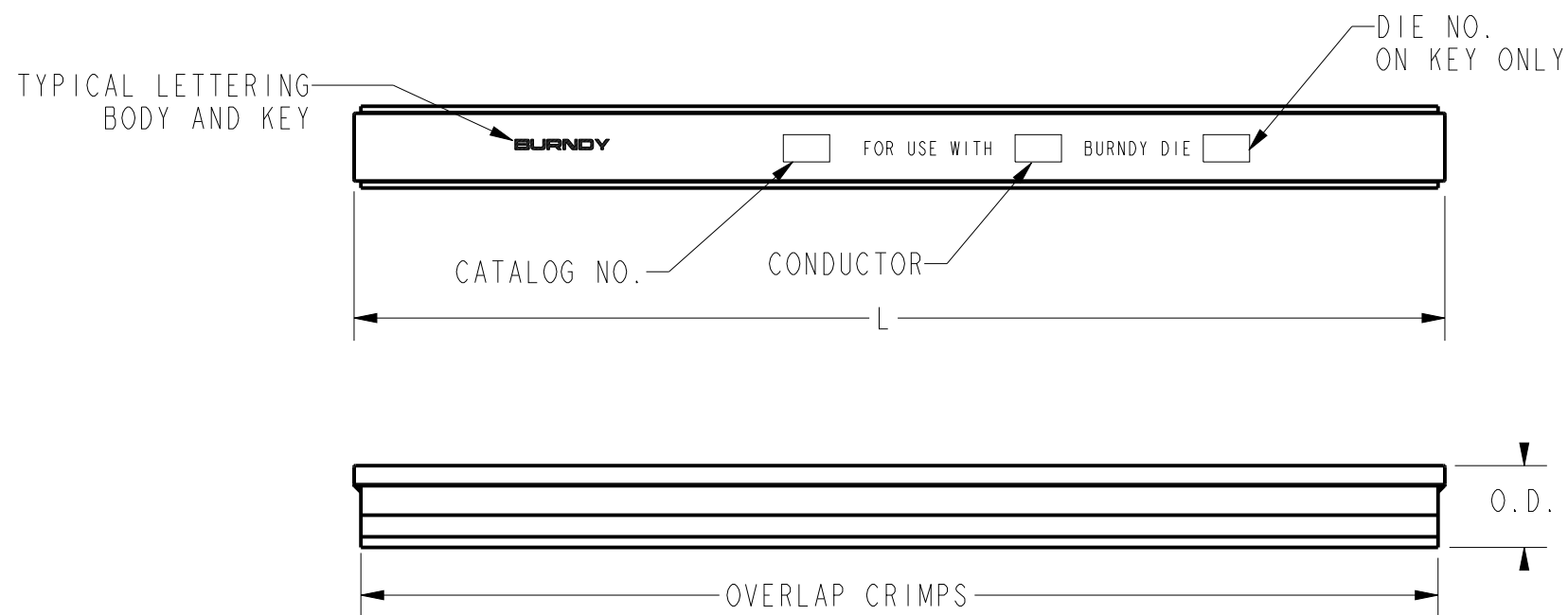
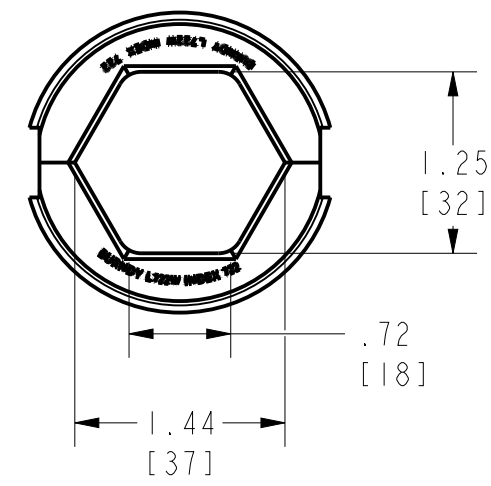
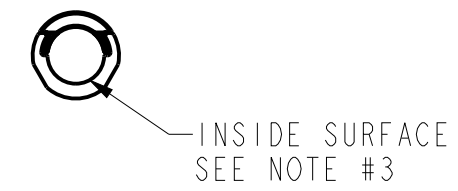


ITEM NUMBER	CATALOG NUMBER	CTC PART NO.	ACCOMMODATES ACCC® CONDUCTOR	L	O.D.	INSTALLATION TOOLING (NOT INCLUDED) OVERLAP CRIMPS	
						BURNDY	
						DIE SETS	TOOL
10061230	YNU39RACCC	600-155-5	AMSTERDAM 380 ACCC	24.00 [610]	1.50 [38]	L722W	Y60BHU OR Y60BHU-D HYPRESS™

REV.	DATE	DESCRIPTION	ECO	BY	C'H'K.
B	04/28/2017 09:12:00 AM	UPDATED AS PER MU	46580	SM	MB



TYPICAL REPAIR SLEEVE EXPLODED VIEW



L722W (=AFTER COMPRESSION)

REPAIR SLEEVE, COMPRESSION CONNECTOR FOR (ACCC® ALUMINUM CONDUCTOR COMPOSITE CORE)

- NOTES:
1. MATERIAL: ALUMINUM
 2. DIMENSIONS IN BRACKETS [] ARE IN MILLIMETERS ROUNDED OFF TO THE NEAREST MILLIMETER, UNLESS OTHERWISE NOTED, AND ARE FOR REFERENCE ONLY.
 3. PENETROX™ HT NOT INCLUDED, MAY BE PURCHASED SEPARATELY.
 4. CONNECTOR IS INDIVIDUALLY PACKAGED & SEALED IN POLYTUBE.

TO ORDER BURNDY® PRODUCTS CALL
 UNITED STATES:
 1-800-346-4175 (LONDONDERRY, NH)
 CANADA:
 1-800-361-6975 (QUEBEC)
 1-800-387-6487 (ALL OTHER PROVINCES)
 FOR PRODUCT INFO: <http://www.burndy.com>

REPAIR SLEEVE (ACCC®)	
ITEM NO:	SEE TABLE
CAT. NO:	SEE TABLE
DRAWN BY:	SMOORTHY 3/9/2017
CHECKER:	MANIKANDAN B 3/9/2017
DSN APPVL:	P. CHAN 3/8/2017
MFG APPVL:	--
QA APPVL:	T. WATTS 3/8/2017
MKT APPVL:	B. CRUTCHER 3/8/2017
PROD FAM:	--
PROJECT #:	--
DOCUMENT TYPE:	Sales
REL LEVEL:	Released



SCALE:	DRAWING NO	REV
1:4	50080854	B

REV: PE0200