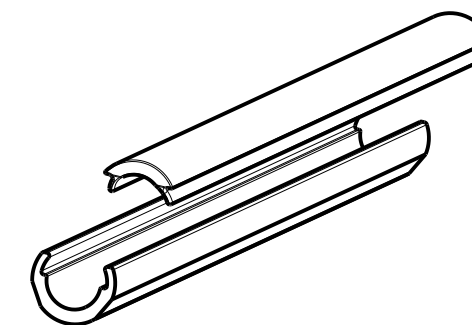
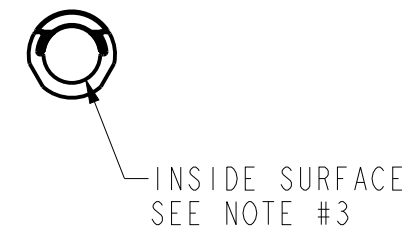
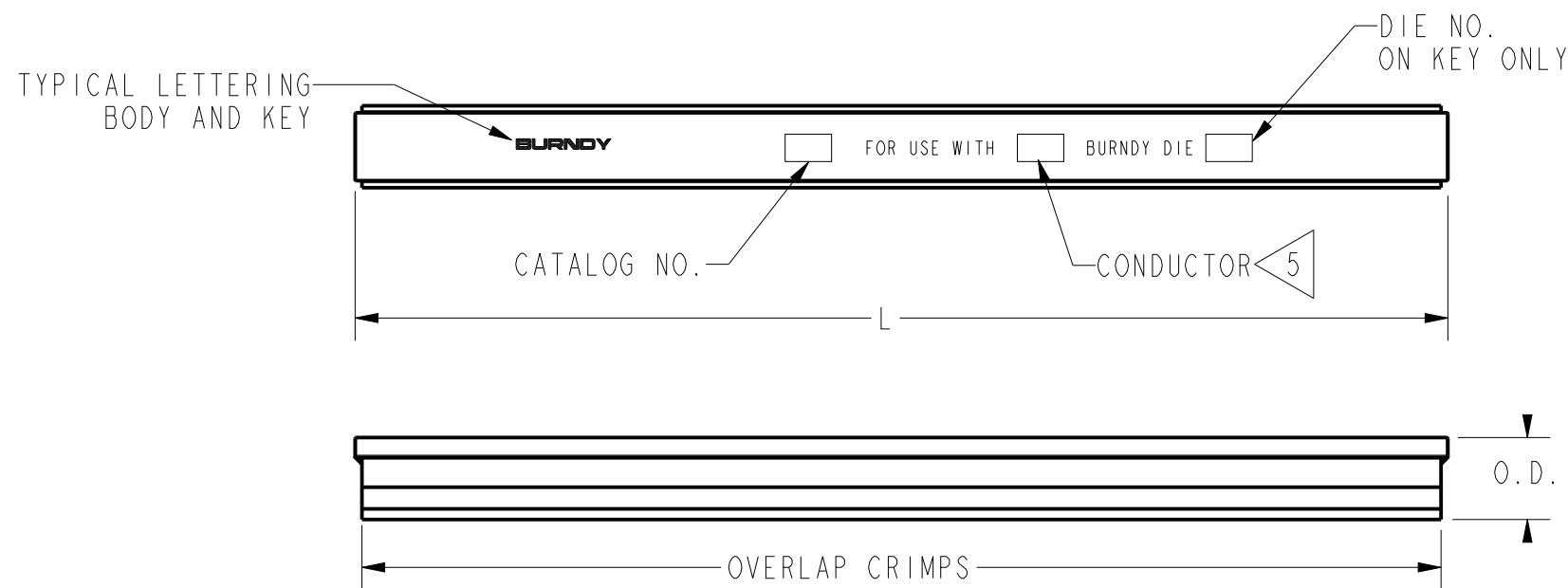
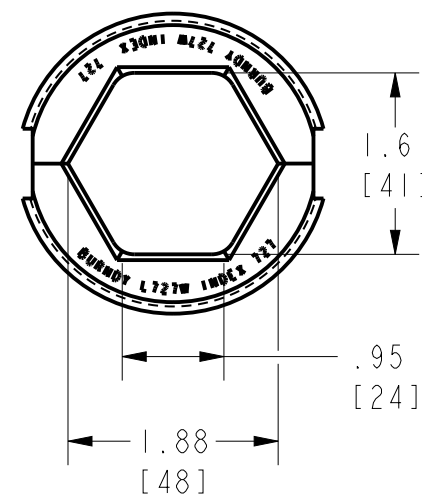


ITEM NUMBER	CATALOG NUMBER	CTC PART NO.	ACCOMMODATES ACCC® CONDUCTOR	L	O.D.	INSTALLATION TOOLING (NOT INCLUDED) OVERLAP CRIMPS	
						BURNDY	
						DIE SETS	TOOL
10065620	YNU49RACCC	600-255-6	MAHAKAM 545mm ²	24.00 [610]	1.97 [50]	L727W	Y60BHU OR Y60BHU-D HYPRESS™

REV.	DATE	DESCRIPTION	ECO	BY	C'H'K.
C	03/27/2017 09:12:00 AM	UPDATED AS PER MU	46580	SM	MB



TYPICAL REPAIR SLEEVE EXPLODED VIEW



L727W (=AFTER COMPRESSION)

NOTES:

1. MATERIAL: ALUMINUM
2. DIMENSIONS IN BRACKETS [] ARE IN MILLIMETERS ROUNDED OFF TO THE NEAREST MILLIMETER, UNLESS OTHERWISE NOTED, AND ARE FOR REFERENCE ONLY.
3. PENETROX™ HT NOT INCLUDED, MAY BE PURCHASED SEPARATELY.
4. CONNECTOR IS INDIVIDUALLY PACKAGED & SEALED IN POLYTUBE.
5. CONNECTOR MARKED WITH MILAN ACCC(O.D. AND TOTAL CROSS SECTION = MAHAKAM ACCC)

REPAIR SLEEVE, COMPRESSION CONNECTOR FOR (ACCC® ALUMINUM CONDUCTOR COMPOSITE CORE)

TO ORDER BURNDY® PRODUCTS CALL		REPAIR SLEEVE (ACCC®)	
UNITED STATES:		ITEM NO: SEE TABLE	
1-800-346-4175 (LONDONDERRY, NH)		CAT. NO: SEE TABLE	
CANADA:		DRAWN BY: SMOORTHY 3/9/2017	
1-800-361-6975 (QUEBEC)		CHECKER: MANIKANDAN B 3/9/2017	
1-800-387-6487 (ALL OTHER PROVINCES)		DSN APPVL: P. CHAN 3/8/2017	
FOR PRODUCT INFO: http://www.burndy.com		MFG APPVL: --	
		QA APPVL: T. WATTS 3/8/2017	
		MKT APPVL: B. CRUTCHER 3/8/2017	
		SCALE: 1:4	
		DRAWING NO	
		50080855	
		REV	
		C	
		SHEET 1 OF 1	

REV: PE0200