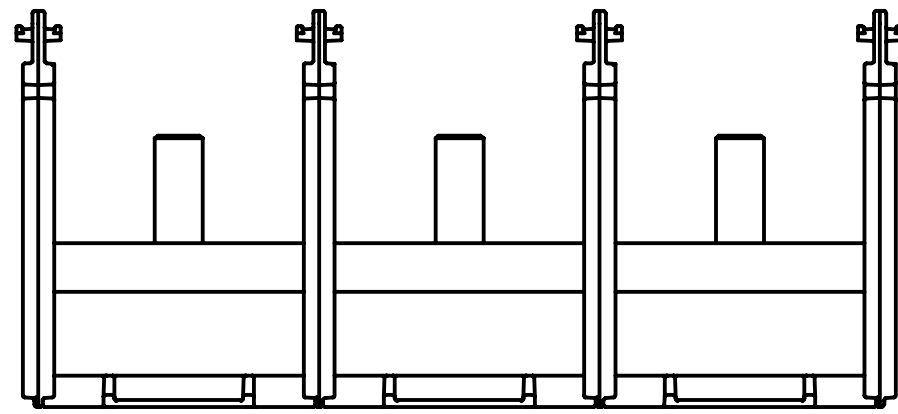
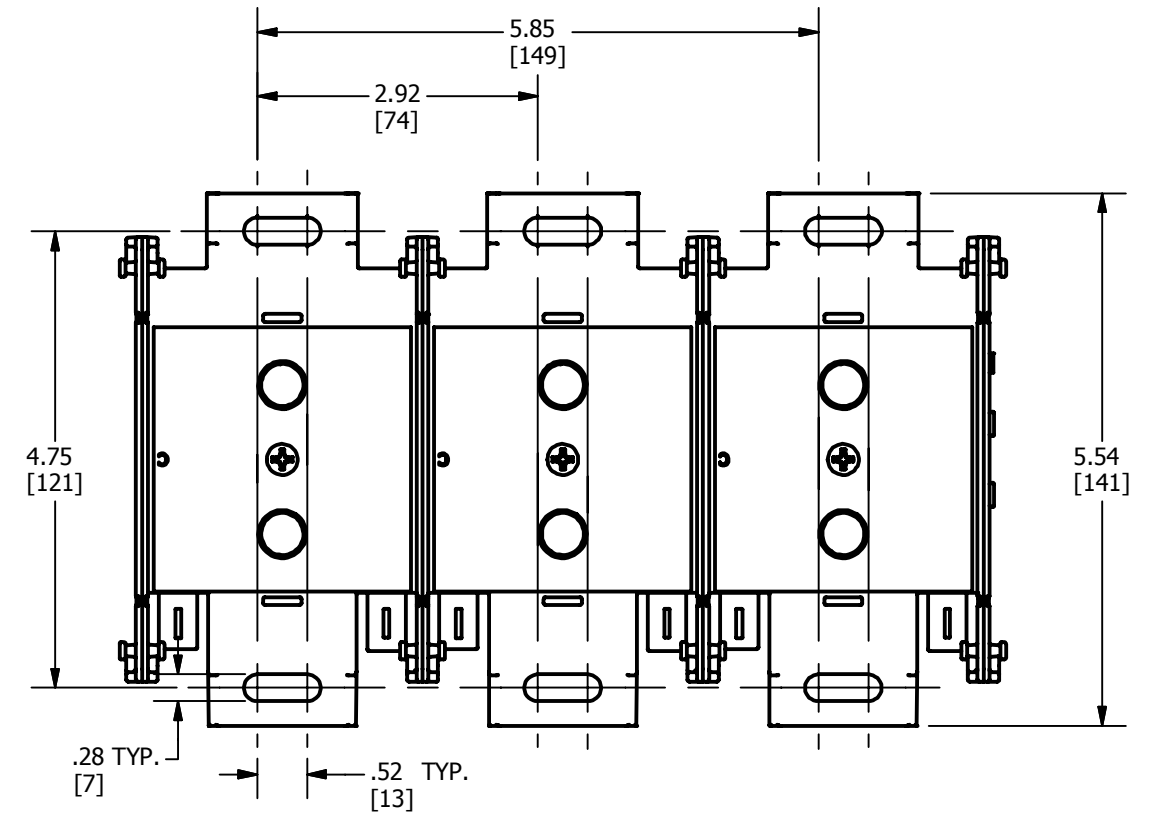
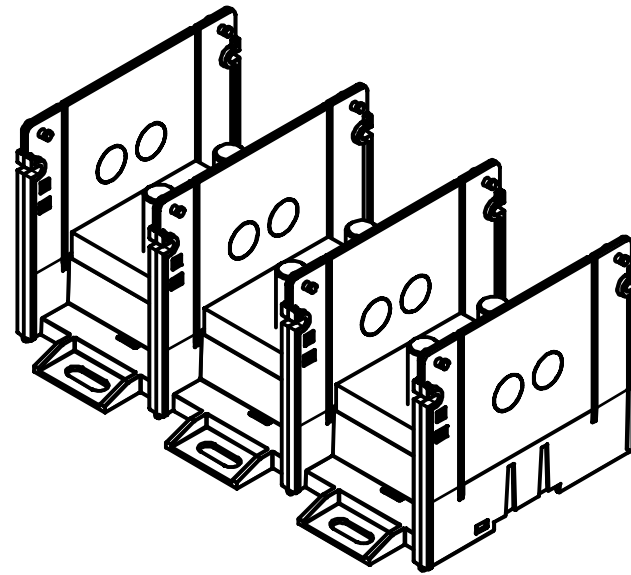


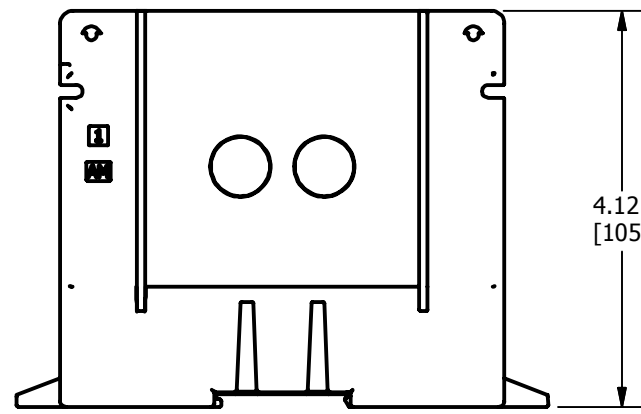
REV	DATE	DESCRIPTION	ECO	BY	CHK.
B	7/20/2017	UPDATED AS PER MU	47175	SM	MB

FEATURES:

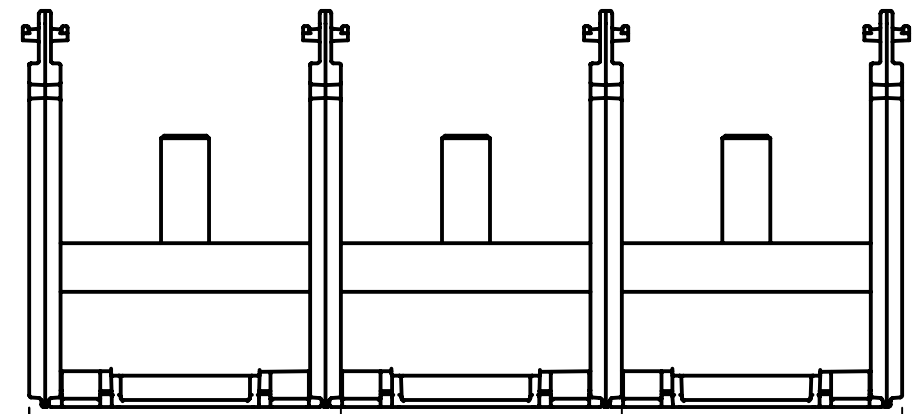
- SUPPLIED WITH A HEX NUT AND SPLIT LOCK WASHER FOR EACH STUD
- ACCOMMODATES BOTH FLEX AND CODE CONDUCTORS
- cULus LISTED TO UL1953 (FILE# E74460)
- AL9CU RATED
- OPTIONAL TOP COVER FOR OPEN STYLE (PART BDBLCSCOVER) FOR ADDED PROTECTION
- 100kA SCCR RATING WITH CORRECT FUSING
- CONTACT CUSTOMER SERVICE FOR ALTERNATE CONFIGURATIONS AT TELEPHONE NUMBER 1 800 346-4175



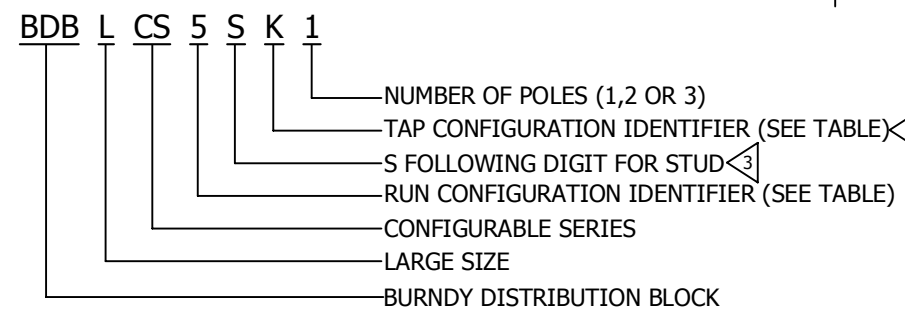
RUN SIDE



STUD TO STUD STYLE



TAP SIDE

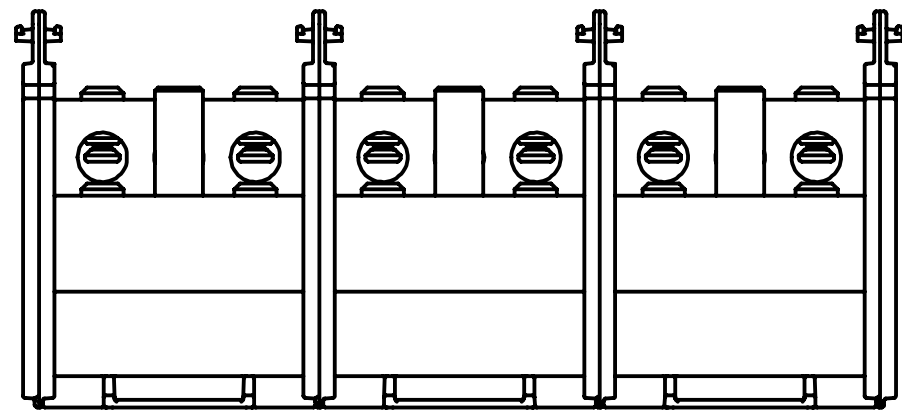
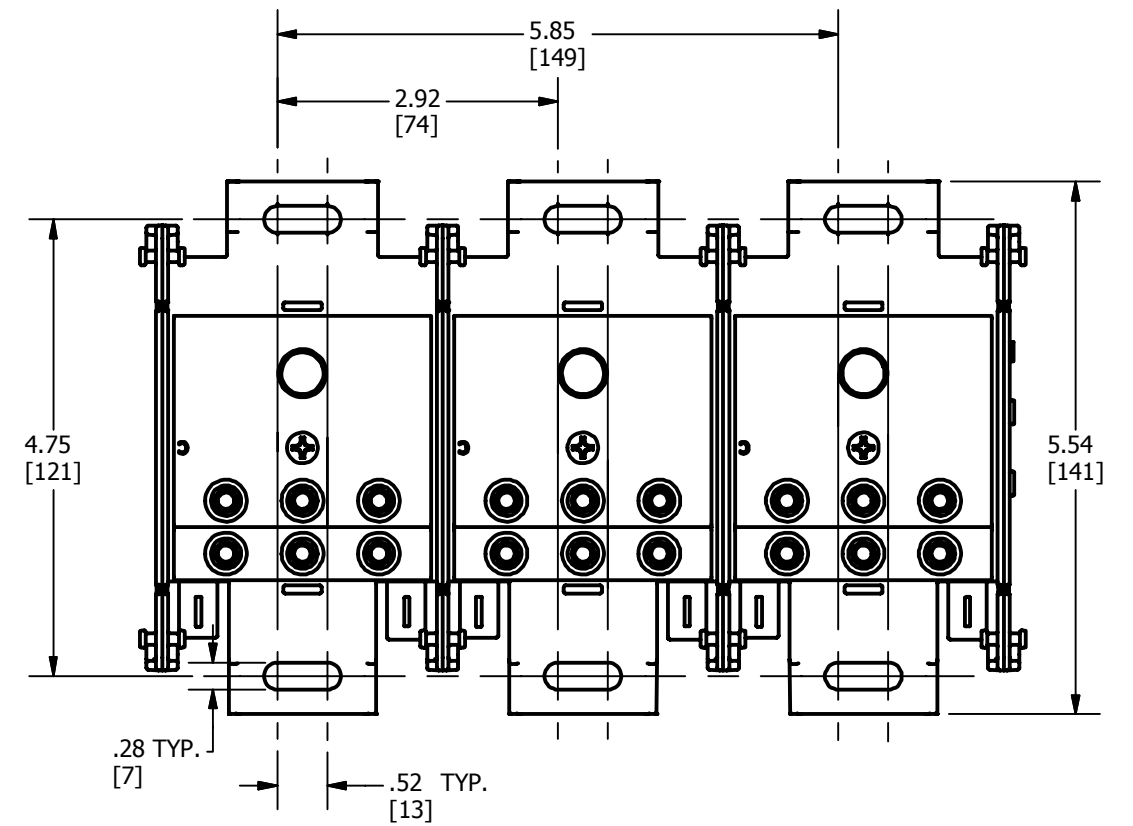


NOTES:

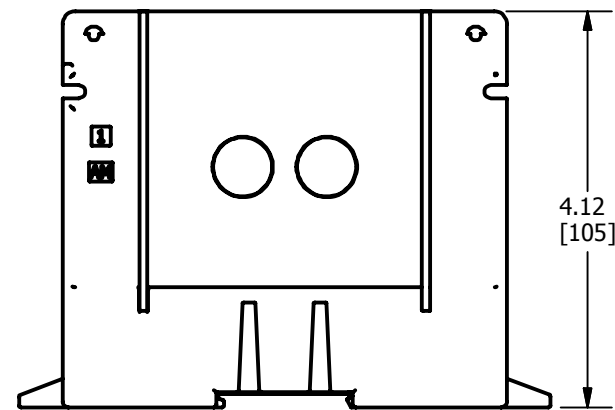
- DIMENSIONS IN BRACKETS [] ARE IN MILLIMETERS ROUNDED OFF TO THE NEAREST MILLIMETER, UNLESS OTHERWISE SPECIFIED AND ARE FOR REFERENCE ONLY.
 - MATERIALS: BASE AND POLE SEPERATING SIDES - NYLON 6/6
BLOCK AND RETENTION SCREWS - TIN PLATED ALUMINUM
OPTIONAL TOP COVER - POLYCARBONATE
BLOCK MOUNTING HARDWARE - STAINLESS STEEL
- 3 FOR STUD TO STUD CONFIGURATIONS THE TAP LETTER WILL BE REPLACED WITH A DIGIT FOLLOWED BY AN "S".

TO ORDER BURNDY® PRODUCTS CALL		LARGE BOX TO STUD DISTRIBUTION BLOCKS	
UNITED STATES 1-800-346-4175 (LONDONDERRY, NH)		ITEM NO: SEE TABLE	
CANADA: 1-800-361-6975 (QUEBEC) 1-800-387-6487 (ALL OTHER PROVINCES)		CAT. NO: SEE TABLE	
FOR PRODUCT INFO: http://www.burndy.com		DRAWN BY: S.MOORTHY 07/04/2017	
		CHECKER: B.MANIKANDAN 07/04/2017	
		DSN APRVL: T.REYNOLDS 17/04/2017	
		MFG APRVL: M.STEVENS 13/04/2017	
		QA APRVL: C.LINDQUIST 22/04/2017	
		MKT APRVL: M.BAILLY 22/04/2017	
		PROD FAM: --	
		DRAWING NO	
		50081546	
		REV	
		B	
		SHEET 1 OF 3	

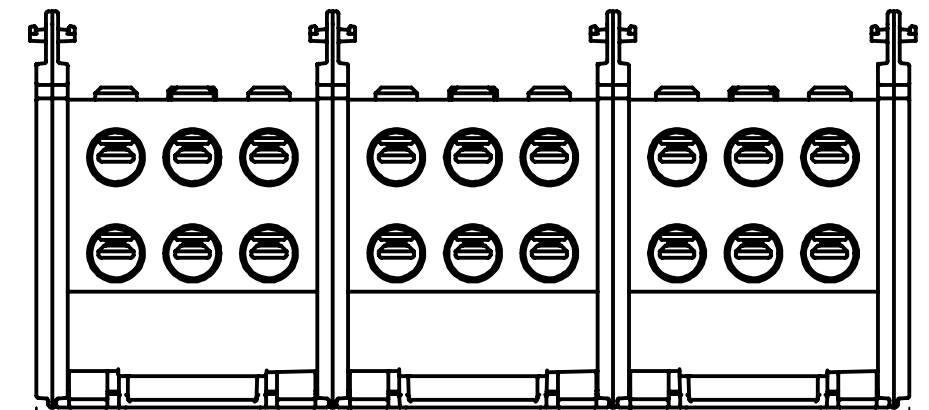




RUN SIDE



BOX TO STUD STYLE



TAP SIDE

TO ORDER BURNDY® PRODUCTS CALL

UNITED STATES
1-800-346-4175 (LONDONDERRY, NH)

CANADA:
1-800-361-6975 (QUEBEC)
1-800-387-6487 (ALL OTHER PROVINCES)

FOR PRODUCT INFO: <http://www.burndy.com>

LARGE BOX TO STUD DISTRIBUTION BLOCKS

ITEM NO: SEE TABLE			<table border="1"> <tr> <th>PROJ. NO.</th> <th>REV</th> </tr> <tr> <td>50081546</td> <td>B</td> </tr> </table>	PROJ. NO.	REV	50081546	B
PROJ. NO.	REV						
50081546	B						
CAT. NO: SEE TABLE							
DRAWN BY: S.MOORTHY	07/04/2017						
CHECKER: B.MANIKANDAN	07/04/2017						
DSN APRVL: T.REYNOLDS	17/04/2017						
MFG APRVL: M.STEVENS	13/04/2017						
QA APRVL: C.LINDQUIST	22/04/2017						
MKT APRVL: M.BAILLY	22/04/2017						
PROD FAM: --	DRAWING NO						
PROJECT #: --	SIZE	50081546					
DOCUMENT TYPE: SALES	B	SHEET 2 OF 3					
REL LEVEL: Released							

REV	DATE	DESCRIPTION	ECO	BY	C'H'K.
B	7/20/2017	UPDATED AS PER MU	47175	SM	MB


BURNDY LARGE DISTRIBUTION BLOCKS

BLOCKS	BLOCK							AMPACITY
	RUN			TAP				
	HOLE LAYOUT	RANGE	TORQUE in-lbs	HOLE LAYOUT	RANGE	TORQUE in-lbs		
OPEN STYLE								
BDBLCS5S5S1	STUD	1/2-13 UNC	480	STUD	1/2-13 UNC	STUD	480	545
BDBLCS5S5S2								
BDBLCS5S5S3								
BDBLCS5SK1	STUD	1/2-13 UNC	480	000	#14 awg - 2/0	#14-#4	80	545
BDBLCS5SK2								
BDBLCS5SK3								
BDBLCS5SA1	STUD	1/2-13 UNC	480	000000	#14 awg - #4	#12-#8 AL	10	545
BDBLCS5SA2								
BDBLCS5SA3								

RUN SIDE	
DIGIT	RANGE
1	1/4-20 UNC
3	3/8-16 UNC
5	1/2-13 UNC

TAP SIDE		
LETTER	HOLE LAYOUT	RANGE
A	000000 000000	#14 awg - #4 awg
B	000 000	
C	00 00	
D	00	#14 awg - #2 awg
E	0	
F	000 000	
G	00 00	#14 awg - 2/0
H	00	
J	0	
K	000 000	#14 awg - 2/0
M	00 00	
N	00	
P	0	#6 awg - 4/0
R	00 00	
T	00	
U	0	#6 awg - 350 kcmil
V	00	
W	0	

REV	DATE	DESCRIPTION	ECO	BY	C'H'K.
B	7/20/2017	UPDATED AS PER MU	47175	SM	MB

TO ORDER BURNDY® PRODUCTS CALL		LARGE BOX TO STUD DISTRIBUTION BLOCKS													
UNITED STATES 1-800-346-4175 (LONDONDERRY, NH)		ITEM NO: SEE TABLE													
CANADA: 1-800-361-6975 (QUEBEC) 1-800-387-6487 (ALL OTHER PROVINCES)		CAT. NO: SEE TABLE													
FOR PRODUCT INFO: http://www.burndy.com		<table border="1"> <tr> <td>DRAWN BY: S.MOORTHY</td> <td>07/04/2017</td> </tr> <tr> <td>CHECKER: B.MANIKANDAN</td> <td>07/04/2017</td> </tr> <tr> <td>DSN APRVL: T.REYNOLDS</td> <td>17/04/2017</td> </tr> <tr> <td>MFG APRVL: M.STEVENS</td> <td>13/04/2017</td> </tr> <tr> <td>QA APRVL: C.LINDQUIST</td> <td>22/04/2017</td> </tr> <tr> <td>MKT APRVL: M.BAILLY</td> <td>22/04/2017</td> </tr> </table>		DRAWN BY: S.MOORTHY	07/04/2017	CHECKER: B.MANIKANDAN	07/04/2017	DSN APRVL: T.REYNOLDS	17/04/2017	MFG APRVL: M.STEVENS	13/04/2017	QA APRVL: C.LINDQUIST	22/04/2017	MKT APRVL: M.BAILLY	22/04/2017
DRAWN BY: S.MOORTHY	07/04/2017														
CHECKER: B.MANIKANDAN	07/04/2017														
DSN APRVL: T.REYNOLDS	17/04/2017														
MFG APRVL: M.STEVENS	13/04/2017														
QA APRVL: C.LINDQUIST	22/04/2017														
MKT APRVL: M.BAILLY	22/04/2017														
<table border="1"> <tr> <td>PROJ #:</td> <td>---</td> <td>SIZE:</td> <td>---</td> </tr> <tr> <td>DOCUMENT TYPE:</td> <td>SALES</td> <td></td> <td></td> </tr> <tr> <td>REL LEVEL:</td> <td>Released</td> <td></td> <td></td> </tr> </table>		PROJ #:	---	SIZE:	---	DOCUMENT TYPE:	SALES			REL LEVEL:	Released				
PROJ #:	---	SIZE:	---												
DOCUMENT TYPE:	SALES														
REL LEVEL:	Released														
DRAWING NO		REV													
50081546		B													
SHEET 3 OF 3															