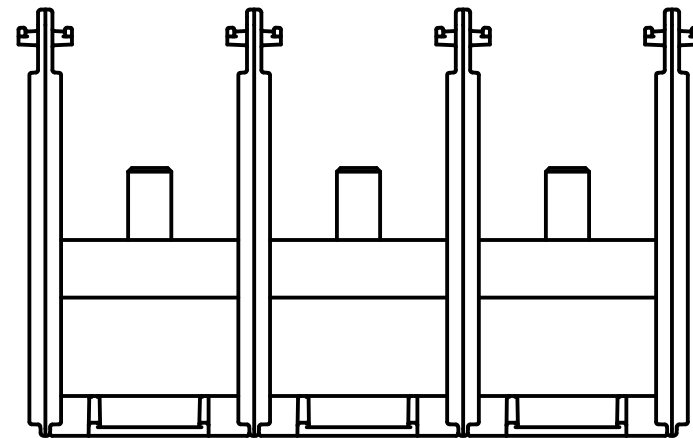
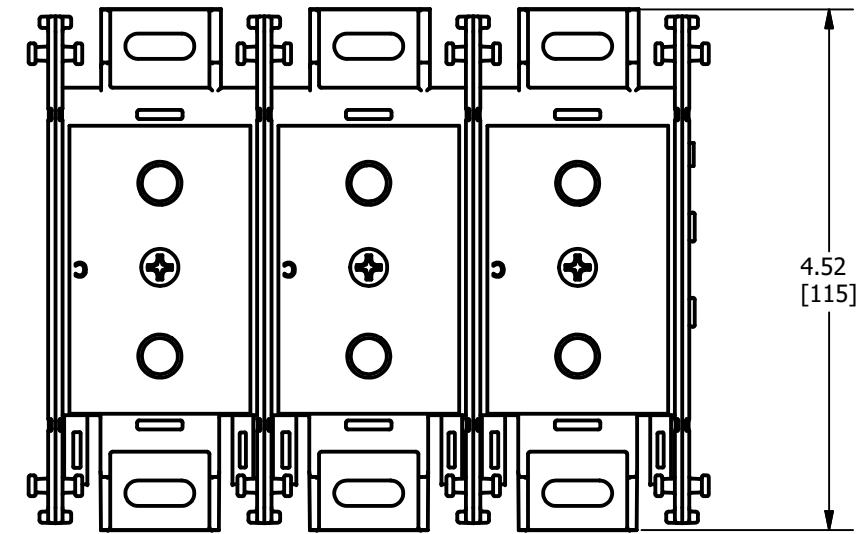
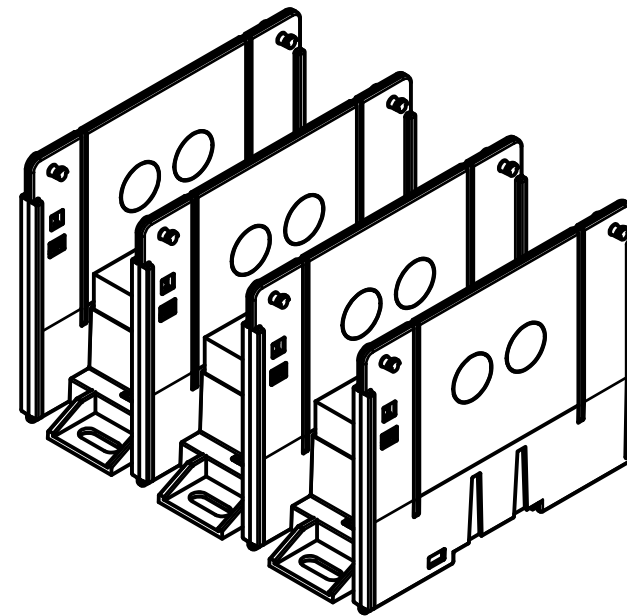


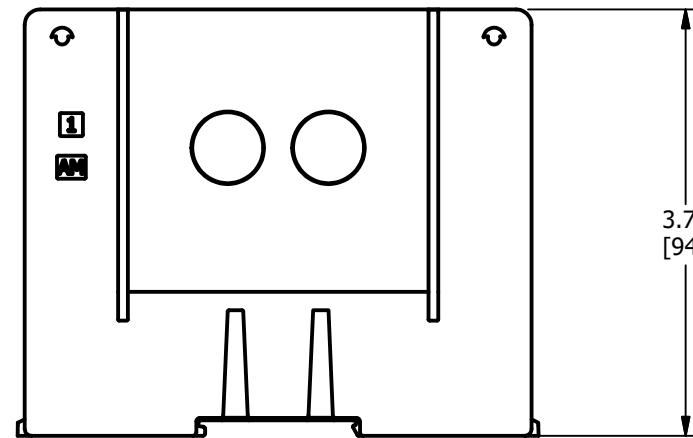
REV	DATE	DESCRIPTION	ECO	BY	C'H'K.
C	02/11/2020	UPDATED TABLE DATA	53018	JL	TR

**FEATURES:**

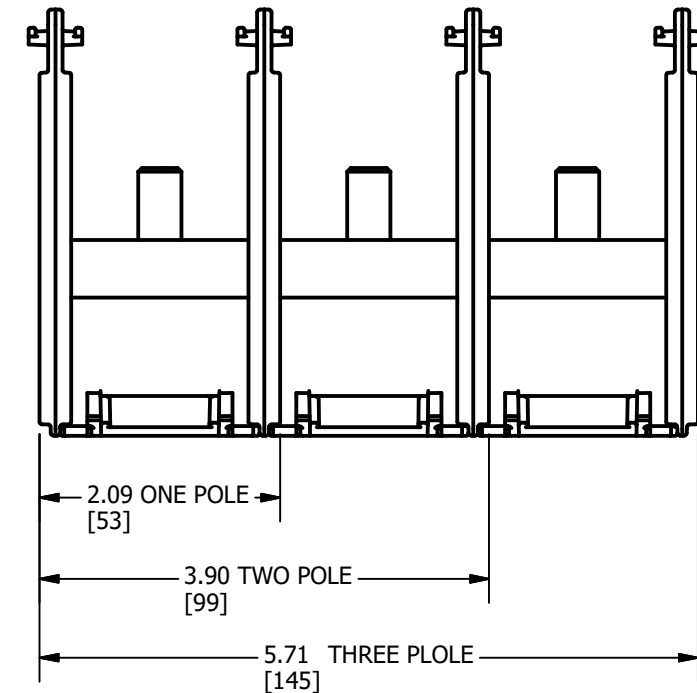
- SUPPLIED WITH A HEX NUT AND SPLIT LOCK WASHER FOR EACH STUD
- ACCOMMODATES BOTH FLEX AND CODE CONDUCTORS
- cULus LISTED TO UL1953 (FILE# E74460)
- AL9CU RATED
- OPTIONAL TOP COVER FOR OPEN STYLE (PART BDBMCSCOVER) FOR ADDED PROTECTION
- 100kA SCCR RATING WITH CORRECT FUSING
- 600V VOLTAGE RATING
- CONTACT CUSTOMER SERVICE FOR ALTERNATE CONFIGURATIONS AT TELEPHONE NUMBER 1 800 346-417



RUN SIDE



STUD TO STUD STYLE



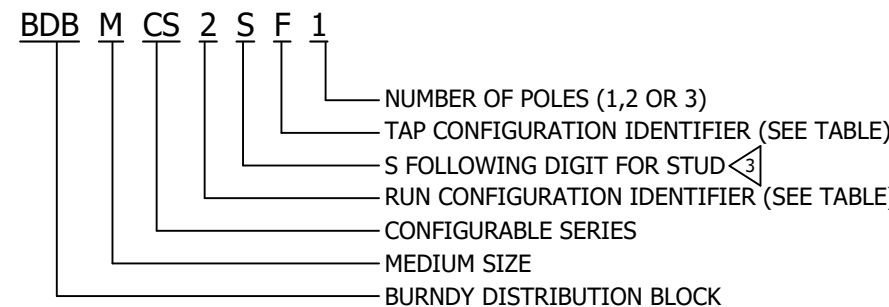
TAP SIDE

**NOTES:**

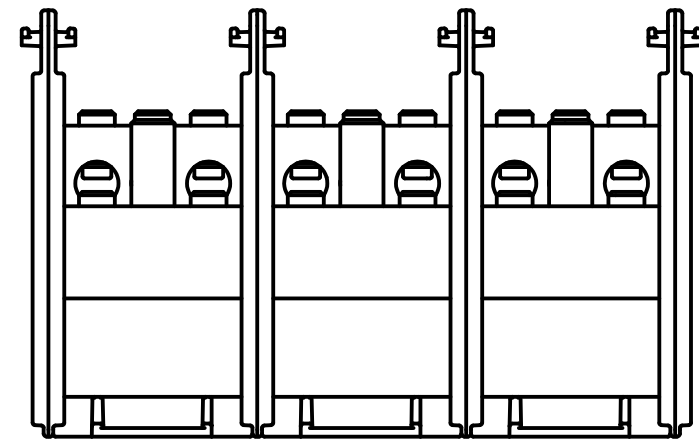
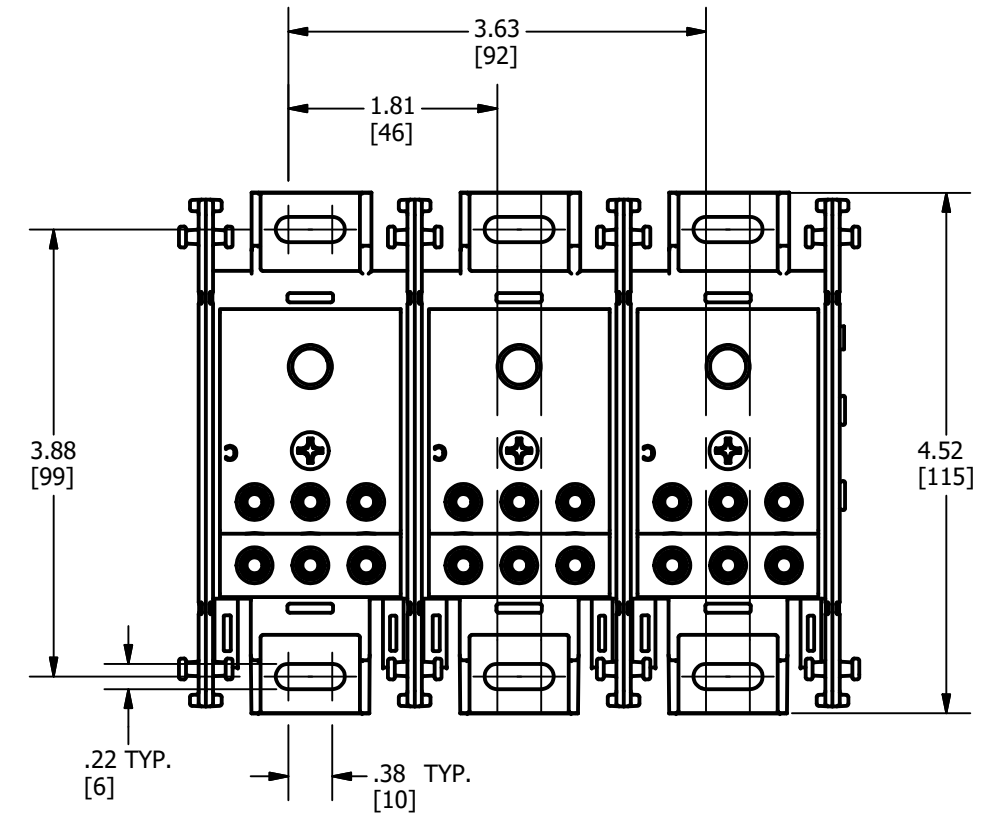
1. DIMENSIONS IN BRACKETS [ ] ARE IN MILLIMETERS ROUNDED OFF TO THE NEAREST MILLIMETER, UNLESS OTHERWISE SPECIFIED AND ARE FOR REFERENCE ONLY.

2. MATERIALS: BASE AND POLE SEPERATING SIDES - NYLON 6/6  
 BLOCK AND RETENTION SCREWS - TIN PLATED ALUMINUM  
 OPTIONAL TOP COVER - POLYCARBONATE  
 BLOCK MOUNTING HARDWARE - STAINLESS STEEL

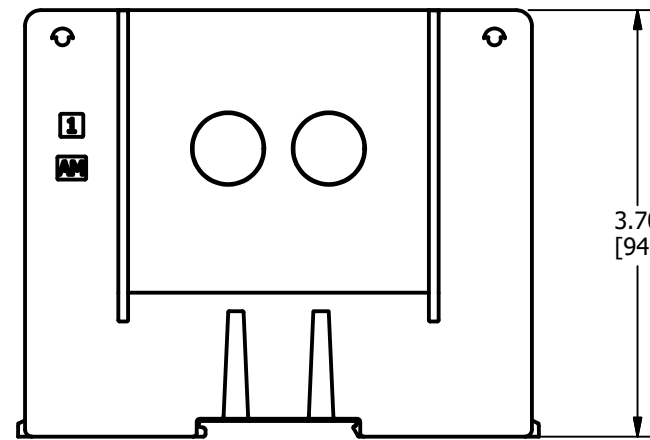
3 FOR STUD TO STUD CONFIGURATIONS THE TAP LETTER WILL BE REPLACED WITH A DIGIT FOLLOWED BY AN "S".



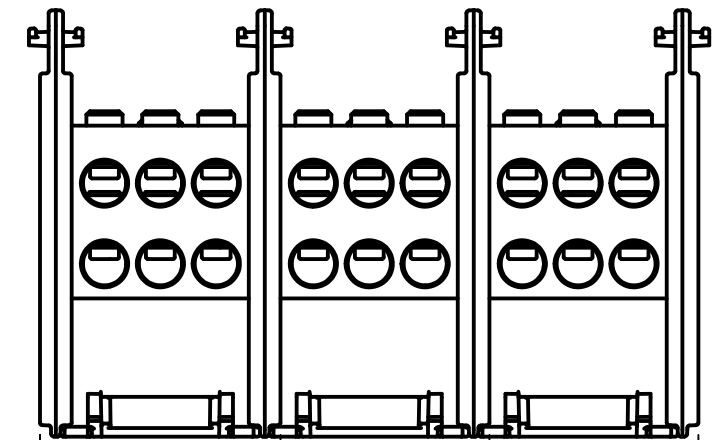
TO ORDER BURNDY® PRODUCTS CALL  UNITED STATES 1-800-346-4175 (LONDONDERRY, NH)  CANADA: 1-800-361-6975 (QUEBEC) 1-800-387-6487 (ALL OTHER PROVINCES)  FOR PRODUCT INFO: <a href="http://www.burndy.com">http://www.burndy.com</a>	MEDIUM BOX TO STUD	
	ITEM NO: SEE TABLE CAT. NO: SEE TABLE DRAWN BY: S.MOORTHY 4/7/2017 CHECKER: B.MANIKANDAN 4/7/2017 DSN APRVL: T.REYNOLDS 4/12/2017 MFG APRVL: M.STEVENS 4/16/2017 QA APRVL: C.LINDQUIST 4/21/2017 MKT APRVL: M.BAILLY 4/21/2017	
PROJ #: -- DOCUMENT TYPE: SALES REL LEVEL: Released	SIZE <b>B</b>	DRAWING NO <b>50081547</b> SHEET 1 OF 3
		REV <b>C</b>



RUN SIDE



BOX TO STUD STYLE



TAP SIDE

TO ORDER BURNDY® PRODUCTS CALL

UNITED STATES  
1-800-346-4175 (LONDONDERRY, NH)

CANADA:  
1-800-361-6975 (QUEBEC)  
1-800-387-6487 (ALL OTHER PROVINCES)

FOR PRODUCT INFO: <http://www.burndy.com>

MEDIUM BOX TO STUD

ITEM NO: SEE TABLE

CAT. NO: SEE TABLE

DRAWN BY: S.MOORTHY 4/7/2017

CHECKER: B.MANIKANDAN 4/7/2017

DSN APRVL: T.REYNOLDS 4/12/2017

MFG APRVL: M.STEVENS 4/16/2017

QA APRVL: C.LINDQUIST 4/21/2017

MKT APRVL: M.BAILLY 4/21/2017



PROJ #: --

SIZE: B

REL LEVEL: Released

DRAWING NO

50081547

SHEET 2 OF 3

REV	DATE	DESCRIPTION	ECO	BY	C'H'K.
C	02/11/2020	UPDATED TABLE DATA	53018	JL	TR

BURNDY MEDIUM DISTRIBUTION BLOCKS							
BLOCKS	BLOCK						AMPACITY
	RUN			TAP			
OPEN STYLE	HOLE LAYOUT	RANGE	TORQUE in-lbs	HOLE LAYOUT	RANGE	TORQUE in-lbs	
BDBMCS3S3S1	STUD	3/8-16 UNC	240	STUD	3/8-16 UNC	240	420
BDBMCS3S3S2							
BDBMCS3S3S3							
BDBMCS3SF1	STUD	3/8-16 UNC	240	OOO OOO (6)	#14 awg - #2 awg B, C, H, I, K, DLO	80	420
BDBMCS3SF2							
BDBMCS3SF3							
BDBMCS3SM1	STUD	3/8-16 UNC	240	OO OO (4)	#14 awg - 2/0 B, C, H, I, K, DLO	80	420
BDBMCS3SM2							
BDBMCS3SM3							

RUN SIDE	
DIGIT	RANGE
1	1/4-20 UNC
3	3/8-16 UNC
6	1/2-13 UNC

TAP SIDE		
LETTER	HOLE LAYOUT	RANGE
A	OOOOOO OOOOOO	#14 awg - #4 awg
B	OOO OOO	
C	OO OO	
D	OO	#14 awg - #2 awg
E	O	
F	OOO OOO	
G	OO OO	
H	OO	#14 awg - 2/0
J	O	
K	OOO OOO	
M	OO OO	#6 awg - 4/0
N	OO	
P	O	#6 awg - 350 kcmil
R	OO OO	
T	OO	
U	O	#4 awg - 500 kcmil
V	OO	
W	O	

REV	DATE	DESCRIPTION	ECO	BY	C'H'K.
C	02/11/2020	UPDATED TABLE DATA	53018	JL	TR

TO ORDER BURNDY® PRODUCTS CALL		MEDIUM BOX TO STUD													
UNITED STATES 1-800-346-4175 (LONDONDERRY, NH)		ITEM NO: SEE TABLE													
CANADA: 1-800-361-6975 (QUEBEC) 1-800-387-6487 (ALL OTHER PROVINCES)		CAT. NO: SEE TABLE													
FOR PRODUCT INFO: <a href="http://www.burndy.com">http://www.burndy.com</a>		<table border="1"> <tr> <td>DRAWN BY: S.MOORTHY</td> <td>4/7/2017</td> </tr> <tr> <td>CHECKER: B.MANIKANDAN</td> <td>4/7/2017</td> </tr> <tr> <td>DSN APRVL: T.REYNOLDS</td> <td>4/12/2017</td> </tr> <tr> <td>MFG APRVL: M.STEVENS</td> <td>4/16/2017</td> </tr> <tr> <td>QA APRVL: C.LINDQUIST</td> <td>4/21/2017</td> </tr> <tr> <td>MKT APRVL: M.BAILLY</td> <td>4/21/2017</td> </tr> </table>		DRAWN BY: S.MOORTHY	4/7/2017	CHECKER: B.MANIKANDAN	4/7/2017	DSN APRVL: T.REYNOLDS	4/12/2017	MFG APRVL: M.STEVENS	4/16/2017	QA APRVL: C.LINDQUIST	4/21/2017	MKT APRVL: M.BAILLY	4/21/2017
DRAWN BY: S.MOORTHY	4/7/2017														
CHECKER: B.MANIKANDAN	4/7/2017														
DSN APRVL: T.REYNOLDS	4/12/2017														
MFG APRVL: M.STEVENS	4/16/2017														
QA APRVL: C.LINDQUIST	4/21/2017														
MKT APRVL: M.BAILLY	4/21/2017														
<table border="1"> <tr> <td>PROJ #:</td> <td>SALES</td> </tr> <tr> <td>REL LEVEL:</td> <td>Released</td> </tr> </table>		PROJ #:	SALES	REL LEVEL:	Released	<table border="1"> <tr> <td>DRAWING NO</td> <td>REV</td> </tr> <tr> <td>50081547</td> <td>C</td> </tr> <tr> <td>SIZE</td> <td>SHEET 3 OF 3</td> </tr> <tr> <td>B</td> <td></td> </tr> </table>		DRAWING NO	REV	50081547	C	SIZE	SHEET 3 OF 3	B	
PROJ #:	SALES														
REL LEVEL:	Released														
DRAWING NO	REV														
50081547	C														
SIZE	SHEET 3 OF 3														
B															