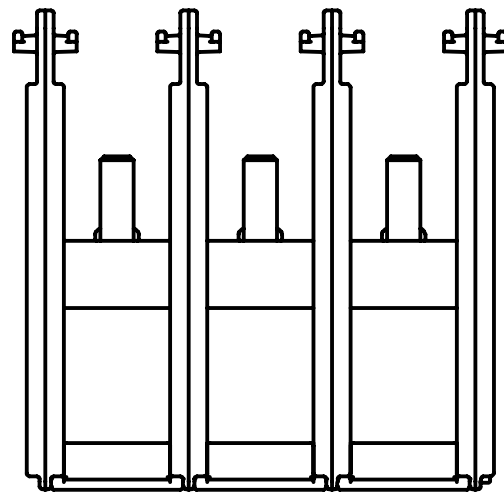
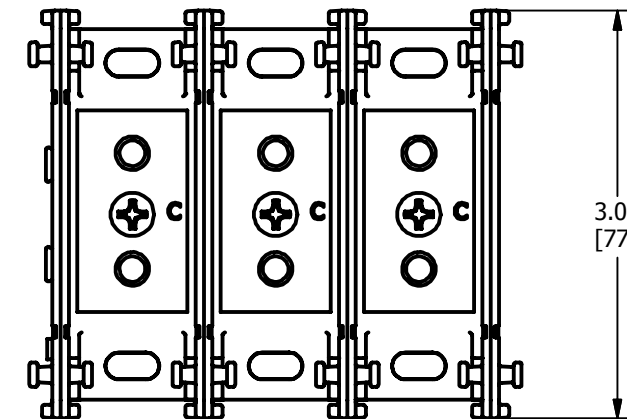
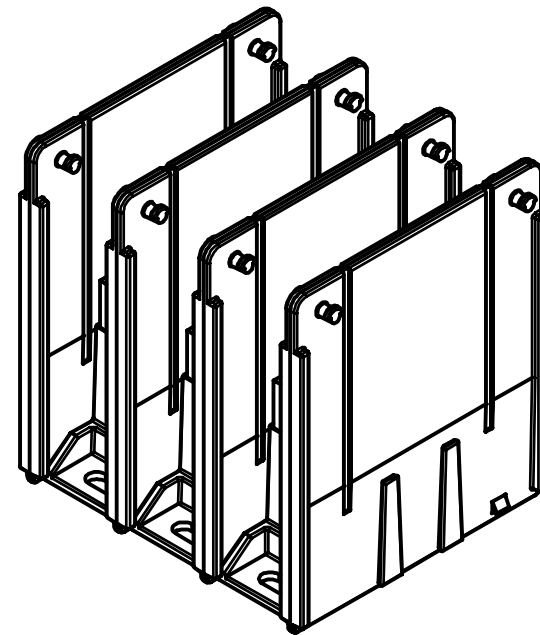


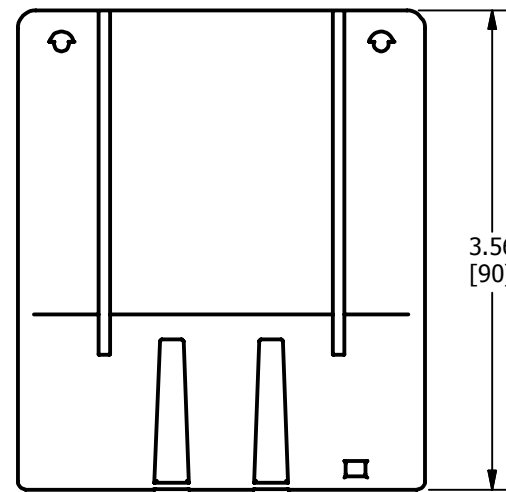
REV	DATE	DESCRIPTION	ECO	BY	C'H.K.
B	7/20/2017	UPDATED AS PER MU	47175	SM	MB

FEATURES:

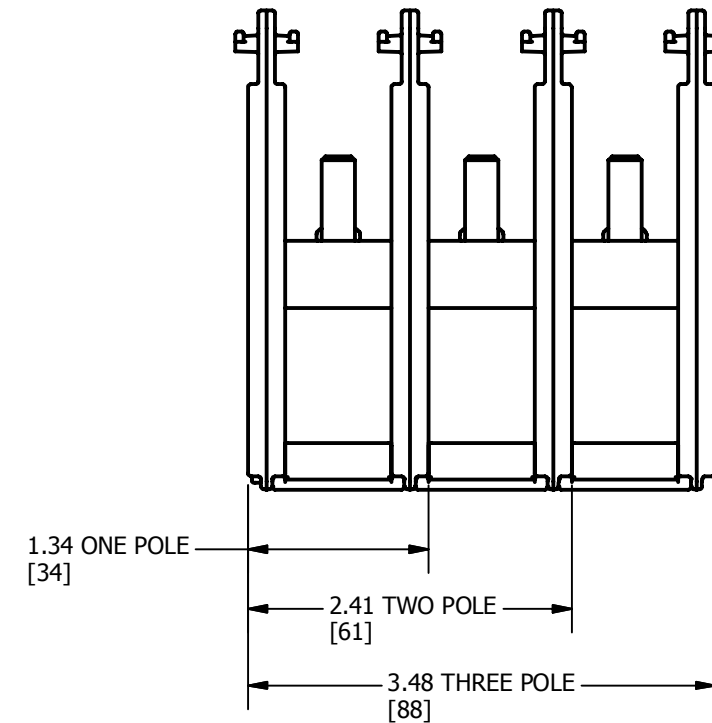
- SUPPLIED WITH A HEX NUT AND SPLIT LOCK WASHER FOR EACH STUD
- ACCOMMODATES BOTH FLEX AND CODE CONDUCTORS
- cULus LISTED TO UL1953 (FILE# E74460)
- AL9CU RATED
- OPTIONAL TOP COVER FOR OPEN STYLE (PART BDBSCSCOVER) FOR ADDED PROTECTION
- 100KA SCCR RATING WITH CORRECT FUSING
- CONTACT CUSTOMER SERVICE FOR ALTERNATE CONFIGURATIONS AT TELEPHONE NUMBER 1 800 346-4175



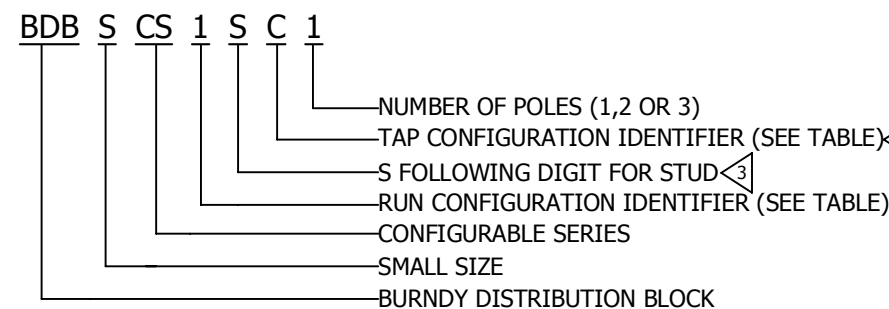
RUN SIDE



FINGER SAFE STYLE



TAP SIDE

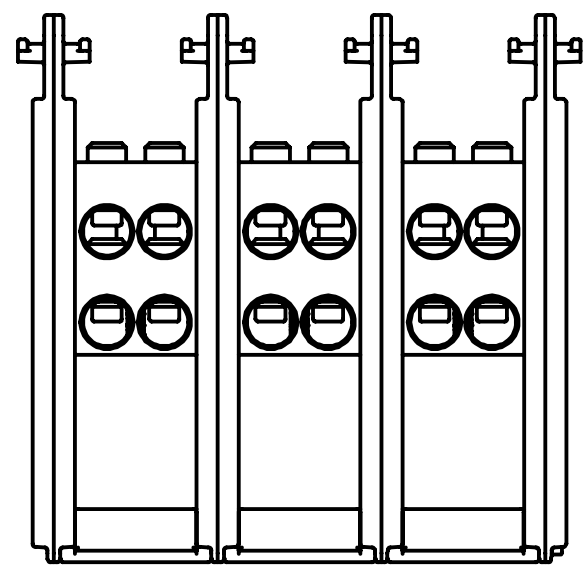
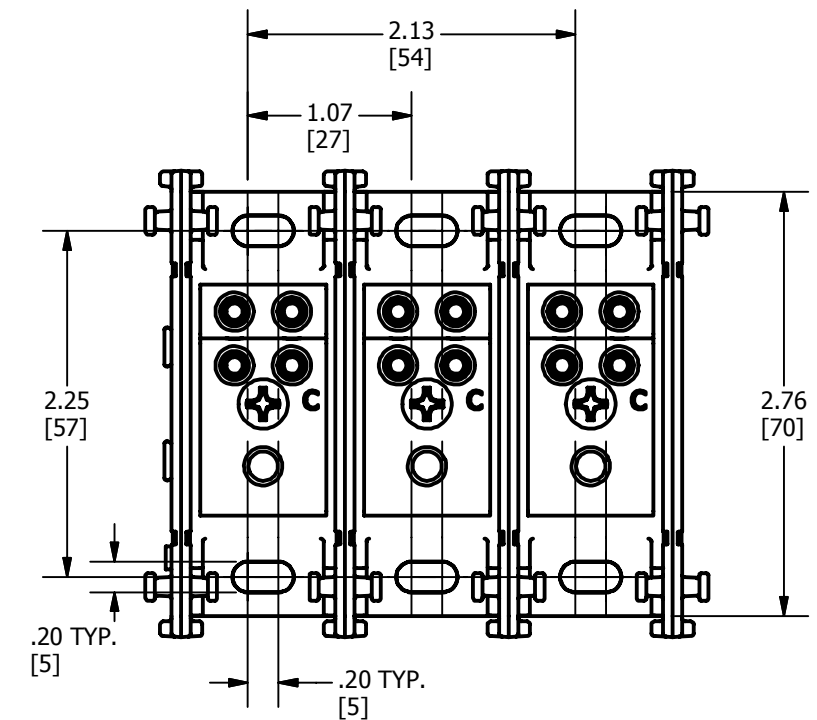


NOTES:

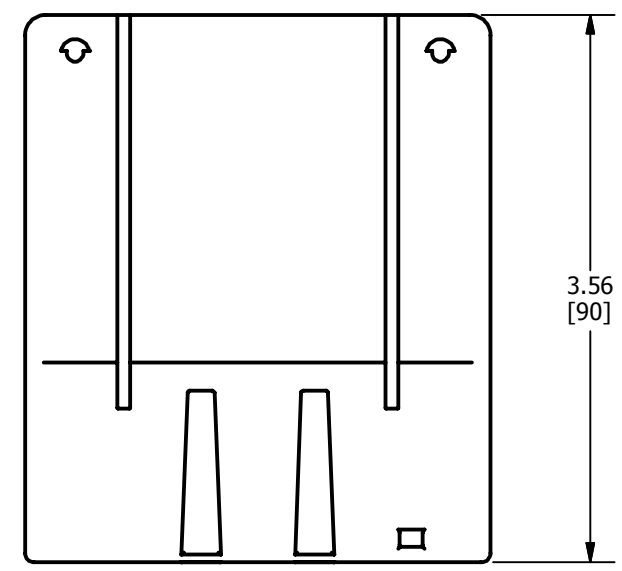
- DIMENSIONS IN BRACKETS [] ARE IN MILLIMETERS ROUNDED OFF TO THE NEAREST MILLIMETER, UNLESS OTHERWISE SPECIFIED AND ARE FOR REFERENCE ONLY.
- MATERIALS: BASE AND POLE SEPERATING SIDES - NYLON 6/6
BLOCK AND RETENTION SCREWS - TIN PLATED ALUMINUM
FINGER SAFE COVERS - POLYCARBONATE
BLOCK MOUNTING HARDWARE - STAINLESS STEEL

3 FOR STUD TO STUD CONFIGURATIONS THE TAP LETTER WILL BE REPLACED WITH A DIGIT FOLLOWED BY AN "S".

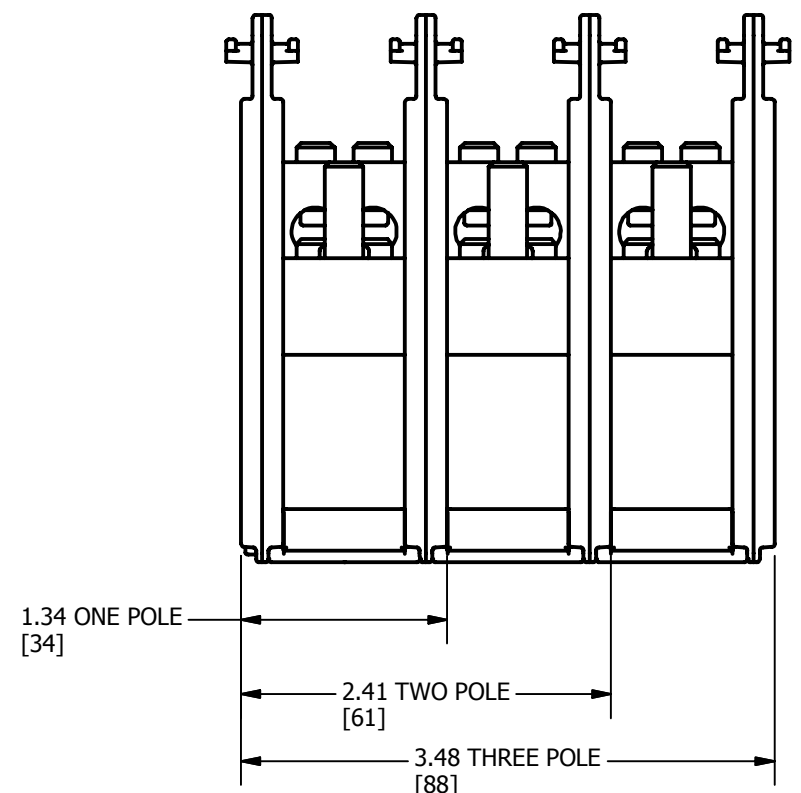
TO ORDER BURNDY® PRODUCTS CALL		SMALL BOX TO STUD DISTRIBUTION BLOCKS													
UNITED STATES 1-800-346-4175 (LONDONDERRY, NH)		ITEM NO: SEE TABLE													
CANADA: 1-800-361-6975 (QUEBEC) 1-800-387-6487 (ALL OTHER PROVINCES)		CAT. NO: SEE TABLE													
FOR PRODUCT INFO: http://www.burndy.com		<table border="1"> <tr> <td>DRAWN BY: S.MOORTHY</td> <td>07/04/2017</td> </tr> <tr> <td>CHECKER: B.MANIKANDAN</td> <td>07/04/2017</td> </tr> <tr> <td>DSN APRVL: T.REYNOLDS</td> <td>13/04/2017</td> </tr> <tr> <td>MFG APRVL: M.STEVENS</td> <td>17/04/2017</td> </tr> <tr> <td>QA APRVL: C.LINDQUIST</td> <td>22/04/2017</td> </tr> <tr> <td>MKT APRVL: M.BAILLY</td> <td>22/04/2017</td> </tr> </table>		DRAWN BY: S.MOORTHY	07/04/2017	CHECKER: B.MANIKANDAN	07/04/2017	DSN APRVL: T.REYNOLDS	13/04/2017	MFG APRVL: M.STEVENS	17/04/2017	QA APRVL: C.LINDQUIST	22/04/2017	MKT APRVL: M.BAILLY	22/04/2017
DRAWN BY: S.MOORTHY	07/04/2017														
CHECKER: B.MANIKANDAN	07/04/2017														
DSN APRVL: T.REYNOLDS	13/04/2017														
MFG APRVL: M.STEVENS	17/04/2017														
QA APRVL: C.LINDQUIST	22/04/2017														
MKT APRVL: M.BAILLY	22/04/2017														
PROJ #:		SIZE	DRAWING NO												
DOCUMENT TYPE: SALES		B	50081548												
REL LEVEL: Released			SHEET 1 OF 3												
			REV												
			B												



RUN SIDE



BOX TO STUD STYLE



TAP SIDE

TO ORDER BURNDY® PRODUCTS CALL		SMALL BOX TO STUD DISTRIBUTION BLOCKS													
UNITED STATES 1-800-346-4175 (LONDONDERRY, NH)		ITEM NO: SEE TABLE													
CANADA: 1-800-361-6975 (QUEBEC) 1-800-387-6487 (ALL OTHER PROVINCES)		CAT. NO: SEE TABLE													
FOR PRODUCT INFO: http://www.burndy.com		<table border="1"> <tr> <td>DRAWN BY: S.MOORTHY</td> <td>07/04/2017</td> </tr> <tr> <td>CHECKER: B.MANIKANDAN</td> <td>07/04/2017</td> </tr> <tr> <td>DSN APRVL: T.REYNOLDS</td> <td>13/04/2017</td> </tr> <tr> <td>MFG APRVL: M.STEVENS</td> <td>17/04/2017</td> </tr> <tr> <td>QA APRVL: C.LINDQUIST</td> <td>22/04/2017</td> </tr> <tr> <td>MKT APRVL: M.BAILLY</td> <td>22/04/2017</td> </tr> </table>		DRAWN BY: S.MOORTHY	07/04/2017	CHECKER: B.MANIKANDAN	07/04/2017	DSN APRVL: T.REYNOLDS	13/04/2017	MFG APRVL: M.STEVENS	17/04/2017	QA APRVL: C.LINDQUIST	22/04/2017	MKT APRVL: M.BAILLY	22/04/2017
DRAWN BY: S.MOORTHY	07/04/2017														
CHECKER: B.MANIKANDAN	07/04/2017														
DSN APRVL: T.REYNOLDS	13/04/2017														
MFG APRVL: M.STEVENS	17/04/2017														
QA APRVL: C.LINDQUIST	22/04/2017														
MKT APRVL: M.BAILLY	22/04/2017														
<table border="1"> <tr> <td>PROJ #:</td> <td>---</td> <td>SIZE:</td> <td>B</td> </tr> <tr> <td>DOCUMENT TYPE:</td> <td>SALES</td> <td>DRAWING NO:</td> <td>50081548</td> </tr> <tr> <td>REL LEVEL:</td> <td>Released</td> <td>REV:</td> <td>B</td> </tr> </table>		PROJ #:	---	SIZE:	B	DOCUMENT TYPE:	SALES	DRAWING NO:	50081548	REL LEVEL:	Released	REV:	B		
PROJ #:	---	SIZE:	B												
DOCUMENT TYPE:	SALES	DRAWING NO:	50081548												
REL LEVEL:	Released	REV:	B												

REV	DATE	DESCRIPTION	ECO	BY	C'H'K.
B	7/20/2017	UPDATED AS PER MU	47175	SM	MB

BURNDY SMALL DISTRIBUTION BLOCKS

BLOCKS	BLOCKS								AMPACITY
	RUN				TAP				
	HOLE LAYOUT	RANGE	TORQUE in-lbs		HOLE LAYOUT	RANGE	TORQUE in-lbs		
BDBSCS1S1S1	STUD	1/4-20 UNC	STUD	80	STUD	1/4-20 UNC	STUD	80	310
BDBSCS1S1S2									
BDBSCS1S1S3									
BDBSCS1SC1	STUD	1/4-20 UNC	#14-#6	80	OO OO (4)	#14 awg - #4 AWG B, C, H, I, K, DLO	#14-#6	80	310
BDBSCS1SC2			#4-2/0	120			#4	120	
BDBSCS1SC3									

RUN SIDE

DIGIT	HOLE LAYOUT	RANGE
1	O	1/4-20 UNC
3	OO	3/8-16 UNC
5	O	1/2-13 UNC

TAP SIDE

LETTER	HOLE LAYOUT	RANGE
A	OOOOOO OOOOOO	#14 awg - #4 awg
B	OOO OOO	
C	OO OO	
D	OO	
E	O	#14 awg - #2 awg
F	OOO OOO	
G	OO OO	
H	OO	
J	O	#14 awg - 2/0
K	OOO OOO	
M	OO OO	
N	OO	#6 awg - 4/0
P	O	
R	OO OO	#6 awg - 350 kcmil
T	OO	
U	O	#4 awg - 500 kcmil
V	OO	
W	O	

REV	DATE	DESCRIPTION	ECO	BY	C'H'K.
B	7/20/2017	UPDATED AS PER MU	47175	SM	MB

TO ORDER BURNDY® PRODUCTS CALL		SMALL BOX TO STUD DISTRIBUTION BLOCKS													
UNITED STATES 1-800-346-4175 (LONDONDERRY, NH)		ITEM NO: SEE TABLE													
CANADA: 1-800-361-6975 (QUEBEC) 1-800-387-6487 (ALL OTHER PROVINCES)		CAT. NO: SEE TABLE													
FOR PRODUCT INFO: http://www.burndy.com		<table border="1"> <tr> <td>DRAWN BY: S.MOORTHY</td> <td>07/04/2017</td> </tr> <tr> <td>CHECKER: B.MANIKANDAN</td> <td>07/04/2017</td> </tr> <tr> <td>DSN APRVL: T.REYNOLDS</td> <td>13/04/2017</td> </tr> <tr> <td>MFG APRVL: M.STEVENS</td> <td>17/04/2017</td> </tr> <tr> <td>QA APRVL: C.LINDQUIST</td> <td>22/04/2017</td> </tr> <tr> <td>MKT APRVL: M.BAILLY</td> <td>22/04/2017</td> </tr> </table>		DRAWN BY: S.MOORTHY	07/04/2017	CHECKER: B.MANIKANDAN	07/04/2017	DSN APRVL: T.REYNOLDS	13/04/2017	MFG APRVL: M.STEVENS	17/04/2017	QA APRVL: C.LINDQUIST	22/04/2017	MKT APRVL: M.BAILLY	22/04/2017
DRAWN BY: S.MOORTHY	07/04/2017														
CHECKER: B.MANIKANDAN	07/04/2017														
DSN APRVL: T.REYNOLDS	13/04/2017														
MFG APRVL: M.STEVENS	17/04/2017														
QA APRVL: C.LINDQUIST	22/04/2017														
MKT APRVL: M.BAILLY	22/04/2017														
PROJ #:	SIZE	DRAWING NO	REV												
SALES	B	50081548	B												
REL LEVEL: Released		SHEET 3 OF 3													

