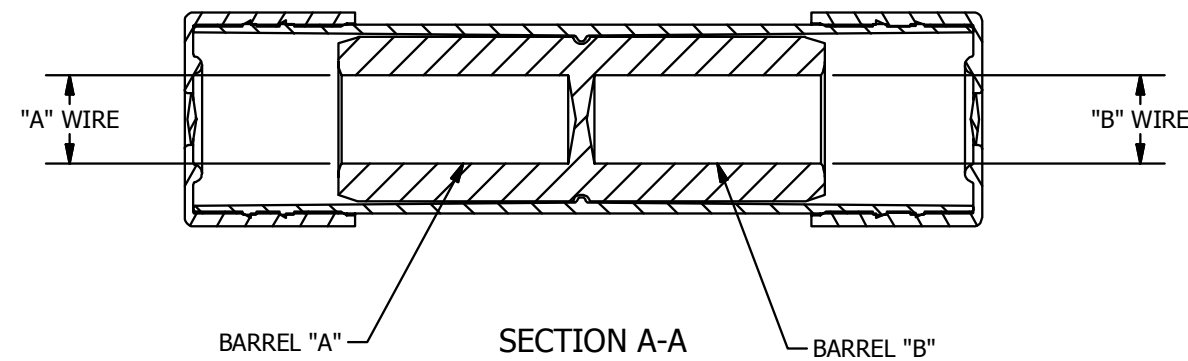
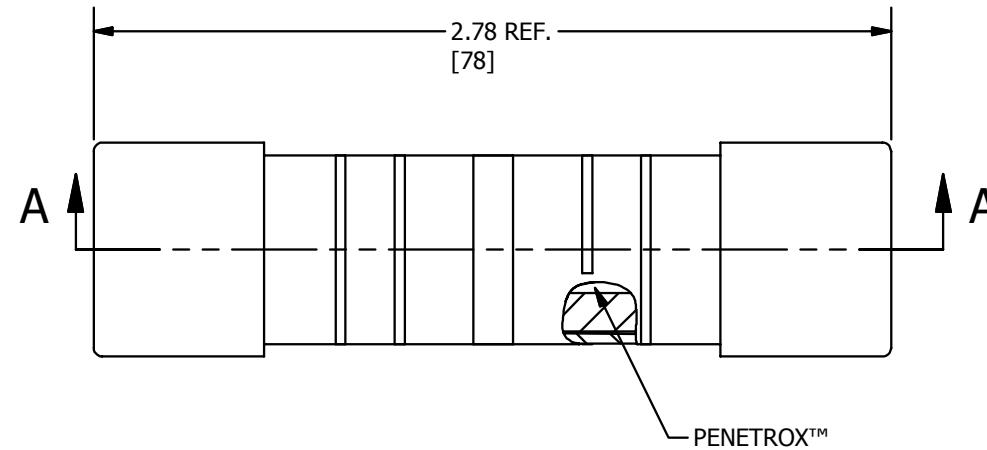


CATALOG NUMBER	"A" Wire AL, CU ACSR SB	"B" Wire AL, CU ACSR SB	LETTERING & BARS COLOR CODE		DIE INDEX NO.	HYTOOL™ WITH NUMBER OF CRIMPS PER END			HYPRESS™ WITH NO., OF CRIMPS PER END
			BARREL "A"	BARREL "B"		MD6	OH25	OUR840	
			Y35/Y750						
ES4R6R	#4 ACSR	#6 ACSR	ORANGE	BLUE	BG OR \triangleleft 5/8	BG W-BG(1)	(1)	XNBG(1)	UBG(1) \triangleleft
ES4R4R	#4 ACSR	#4 ACSR	ORANGE	ORANGE					
ES2R4R	#2 ACSR	#4 ACSR	RED	ORANGE					
ES1CA1CA	#1 ACSR	#1 ACSR	BROWN	BROWN					

REV	DATE	DESCRIPTION	ECO	BY	C'H'K.
A	6/1/2017	NEW DRAWING CREATED	46856	SM	MB



NOTES:

1. BARREL IS PARTIALLY FILLED WITH PENETROX™ AND SEALED.

\triangleleft TWO CRIMPS MADE SIMULTANEOUSLY.

\triangleleft MULTIPLE CRIMP DIE SET.

4. MATERIAL: CONNECTOR - ALUMINUM

5. DIMENSIONS IN BRACKETS [] ARE IN MILLIMETERS ROUNDED OFF TO THE NEAREST MILLIMETER, UNLESS OTHERWISE NOTED, AND ARE FOR REFERENCE ONLY.

6. INSTALLATION INSTRUCTIONS:

1. STRIP CABLE INSULATION 7/8" (STRIP LENGTH INDICATED ON INSULINK). FOR BEST RESULTS, REMOVE COTTON BRAID FOR AN ADDITIONAL 3/4" ON WEATHERPROOF AND SE TYPE CONDUCTORS

2. SCRATCH BRUSHING OF ALUMINUM CONDUCTORS, BEFORE MAKING INSTALLATIONS, IS RECOMMENDED.

3. INSERT CONDUCTOR THRU CENTER OF CAP AND THEN PUSH CONDUCTOR SO THAT STRIPPED END SEATS IN CONNECTOR AND INSULATION ENTERS CAP.

4. USING PROPER TOOL, CRIMP BETWEEN GUIDE LINES. MAKE INNERMOST CRIMP FRIST AND CRIMP TOWARD END. REPEAT FOR OTHER-SIDE.

TO ORDER BURNDY® PRODUCTS CALL		INSULINK™	
UNITED STATES 1-800-346-4175 (LONDONDERRY, NH)		ITEM NO: --	
CANADA: 1-800-361-6975 (QUEBEC) 1-800-387-6487 (ALL OTHER PROVINCES)		CAT. NO: SEE TABLE	
FOR PRODUCT INFO: http://www.burndy.com		DRAWN BY: S.MOORTHY 6/1/2017	
		CHECKER: B.MANIKANDAN 6/1/2017	
		DSN APRVL: W.ZAHLMAN 6/7/2017	
		MFG APRVL: --	
		QA APRVL: B.POST 6/7/2017	
		MKT APRVL: J.HALL 6/8/2017	
		PROD FAM: --	
		DRAWING NO	
		50082742	
		REV	
		A	
		SHEET 1 OF 1	