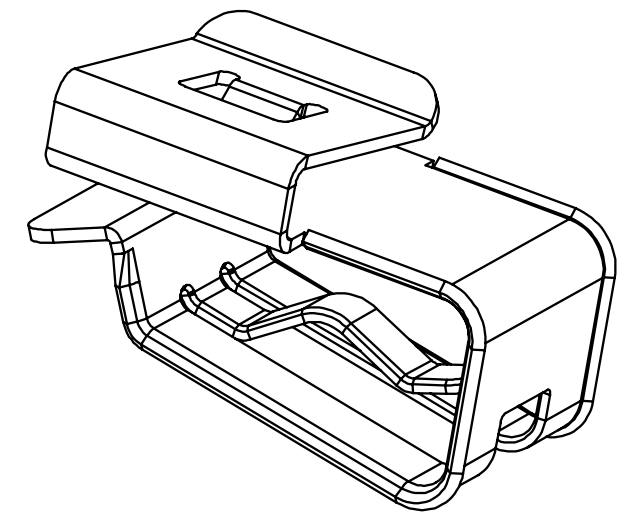
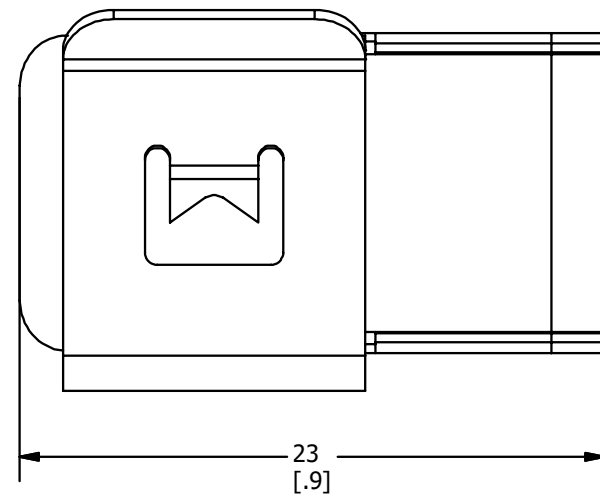
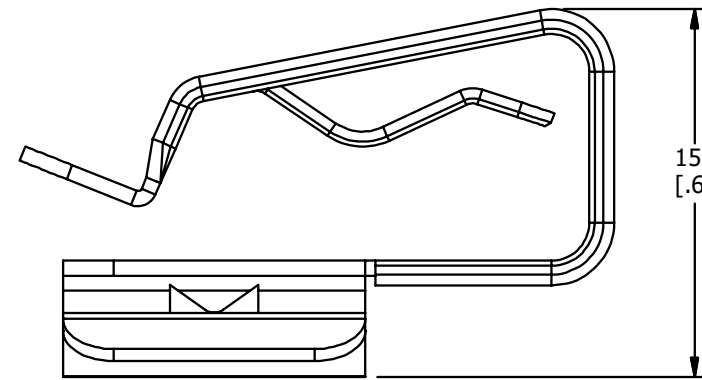
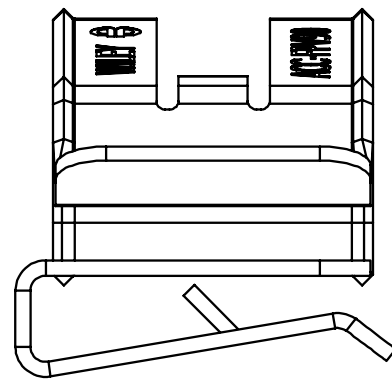
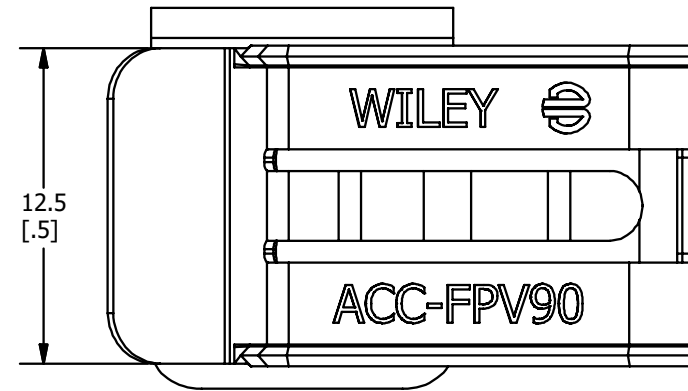


REV	DATE	DESCRIPTION	ECO	BY	C'H'K.
B	26-11-2018	NOTES UPDATED	50392	TM	SP



### 3D VIEWS

#### NOTES:

1. MATERIAL: 304 STAINLESS STEEL.
2. DIMENSIONS IN BRACKETS [ ] ARE IN INCHES ROUNDED OFF TO THE NEAREST TENTH, UNLESS OTHERWISE SPECIFIED AND ARE FOR REFERENCE ONLY.
3. DESIGNED TO HOLD UP TO (2) USE-2 WIRES OR UP TO (2) PV WIRES UP TO 8.0mm [.315IN] DIAMETER.
4. COMPATIBLE ON MODULE FRAMES OR FLANGES WITH A THICKNESS RANGE OF 1.0 TO 3.0MM
5. INSTALLS ON TO THE MODULE FRAME OR FLANGE IN A 90 DEGREE ORIENTATION.

TO ORDER BURNDY PRODUCTS CALL  
 UNITED STATES  
 1-800-346-4175 (LONDONDERRY, NH)  
 CANADA:  
 1-800-361-6975 (QUEBEC)  
 1-800-387-6487 (ALL OTHER PROVINCES)  
 FOR PRODUCT INFO: <http://www.burndy.com>

ACME CABLE CLIP		DRAWING NO		REV
ITEM NO: 50085109		50084791		B
CAT. NO: ACC-FPV90		SIZE		B
DRAWN BY: M.THAMARAI	18-07-2017	SHEET 1 OF 1		
CHECKER: K.NAUGLER	29-11-2018			
DSN APRVL: K.NAUGLER	29-11-2018			
PUR APRVL: J.VERRANAULT	30-11-2018			
QA APRVL: B.POST	29-11-2018			
MKT APRVL: S.PARSONS	29-11-2018			
PROD FAM: WILEY				
PROJECT #:				
DOCUMENT TYPE: SALES				
REL LEVEL: Released				

