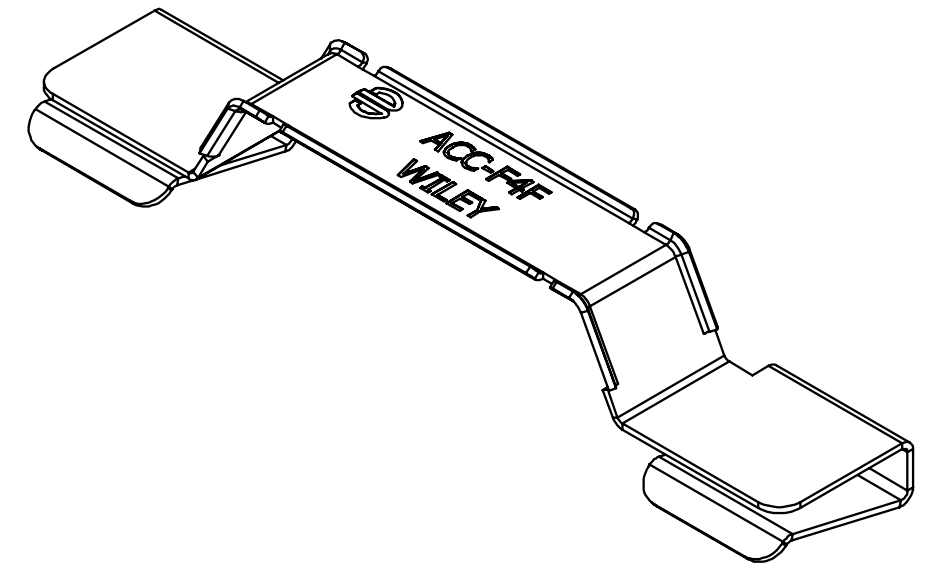
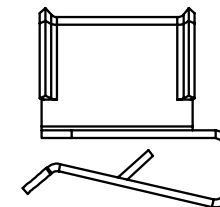
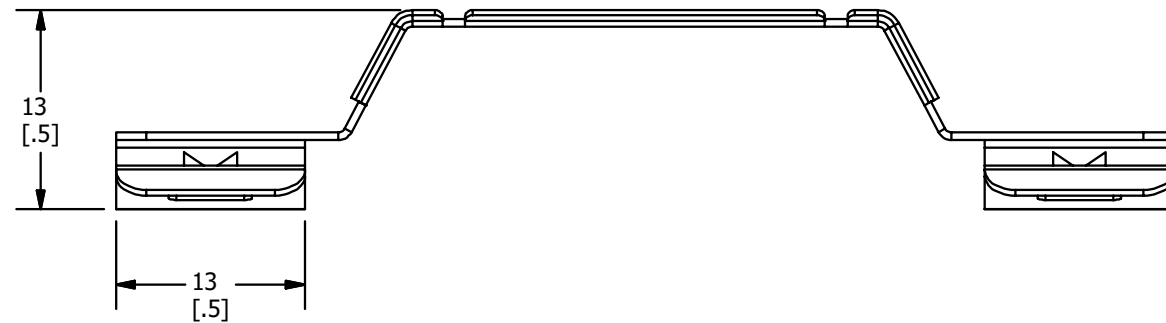
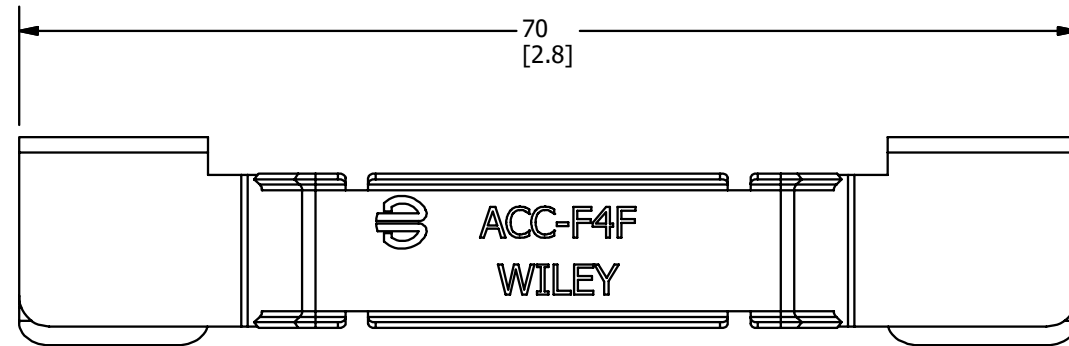


REV	DATE	DESCRIPTION	ECO	BY	C'H'K.
B	26-11-2018	UPDATE NOTES	50389	TM	SP



**3D VIEW**

**NOTES:**

1. MATERIAL: 304 STAINLESS STEEL.
2. DIMENSIONS IN BRACKETS [ ] ARE IN INCHES ROUNDED OFF TO THE NEAREST TENTH, UNLESS OTHERWISE SPECIFIED AND ARE FOR REFERENCE ONLY.
3. DESIGNED TO HOLD UP TO (4) PV WIRES UP TO 8.0mm [.315IN] DIAMETER.
4. COMPATIBLE ON MODULE FRAMES OR FLANGES WITH A THICKNESS RANGE OF 1.0 TO 3.0MM
5. INSTALLS ON TO THE MODULE FRAME OR FLANGE IN A 90 DEGREE ORIENTATION.

TO ORDER BURNDY PRODUCTS CALL		ACME CABLE CLIP	
UNITED STATES		ITEM NO: 50085923	
1-800-346-4175 (LONDONDERRY, NH)		CAT. NO: ACC-F4F	
CANADA:		DRAWN BY: E.MARTIN 07-12-2017	
1-800-361-6975 (QUEBEC)		CHECKER: K.NAUGLER 29-11-2018	
1-800-387-6487 (ALL OTHER PROVINCES)		DSN APRVL: K.NAUGLER 29-11-2018	
FOR PRODUCT INFO: <a href="http://www.burndy.com">http://www.burndy.com</a>		PUR APRVL: J.VERRANAULT 20-02-2019	
		QA APRVL: B.POST 28-11-2018	
		MKT APRVL: S.PARSONS 28-11-2018	
PROD FAM: WILEY	DRAWING NO	REV	
PROJECT #:	SIZE	50085925	B
DOCUMENT TYPE: SALES	B	SHEET 1 OF 1	
REL LEVEL: Released			