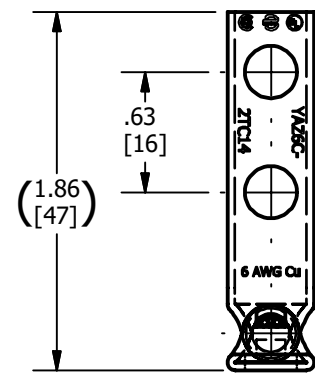
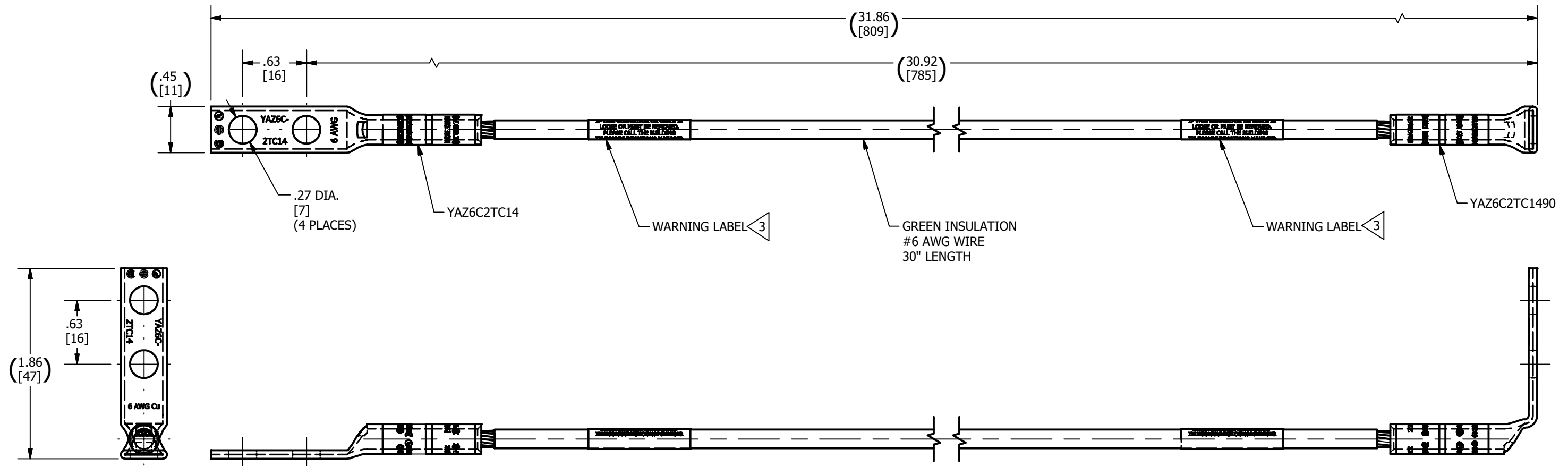
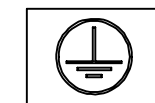
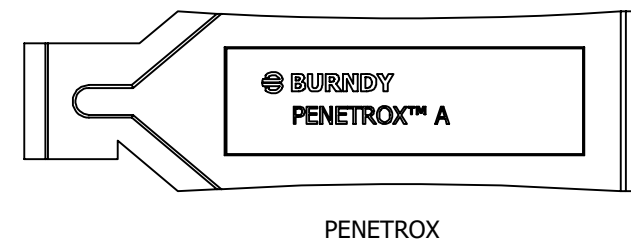
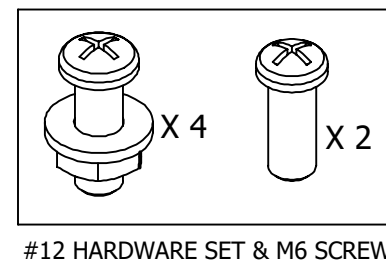


REV	DATE	DESCRIPTION	ECO	BY	C'H.K.
B	10/29/2018	ALL COMPONENTS INCLUDED AND NOTE UPDATED	50063	PB	RG



IF THIS CONNECTOR OR CABLE IS LOOSE OR MUST BE REMOVED, PLEASE CALL THE BUILDING TELECOMMUNICATIONS MANAGER X 2



GROUNDING LABEL

NOTES:

- DIMENSIONS IN BRACKETS [] ARE IN MILLIMETERS ROUNDED OFF TO THE NEAREST MILLIMETER, UNLESS OTHERWISE SPECIFIED AND ARE FOR REFERENCE ONLY.
- THIS KIT ALSO CONTAINS AN INSTRUCTION SHEET.
- WARNING LABEL INSTALLED ON BOTH ENDS OF THE GROUNDING JUMPER TO PROTECT THE GROUNDING AND BONDING NETWORK. DO NOT REMOVE.

TO ORDER BURNDY® PRODUCTS CALL		GROUNDING JUMPER KIT	
UNITED STATES		ITEM NO: 50087029	
1-800-346-4175 (LONDONDERRY, NH)		CAT. NO: BGRKTD30DN	
CANADA:		DRAWN BY: B.PARTHIBAN 10/16/2017	
1-800-361-6975 (QUEBEC)		CHECKER: L.TROMBLEY 06/05/2018	
1-800-387-6487 (ALL OTHER PROVINCES)		DSN APRVL: L.TROMBLEY 06/05/2018	
FOR PRODUCT INFO: http://www.burndy.com		MFG APRVL: --	
		QA APRVL: B.POST 05/23/2018	
		MKT APRVL: J.VERRANAULT 05/24/2018	
		PROD FAM: --	
		DRAWING NO	
		50087030	
		REV	
		B	
		SHEET 1 OF 1	