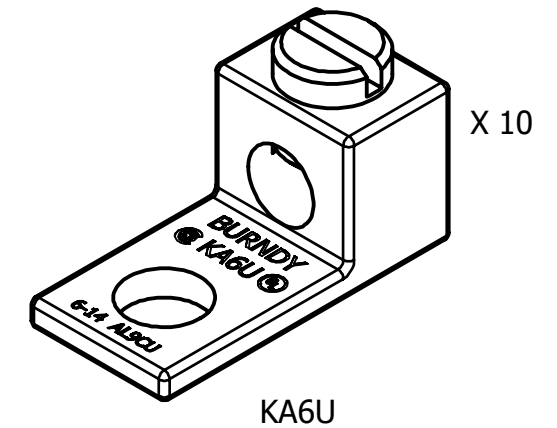
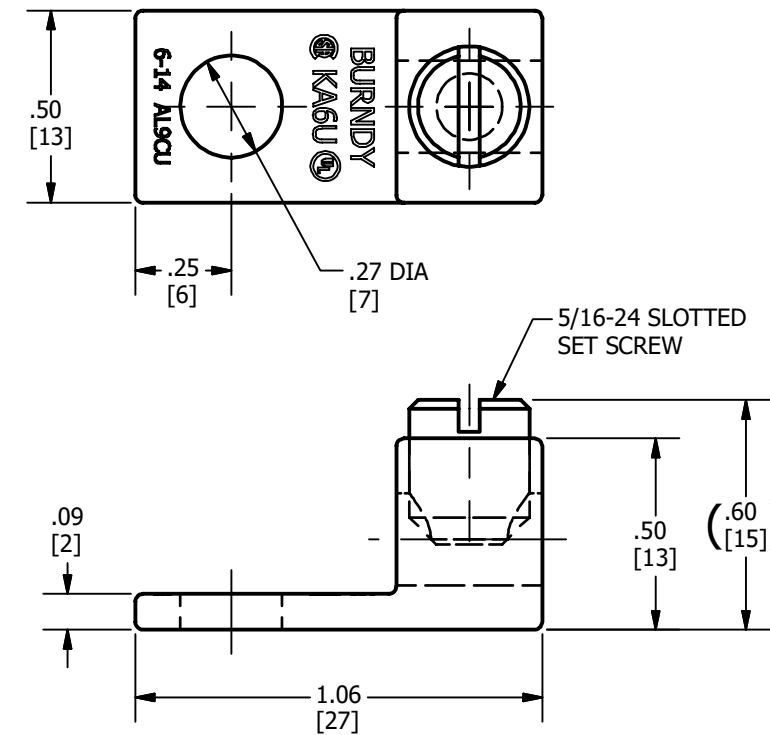
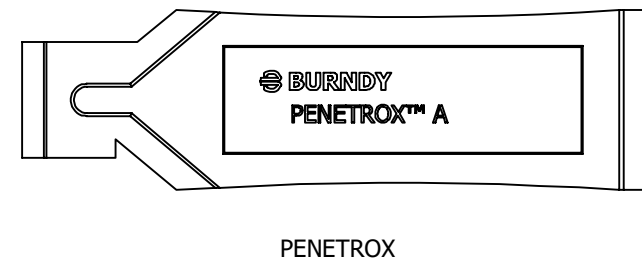
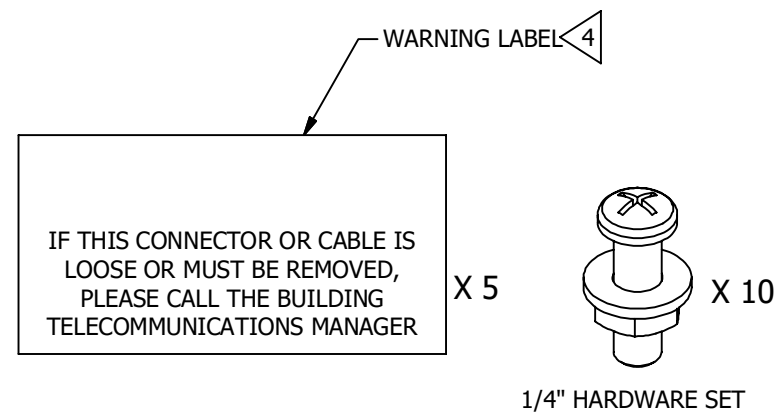
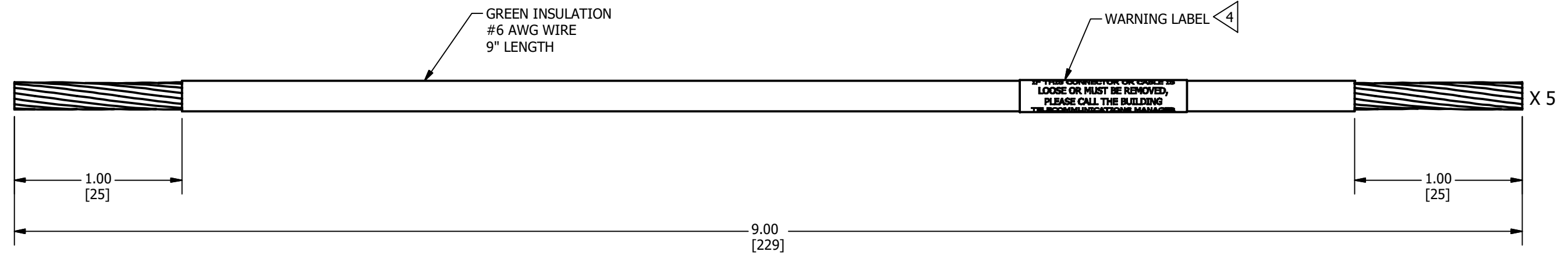


| REV | DATE | DESCRIPTION | ECO | BY | C'H'K. |
|-----|------------|--|-------|----|--------|
| B | 10/29/2018 | ALL COMPONENTS INCLUDED AND NOTE UPDATED | 50063 | PB | RG |



NOTES:

- DIMENSIONS IN BRACKETS [] ARE IN MILLIMETERS ROUNDED OFF TO THE NEAREST MILLIMETER, UNLESS OTHERWISE SPECIFIED AND ARE FOR REFERENCE ONLY.
- THIS KIT ALSO CONTAINS AN INSTRUCTION SHEET.
- KA6U IS FIXED TO BOTH ENDS OF THE WIRE DURING INSTALLATION AT CUSTOMER END.
- WARNING LABEL INSTALLED ON THE GROUNDING JUMPER TO PROTECT THE GROUNDING AND BONDING NETWORK. DO NOT REMOVE.
- THIS KIT CONTAIN ENOUGH PRODUCT TO CREATE 5 BONDING JUMPERS/BONDING CONNECTIONS.

| | | | |
|---|--|--|--|
| TO ORDER BURNDY® PRODUCTS CALL | | GROUNDING JUMPER WITH UNIVERSAL TERMINAL KIT | |
| UNITED STATES | | ITEM NO: 50087234 | |
| 1-800-346-4175 (LONDONDERRY, NH) | | CAT. NO: BGRKTKA9KA5 | |
| CANADA: | | DRAWN BY: B.PARTHIBAN 10/16/2017 | |
| 1-800-361-6975 (QUEBEC) | | CHECKER: L.TROMBLEY 06/05/2018 | |
| 1-800-387-6487 (ALL OTHER PROVINCES) | | DSN APRVL: L.TROMBLEY 06/05/2018 | |
| FOR PRODUCT INFO: http://www.burndy.com | | MFG APRVL: -- | |
| | | QA APRVL: B.POST 05/23/2018 | |
| | | MKT APRVL: J.VERRANAULT 05/24/2018 | |
| | | PROD FAM: -- | |
| | | DRAWING NO | |
| | | 50087235 | |
| | | REV | |
| | | B | |
| | | SHEET 1 OF 1 | |