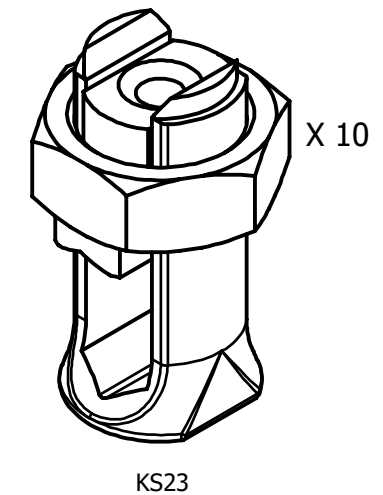
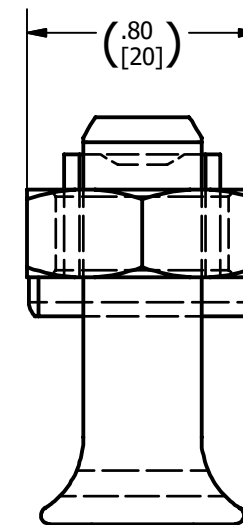
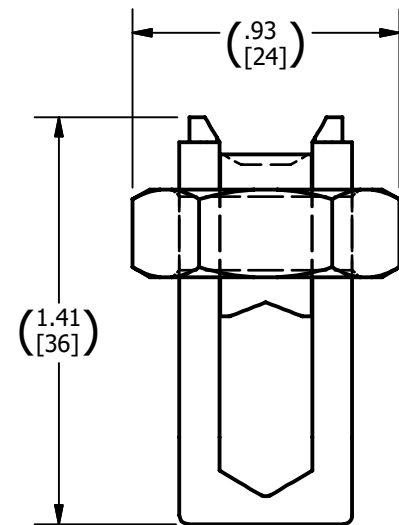
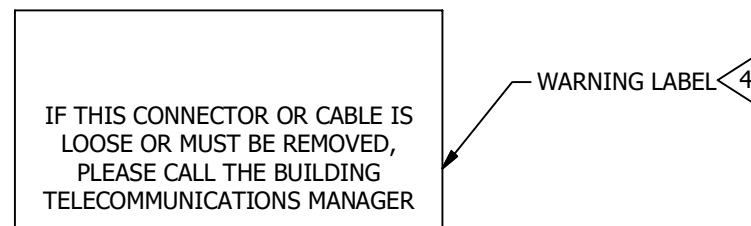
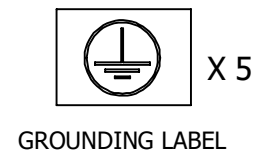
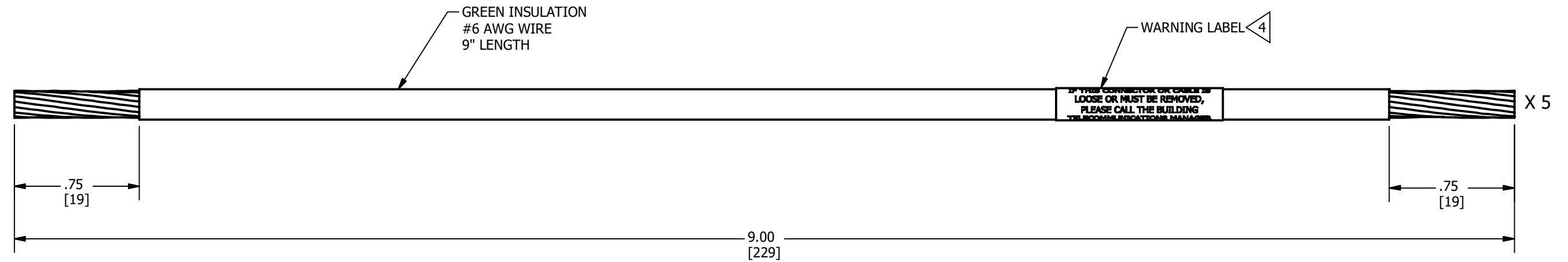


REV	DATE	DESCRIPTION	ECO	BY	C'H'K.
B	10/29/2018	ALL COMPONENTS ADDED AND NOTES UPDATED	50063	PB	RG



NOTES:

- DIMENSIONS IN BRACKETS [] ARE IN MILLIMETERS ROUNDED OFF TO THE NEAREST MILLIMETER, UNLESS OTHERWISE SPECIFIED AND ARE FOR REFERENCE ONLY.
- THIS KIT ALSO CONTAINS AN INSTRUCTION SHEET.
- KS23 IS FIXED TO BOTH ENDS OF THE WIRE DURING INSTALLATION AT CUSTOMER END.
- WARNING LABEL INSTALLED ON THE GROUNDING JUMPER TO PROTECT THE GROUNDING AND BONDING NETWORK. DO NOT REMOVE.
- THIS KIT CONTAIN ENOUGH PRODUCT TO CREATE 5 BONDING JUMPERS/BONDING CONNECTIONS.

TO ORDER BURNDY® PRODUCTS CALL		LADDER AND TRAY GROUND KIT	
UNITED STATES 1-800-346-4175 (LONDONDERRY, NH)		ITEM NO: 50087236	
CANADA: 1-800-361-6975 (QUEBEC) 1-800-387-6487 (ALL OTHER PROVINCES)		CAT. NO: BGRKTWB5	
FOR PRODUCT INFO: http://www.burndy.com		DRAWN BY: B.PARTHIBAN 10/16/2017	
		CHECKER: L.TROMBLEY 06/05/2018	
		DSN APRVL: L.TROMBLEY 06/05/2018	
		MFG APRVL: --	
		QA APRVL: B.POST 05/23/2018	
		MKT APRVL: J.VERRANAULT 05/24/2018	
		PROD FAM: --	
		DRAWING NO	
		50087237	
		REV	
		B	
		SHEET 1 OF 1	