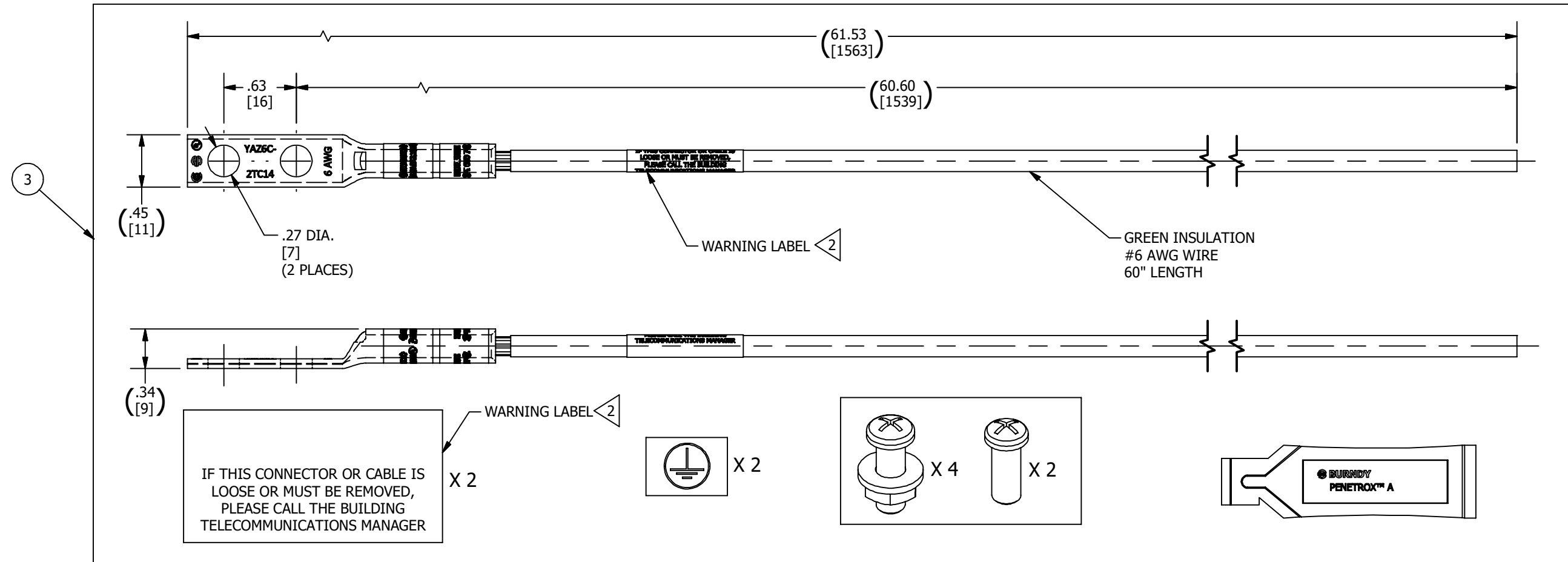
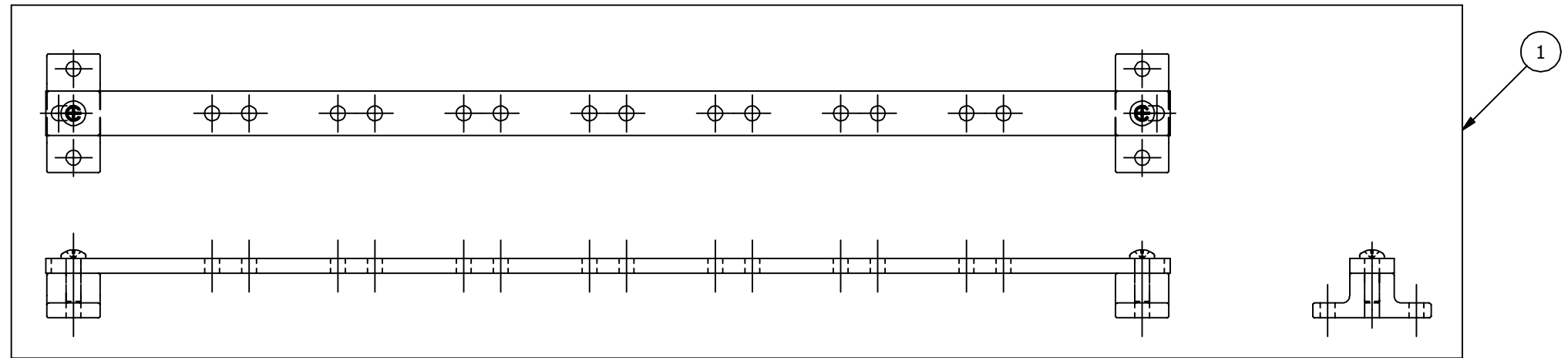


*** BILL OF MATERIAL ***

PT NO.	DESCRIPTION
1	1/4" X 3/4" X 19" GROUND BAR W/ INSULATORS
2	GROUND BAR HARDWARE KIT
3	60" GROUND WIRE KIT
4	ESD PORT KIT
5	8" BLACK CABLE MANAGEMENT STRAPS, 10 PACK

REV	DATE	DESCRIPTION	ECO	BY	C'H.K.
B	10/11/2018	BOM DETAILS UPDATED	50063	PB	RG



NOTES:

1. DIMENSIONS IN BRACKETS [] ARE IN MILLIMETERS ROUNDED OFF TO THE NEAREST MILLIMETER, UNLESS OTHERWISE SPECIFIED AND ARE FOR REFERENCE ONLY.

2. WARNING LABEL INSTALLED ON THE GROUNDING JUMPER TO PROTECT THE GROUNDING AND BONDING NETWORK. DO NOT REMOVE.

TO ORDER BURNDY® PRODUCTS CALL

UNITED STATES
1-800-346-4175 (LONDONDERRY, NH)

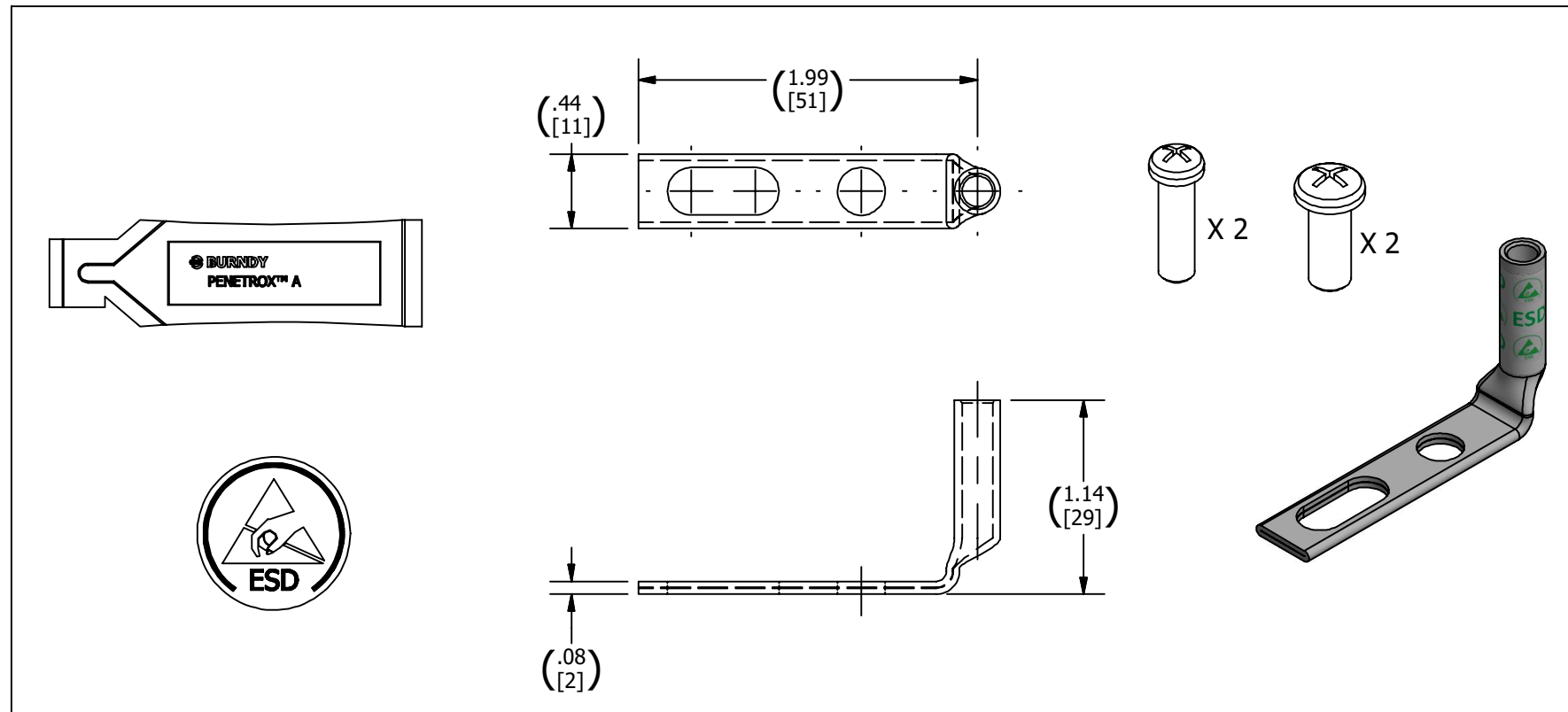
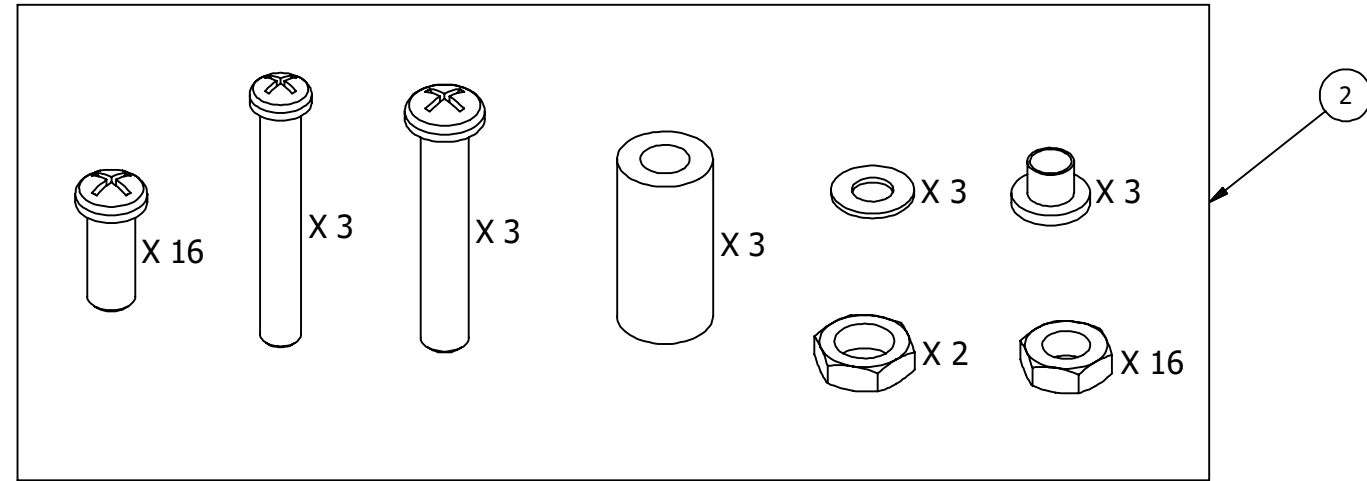
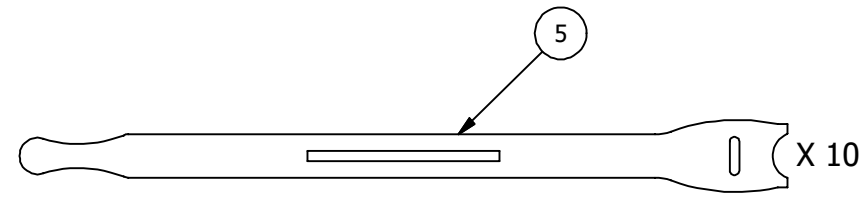
CANADA:
1-800-361-6975 (QUEBEC)
1-800-387-6487 (ALL OTHER PROVINCES)

FOR PRODUCT INFO: <http://www.burndy.com>

HORIZONTAL GROUNDING KIT

ITEM NO: 50087238		
CAT. NO: BGRKTHC		
DRAWN BY: B.PARTHIBAN	10/16/2017	
CHECKER: L.TROMBLEY	06/05/2018	
DSN APRVL: L.TROMBLEY	06/05/2018	
MFG APRVL: --		
QA APRVL: B.POST	05/23/2018	
MKT APRVL: J.VERRANAULT	05/24/2018	
PROD FAM: --		
PROJECT #: --	SIZE	DRAWING NO
DOCUMENT TYPE: SALES	B	50087239
REL LEVEL: Released		SHEET 1 OF 2
		REV
		B

REV	DATE	DESCRIPTION	ECO	BY	C'H.K.
B	10/11/2018	BOM DETAILS UPDATED	50063	PB	RG



TO ORDER BURNDY® PRODUCTS CALL		HORIZONTAL GROUNDING KIT	
UNITED STATES		ITEM NO: 50087238	
1-800-346-4175 (LONDONDERRY, NH)		CAT. NO: BGRKTHC	
CANADA:		DRAWN BY: B.PARTHIBAN 10/16/2017	
1-800-361-6975 (QUEBEC)		CHECKER: L.TROMBLEY 06/05/2018	
1-800-387-6487 (ALL OTHER PROVINCES)		DSN APRVL: L.TROMBLEY 06/05/2018	
FOR PRODUCT INFO: http://www.burndy.com		MFG APRVL: --	
		QA APRVL: B.POST 05/23/2018	
		MKT APRVL: J.VERRANAULT 05/24/2018	
PROJ #:	SIZE	DRAWING NO	REV
SALES	B	50087239	B
REL LEVEL: Released		SHEET 2 OF 2	