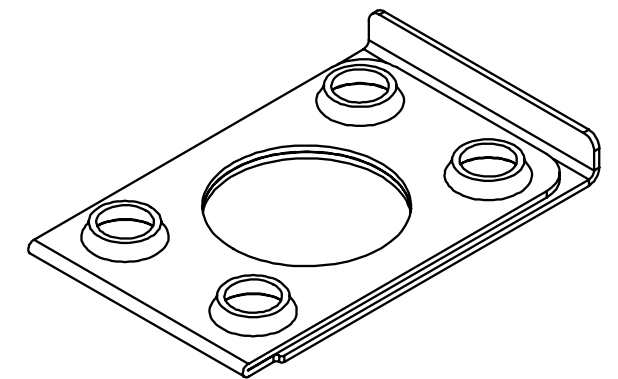
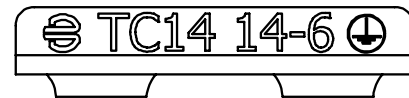
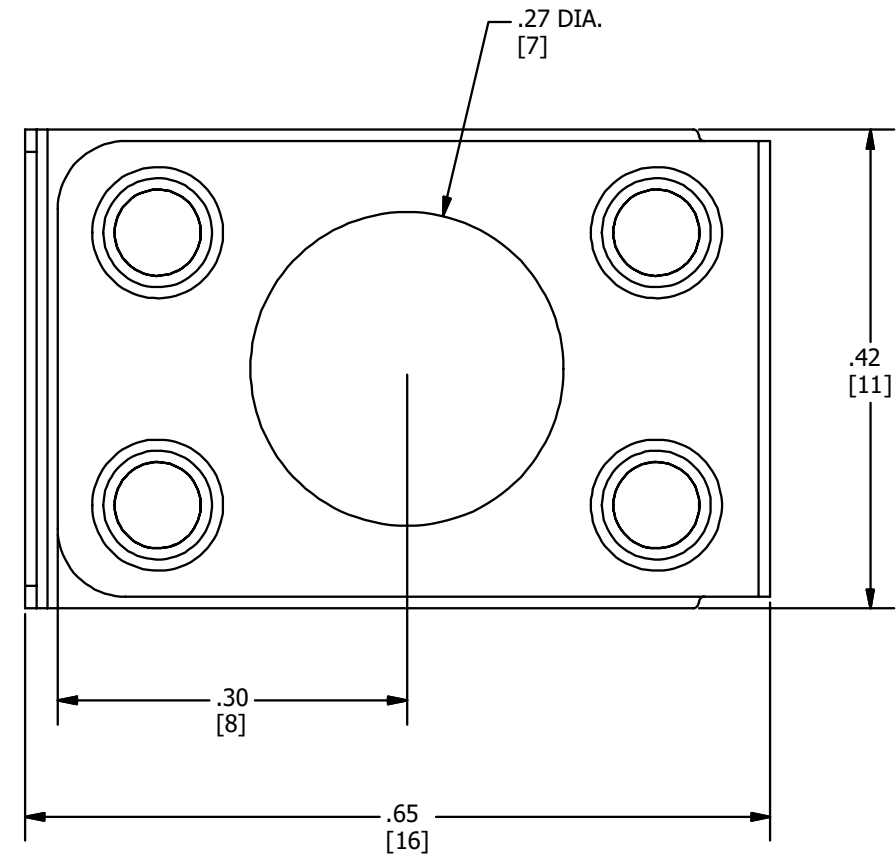
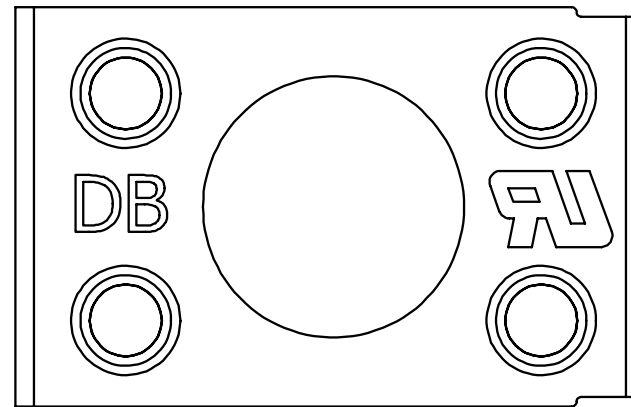


REV	DATE	DESCRIPTION	ECO	BY	C'H'K.
B	11-08-2018	UPDATE 3D MODEL AND DRAWING PER HUBBELL CANADA'S RECOMMENDATIONS	50173	TM	SC



3D VIEW

NOTES:

1. MATERIAL: 304 STAINLESS STEEL
2. DIMENSIONS IN BRACKETS [] ARE IN MILLIMETERS ROUNDED OFF TO THE NEAREST MILLIMETER, UNLESS OTHERWISE SPECIFIED AND ARE FOR REFERENCE ONLY.

TO ORDER BURNDY PRODUCTS CALL
 UNITED STATES
 1-800-346-4175 (LONDONDERRY, NH)
 CANADA:
 1-800-361-6975 (QUEBEC)
 1-800-387-6487 (ALL OTHER PROVINCES)
 FOR PRODUCT INFO: <http://www.burndy.com>

EQUIPMENT BOND		DRAWING NO	REV
ITEM NO: 50087369		50087371	B
CAT. NO: WEEB-TC14			
DRAWN BY: M.THAMARAI	10-07-2018		SHEET 1 OF 1
CHECKER: E.MARTIN	15-11-2018		
DSN APRVL: E.MARTIN	15-11-2018		
PUR APRVL: J.VERRANAULT	16-11-2018		
QA APRVL: B.POST	16-11-2018		
MKT APRVL: S.PARSONS	15-11-2018		
PROD FAM: WILEY			
PROJECT #:	SIZE		
DOCUMENT TYPE: SALES	B		
REL LEVEL: Released			