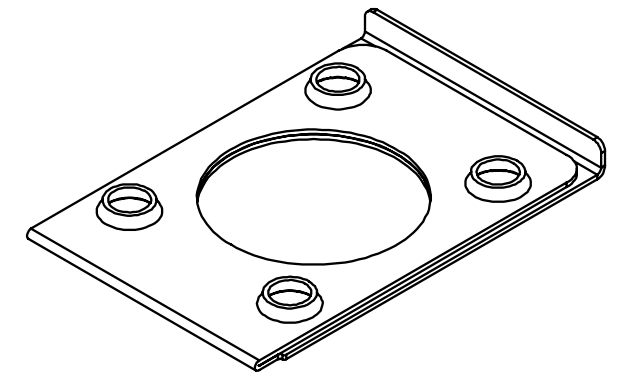
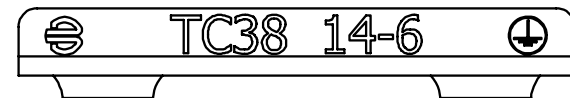
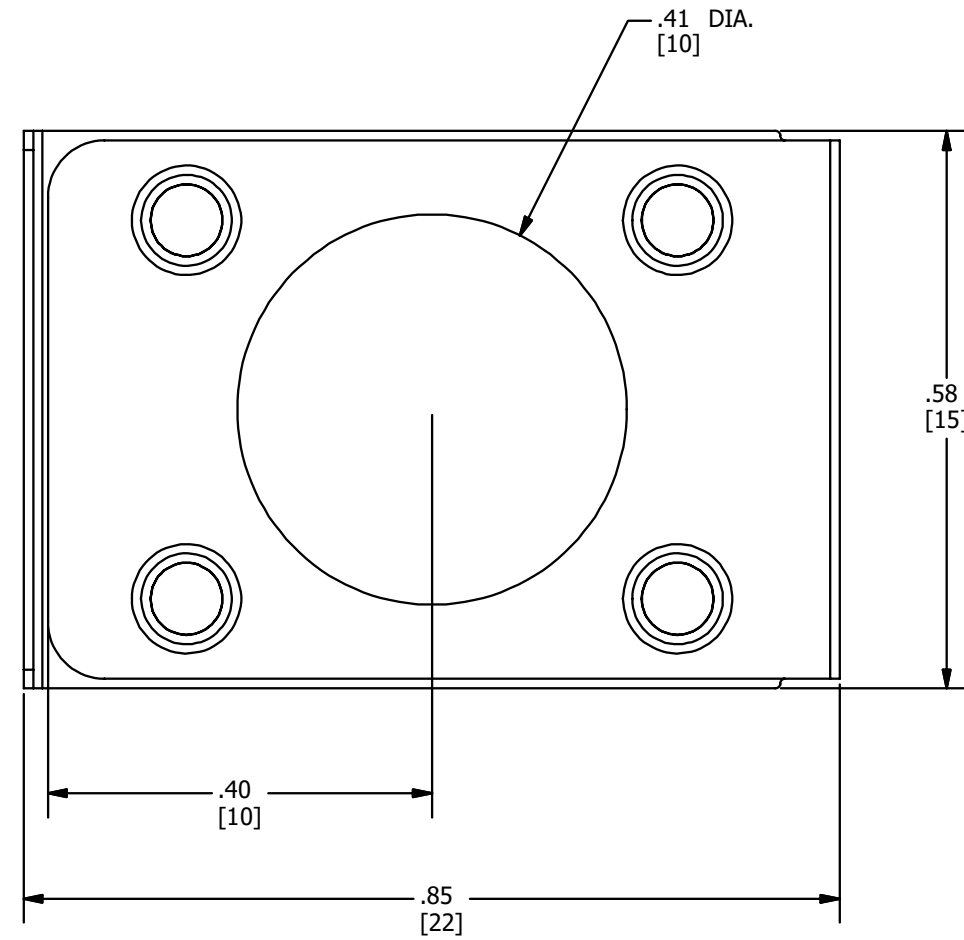
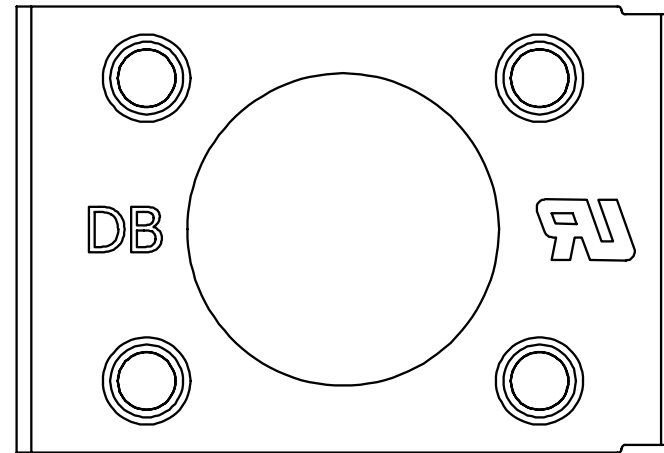


REV	DATE	DESCRIPTION	ECO	BY	C'H'K.
B	08-11-2018	UPDATE 3D MODEL AND DRAWING PER HUBBELL CANADA'S RECOMMENDATIONS	50173	TM	SC



3D VIEW

NOTES:

1. MATERIAL: 304 STAINLESS STEEL
2. DIMENSIONS IN BRACKETS [] ARE IN MILLIMETERS ROUNDED OFF TO THE NEAREST MILLIMETER, UNLESS OTHERWISE SPECIFIED AND ARE FOR REFERENCE ONLY.

TO ORDER BURNDY PRODUCTS CALL

UNITED STATES
1-800-346-4175 (LONDONDERRY, NH)

CANADA:
1-800-361-6975 (QUEBEC)
1-800-387-6487 (ALL OTHER PROVINCES)

FOR PRODUCT INFO: <http://www.burndy.com>

EQUIPMENT BOND

ITEM NO: 50087372		DRAWING NO		REV
CAT. NO: WEEB-TC38		50087374		B
DRAWN BY: M.THAMARAI	10-07-2018			
CHECKER: E.MARTIN	15-11-2018			
DSN APRVL: E.MARTIN	15-11-2018			
PUR APRVL: J.VERRANAULT	16-11-2018			
QA APRVL: B.POST	16-11-2018			
MKT APRVL: S.PARSONS	15-11-2018	SHEET 1 OF 1		
PROD FAM: WILEY		DRAWING NO		
PROJECT #:	SIZE	50087374		B
DOCUMENT TYPE: SALES	B			
REL LEVEL: Released				