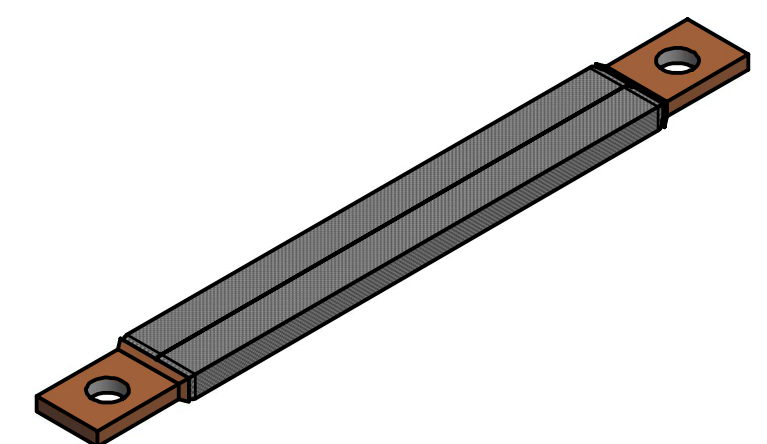
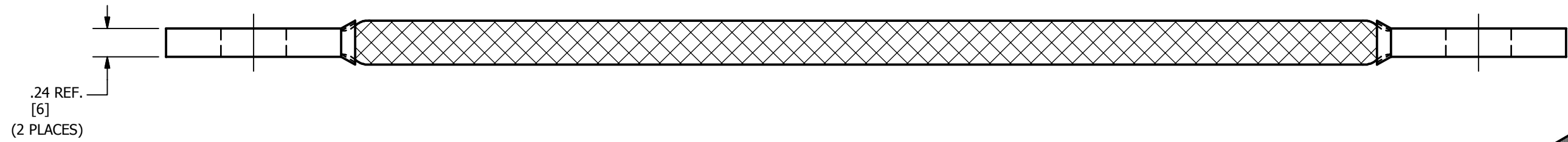
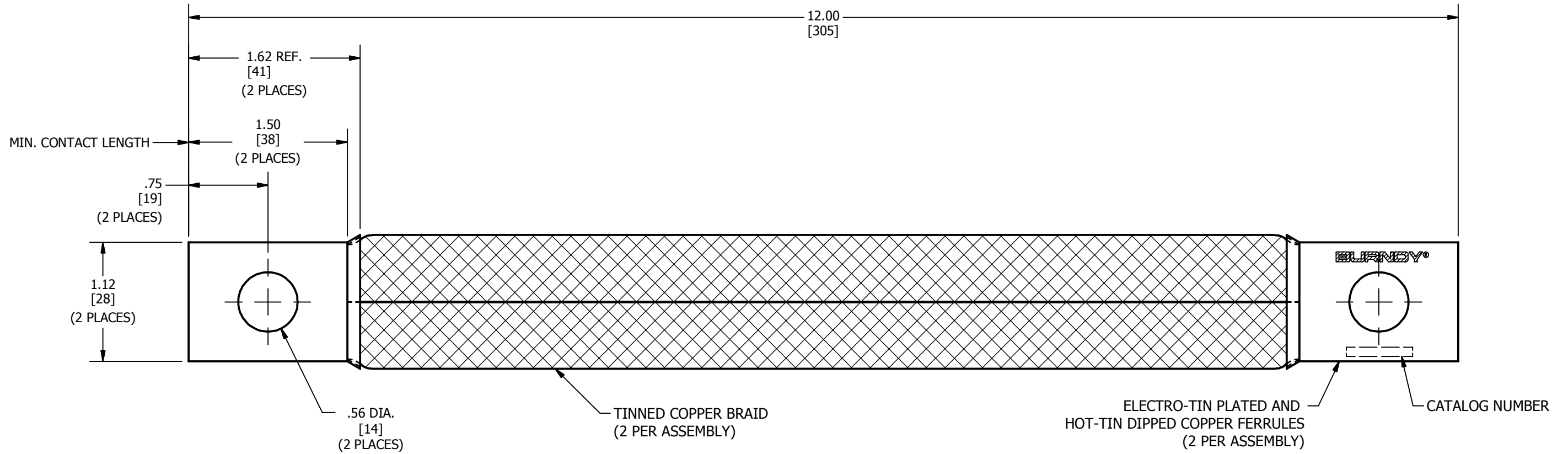


REV	DATE	DESCRIPTION	ECO	BY	CHK.
A	11/20/2017	CREATE SALES DRAWING	48081	PB	RG



NOTES:
 1. DIMENSIONS IN BRACKETS [] ARE IN MILLIMETERS ROUNDED OFF TO THE NEAREST MILLIMETER, UNLESS OTHERWISE NOTED, AND ARE FOR REFERENCE ONLY.

TO ORDER BURNDY® PRODUCTS CALL		BRAID													
UNITED STATES 1-800-346-4175 (LONDONDERRY, NH)		ITEM NO: 25021373													
CANADA: 1-800-361-6975 (QUEBEC) 1-800-387-6487 (ALL OTHER PROVINCES)		CAT. NO: B21D12G3W													
FOR PRODUCT INFO: http://www.burndy.com		<table border="1"> <tr> <td>DRAWN BY: B.PARTHIBAN</td> <td>11/20/2017</td> </tr> <tr> <td>CHECKER: L.TROMBLEY</td> <td>12/6/2017</td> </tr> <tr> <td>DSN APRVL: L.TROMBLEY</td> <td>12/6/2017</td> </tr> <tr> <td>MFG APRVL: M.STEVENS</td> <td>12/4/2017</td> </tr> <tr> <td>QA APRVL: C.LINDQUIST</td> <td>12/5/2017</td> </tr> </table>		DRAWN BY: B.PARTHIBAN	11/20/2017	CHECKER: L.TROMBLEY	12/6/2017	DSN APRVL: L.TROMBLEY	12/6/2017	MFG APRVL: M.STEVENS	12/4/2017	QA APRVL: C.LINDQUIST	12/5/2017		
DRAWN BY: B.PARTHIBAN	11/20/2017														
CHECKER: L.TROMBLEY	12/6/2017														
DSN APRVL: L.TROMBLEY	12/6/2017														
MFG APRVL: M.STEVENS	12/4/2017														
QA APRVL: C.LINDQUIST	12/5/2017														
<table border="1"> <tr> <td>PROD FAM: MECHANICAL GROUNDING</td> <td>DRAWING NO</td> <td>REV</td> </tr> <tr> <td>PROJECT #: --</td> <td>SIZE</td> <td>50087803</td> </tr> <tr> <td>DOCUMENT TYPE: SALES</td> <td>B</td> <td>A</td> </tr> <tr> <td>REL LEVEL: Released</td> <td></td> <td>SHEET 1 OF 1</td> </tr> </table>		PROD FAM: MECHANICAL GROUNDING	DRAWING NO	REV	PROJECT #: --	SIZE	50087803	DOCUMENT TYPE: SALES	B	A	REL LEVEL: Released		SHEET 1 OF 1		
PROD FAM: MECHANICAL GROUNDING	DRAWING NO	REV													
PROJECT #: --	SIZE	50087803													
DOCUMENT TYPE: SALES	B	A													
REL LEVEL: Released		SHEET 1 OF 1													