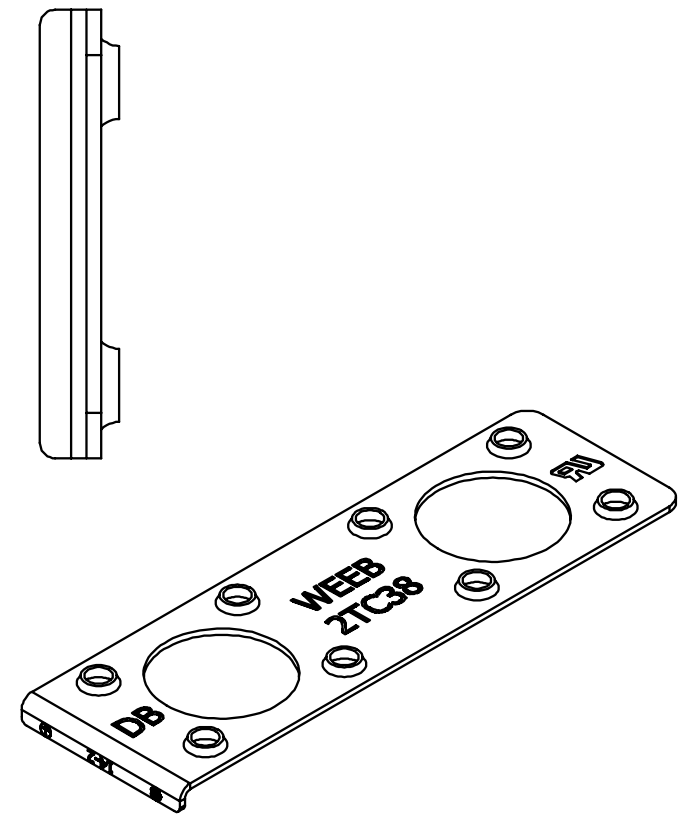
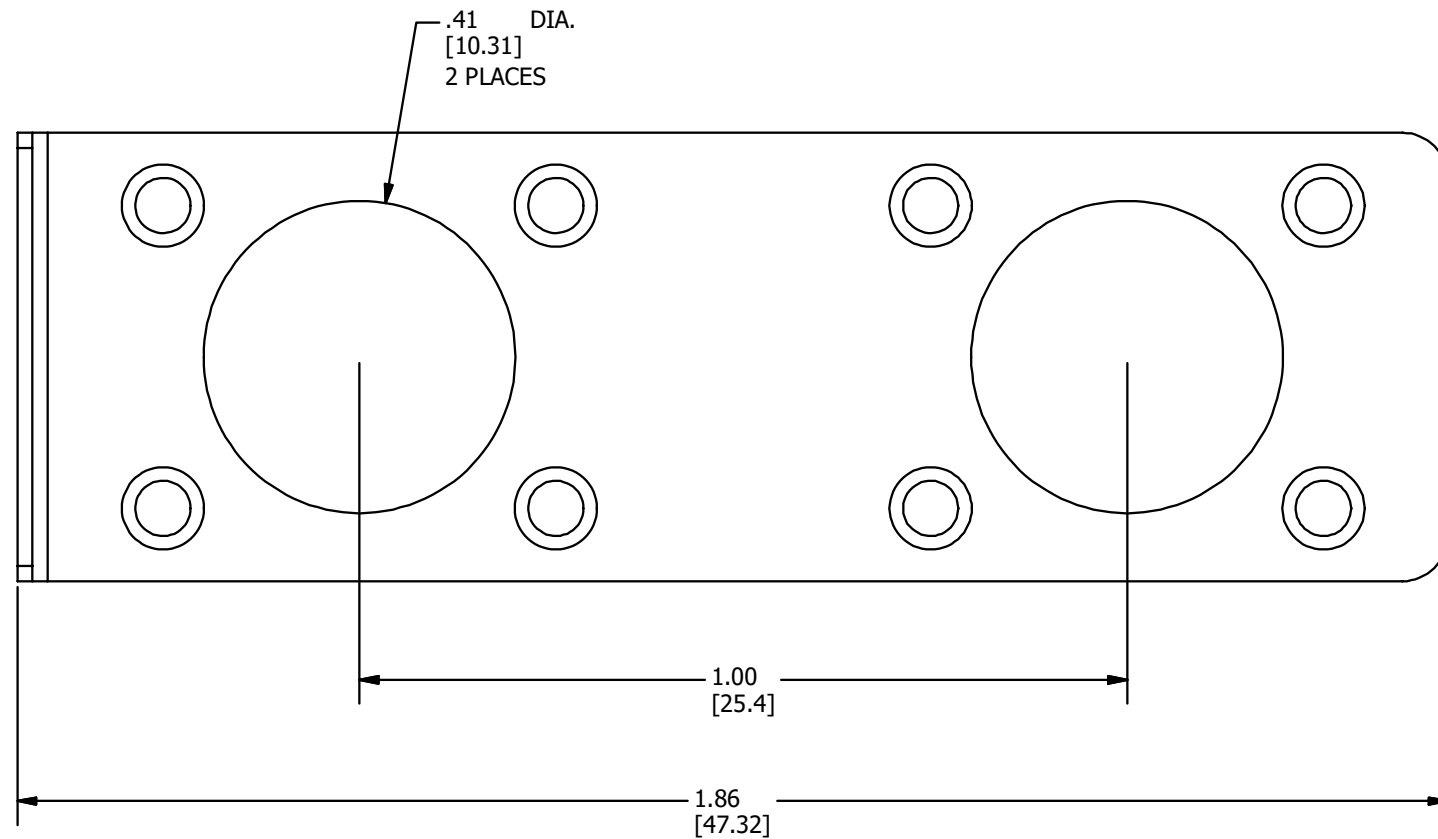
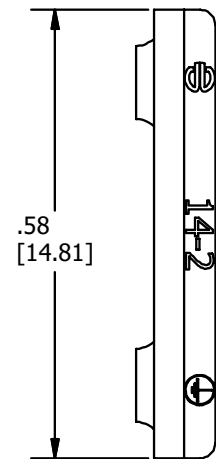
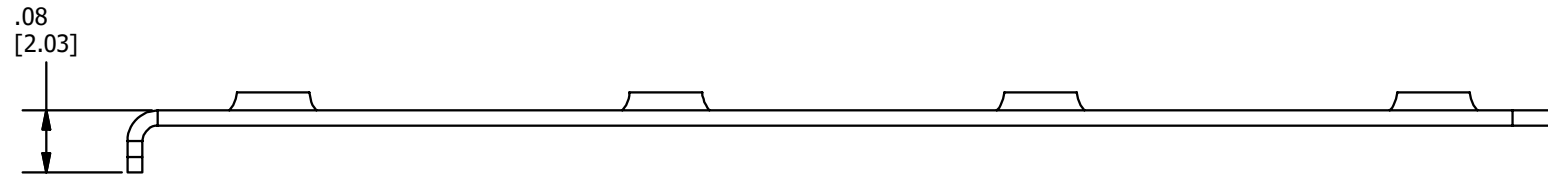
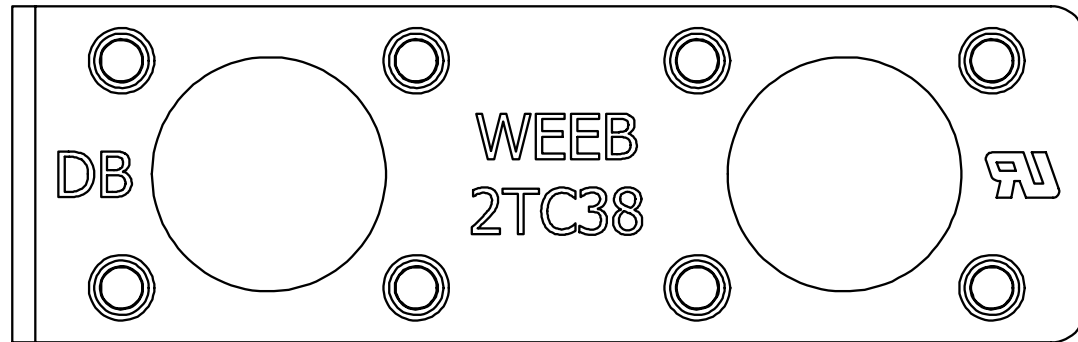


| REV | DATE | DESCRIPTION | ECO | BY | C'H'K. |
|-----|------------|---|-------|----|--------|
| B | 11/15/2018 | SWITCH THE PRIMARY DIMENSIONS AND CHANGE THE DECIMALS | 50327 | TM | SC |



3D VIEW

NOTES:

1. MATERIAL: 304 STAINLESS STEEL
2. DIMENSIONS IN BRACKETS [] ARE IN MILLIMETERS ROUNDED OFF TO THE NEAREST HUNDREDTH, UNLESS OTHERWISE SPECIFIED AND ARE FOR REFERENCE ONLY.

TO ORDER BURNDY PRODUCTS CALL
 UNITED STATES
 1-800-346-4175 (LONDONDERRY, NH)
 CANADA:
 1-800-361-6975 (QUEBEC)
 1-800-387-6487 (ALL OTHER PROVINCES)
 FOR PRODUCT INFO: <http://www.burndy.com>

| EQUIPMENT BOND | | DRAWING NO | | REV |
|-------------------------|------------|--------------|--|-----|
| ITEM NO: 50087811 | | 50087813 | | B |
| CAT. NO: WEEB-2TC38 | | SHEET 1 OF 1 | | |
| DRAWN BY: M.THAMARAI | 23-11-2017 | | | |
| CHECKER: S.CARBONNEAU | 20-11-2018 | | | |
| DSN APRVL: S.CARBONNEAU | 20-11-2018 | | | |
| PUR APRVL: -- | | | | |
| QA APRVL: B.POST | 17-11-2018 | | | |
| MKT APRVL: S.PARSONS | 16-11-2018 | | | |
| PROD FAM: WILEY | | | | |
| PROJECT #: | SIZE | 50087813 | | |
| DOCUMENT TYPE: SALES | B | | | |
| REL LEVEL: Released | | | | |