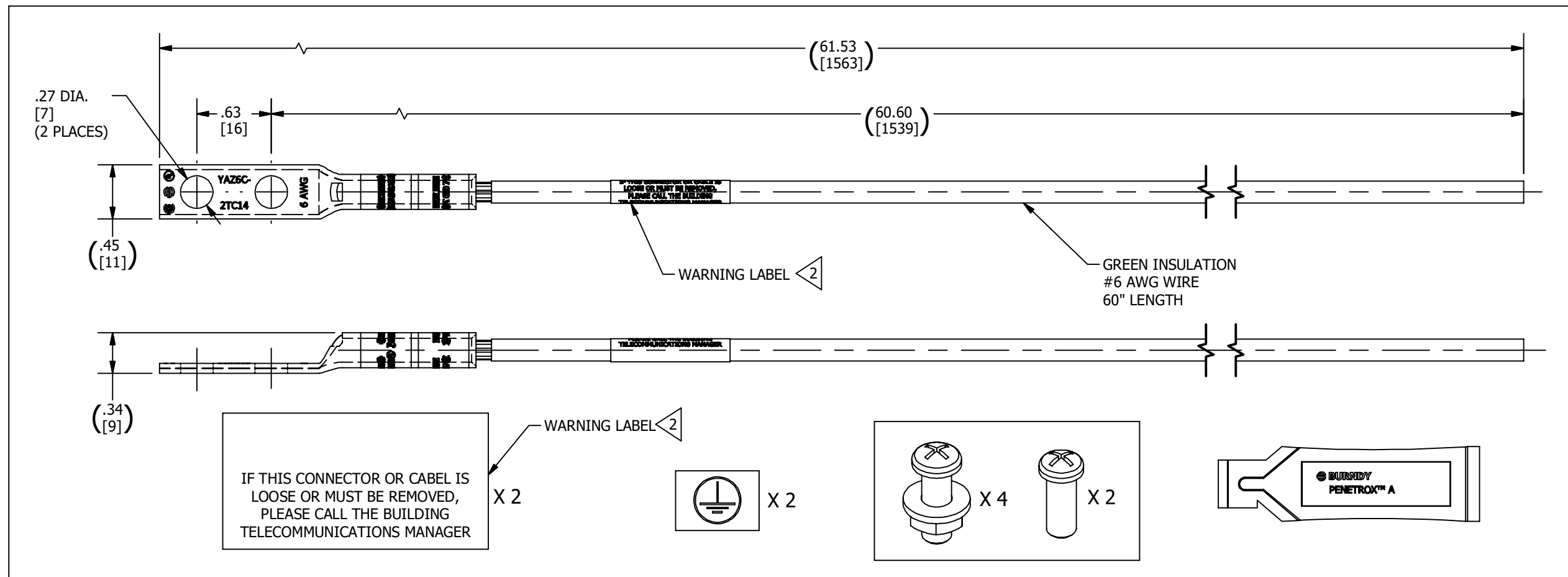
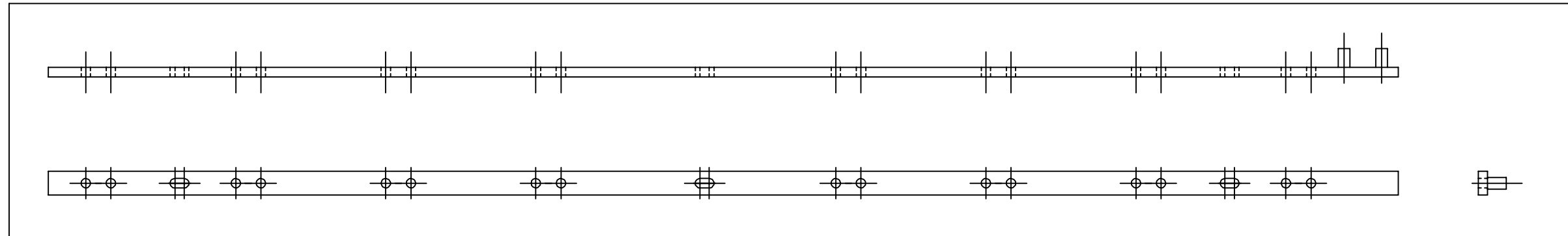


*** BILL OF MATERIAL ***

PT NO.	DESCRIPTION
1	36IN BUSBAR
2	GROUND BAR HARDWARE KIT
3	60" GROUND WIRE KIT
4	ESD PORT KIT
5	8" BLACK CABLE MANAGEMENT STRAPS, 10 PACK

REV	DATE	DESCRIPTION	ECO	BY	C'H.K.
B	10/15/2018	BOM DETAILS UPDATED	50063	PB	RG



NOTES:

1. DIMENSIONS IN BRACKETS [] ARE IN MILLIMETERS ROUNDED OFF TO THE NEAREST MILLIMETER, UNLESS OTHERWISE SPECIFIED AND ARE FOR REFERENCE ONLY.

2. WARNING LABEL INSTALLED ON THE GROUNDING JUMPER TO PROTECT THE GROUNDING AND BONDING NETWORK. DO NOT REMOVE.

TO ORDER BURNDY® PRODUCTS CALL

UNITED STATES
 1-800-346-4175 (LONDONDERRY, NH)

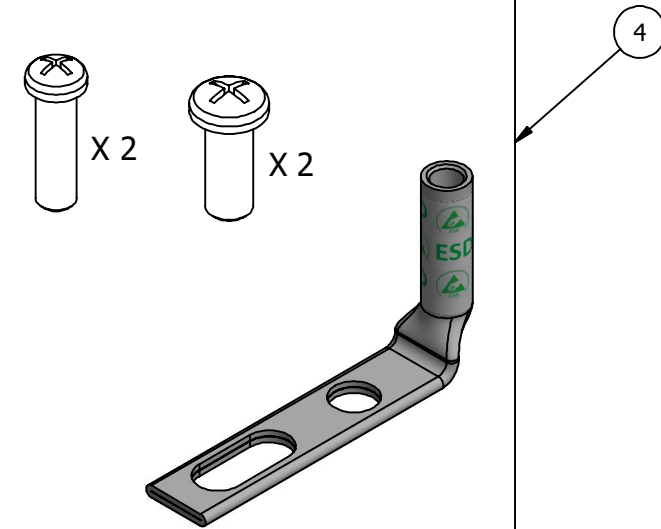
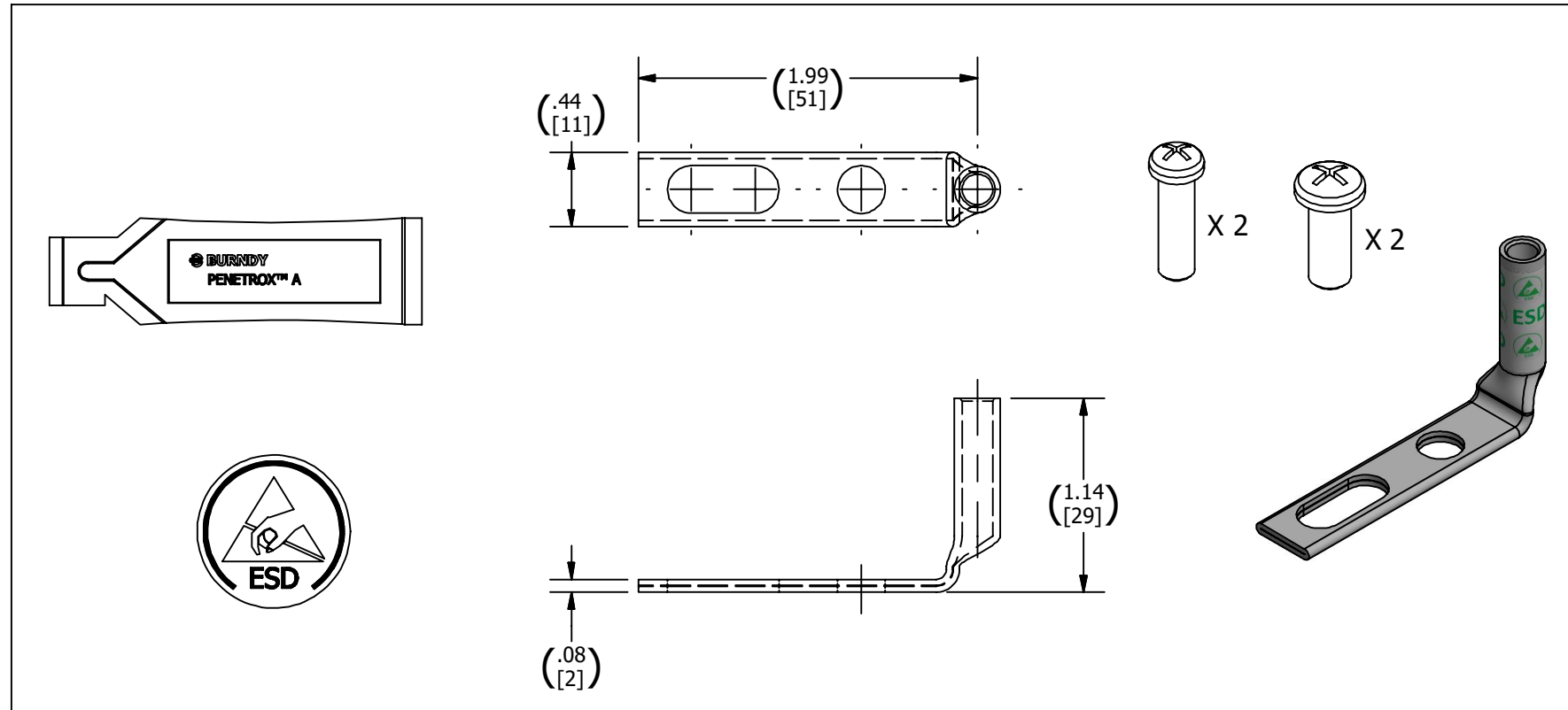
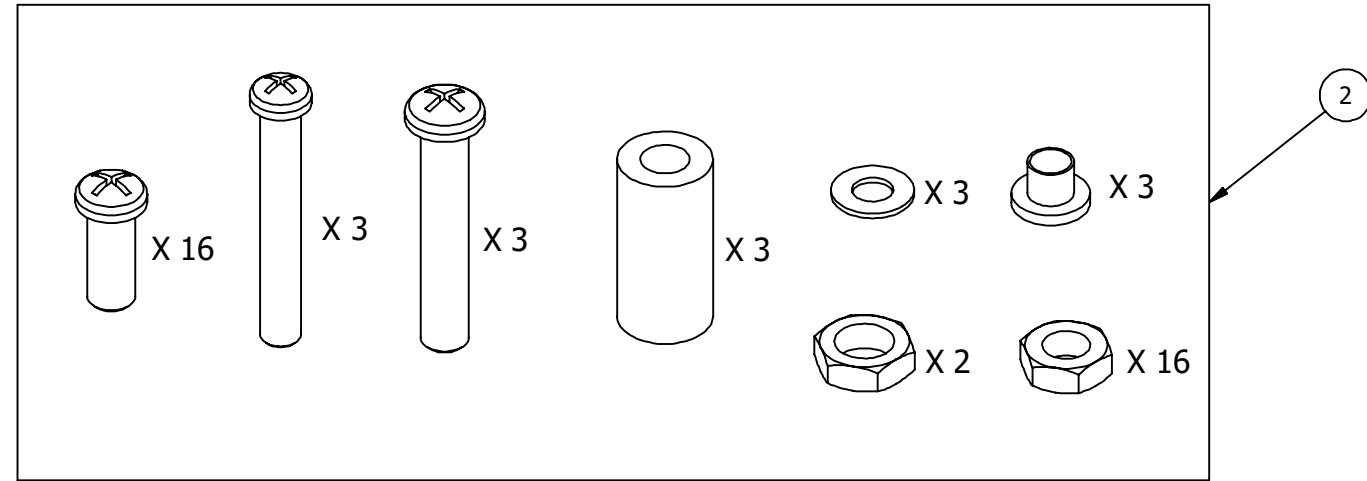
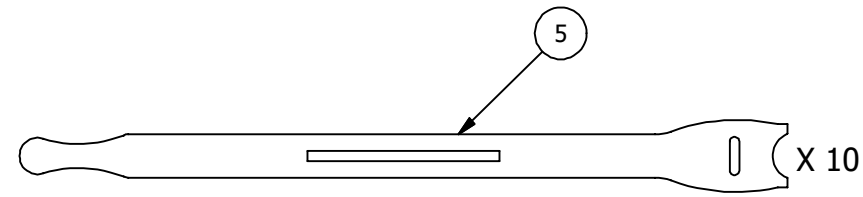
CANADA:
 1-800-361-6975 (QUEBEC)
 1-800-387-6487 (ALL OTHER PROVINCES)

FOR PRODUCT INFO: <http://www.burndy.com>

VERTICAL GROUNDING KIT

ITEM NO: 50087045	
CAT. NO: BGRKTVC	
DRAWN BY: B.PARTHIBAN 01/29/2018	
CHECKER: L.TROMBLEY 03/27/2018	
DSN APRV: L.TROMBLEY 03/27/2018	
MFG APRV: --	
QA APRV: B.POST 03/27/2018	
MKT APRV: J.VERRANAULT 03/27/2018	
PROD FAM: --	DRAWING NO
PROJECT #: --	50089396
DOCUMENT TYPE: SALES	SIZE
REL LEVEL: Released	B
	REV
	B
	SHEET 1 OF 2

REV	DATE	DESCRIPTION	ECO	BY	C'H'K.
B	10/15/2018	BOM DETAILS UPDATED	50063	PB	RG



TO ORDER BURNDY® PRODUCTS CALL		VERTICAL GROUNDING KIT	
UNITED STATES		ITEM NO: 50087045	
1-800-346-4175 (LONDONDERRY, NH)		CAT. NO: BGRKTVC	
CANADA:		DRAWN BY: B.PARTHIBAN 01/29/2018	
1-800-361-6975 (QUEBEC)		CHECKER: L.TROMBLEY 03/27/2018	
1-800-387-6487 (ALL OTHER PROVINCES)		DSN APRVL: L.TROMBLEY 03/27/2018	
FOR PRODUCT INFO: http://www.burndy.com		MFG APRVL: --	
		QA APRVL: B.POST 03/27/2018	
		MKT APRVL: J.VERRANAULT 03/27/2018	
PROJ #:		DRAWING NO	
SIZE		REV	
50089396		B	
SHEET 2 OF 2			