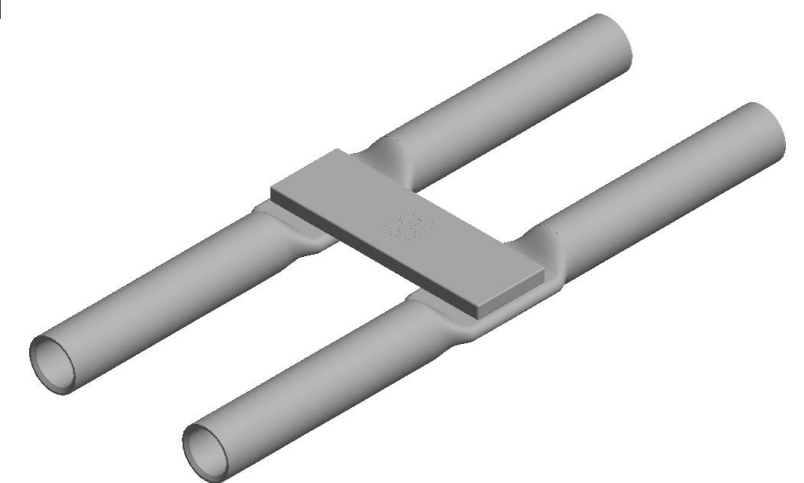
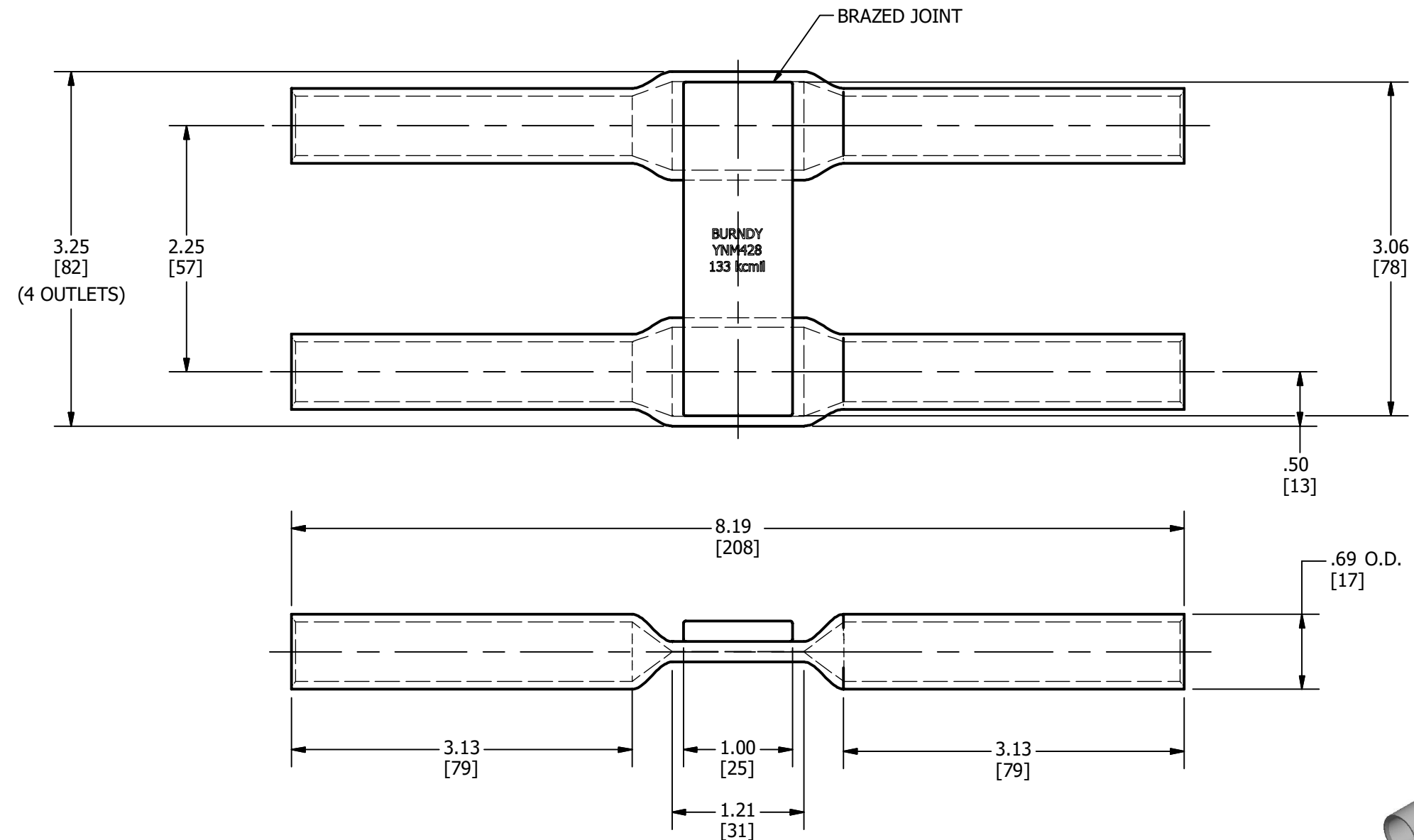


REV	DATE	DESCRIPTION	ECO	BY	C'HK.
A	02/14/2018	NEW SALES DRAWING CREATION	48788	RB	VS



NOTES:

1. MATERIAL: MEDIUM, HARD DRAWN COPPER
2. FINISH: ALL SURFACES BRAZED WITH SILVER BRAZING ALLOY.
3. DIMENSIONS IN BRACKETS [] ARE IN MILLIMETERS ROUNDED OFF TO THE NEAREST MILLIMETER, UNLESS OTHERWISE SPECIFIED AND ARE FOR REFERENCE ONLY.
4. TYPE YNM FURNISHED WITH NO RUBBER INSULATION WHEN USED IN NEUTRAL CIRCUIT.

TO ORDER BURNDY® PRODUCTS CALL		CRAB JOINT (4 OUTLETS)	
UNITED STATES 1-800-346-4175 (LONDONDERRY, NH)		ITEM NO: 229030-BUR	
CANADA: 1-800-361-6975 (QUEBEC) 1-800-387-6487 (ALL OTHER PROVINCES)		CAT. NO: YNM428	
FOR PRODUCT INFO: http://www.burndy.com		DRAWN BY: R. BABU 02/21/2018	
		CHECKER: S.VENKATESAN 02/21/2018	
		DSN APRVL: --	
		MFG APRVL: --	
		QA APRVL: --	
		MKT APRVL: --	
		PROD FAM: UNDER GROUND MECHANICAL CONNECTORS	
		DRAWING NO	
		50089478	
		REV	
		A	
		SHEET 1 OF 1	