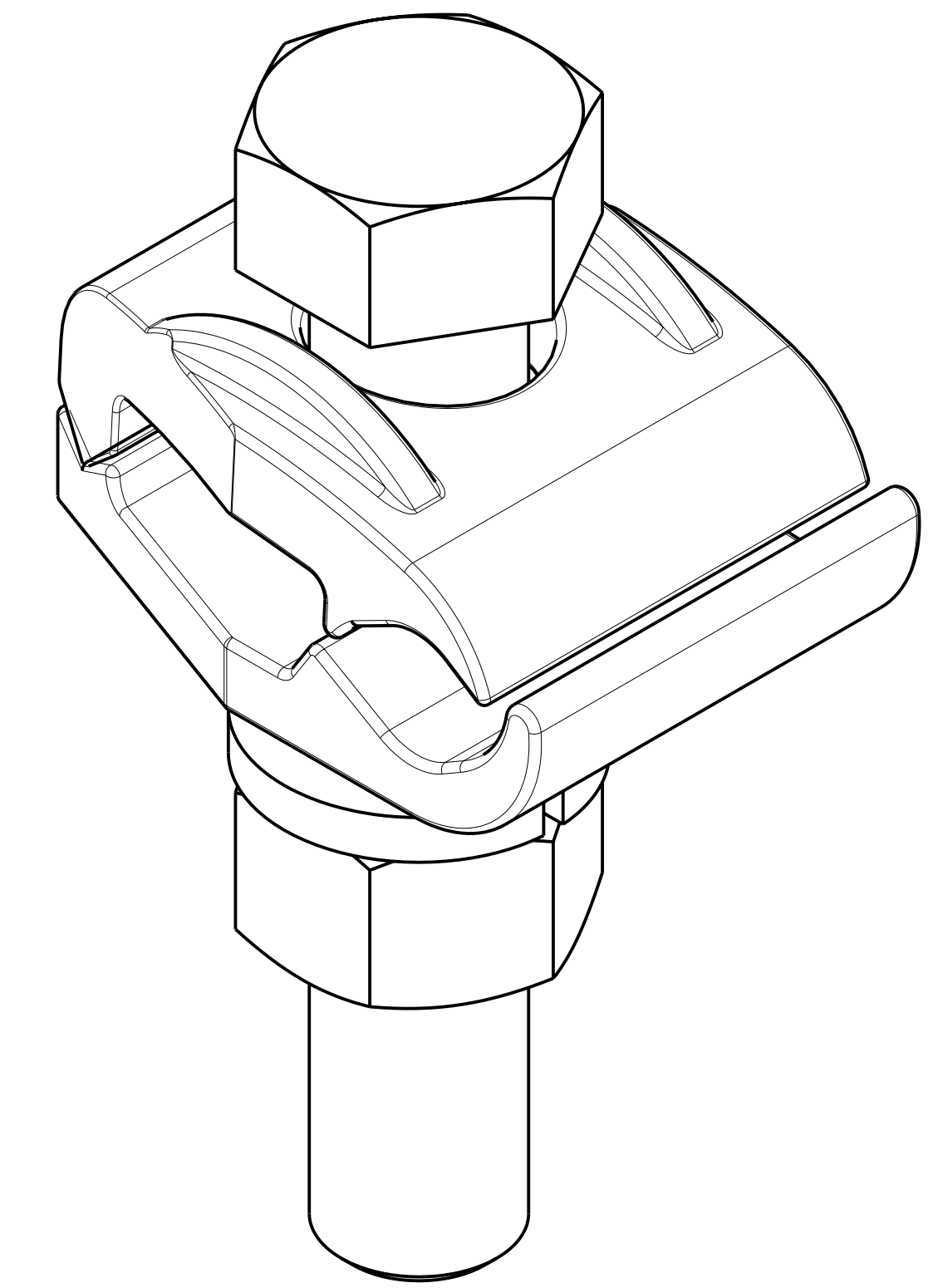
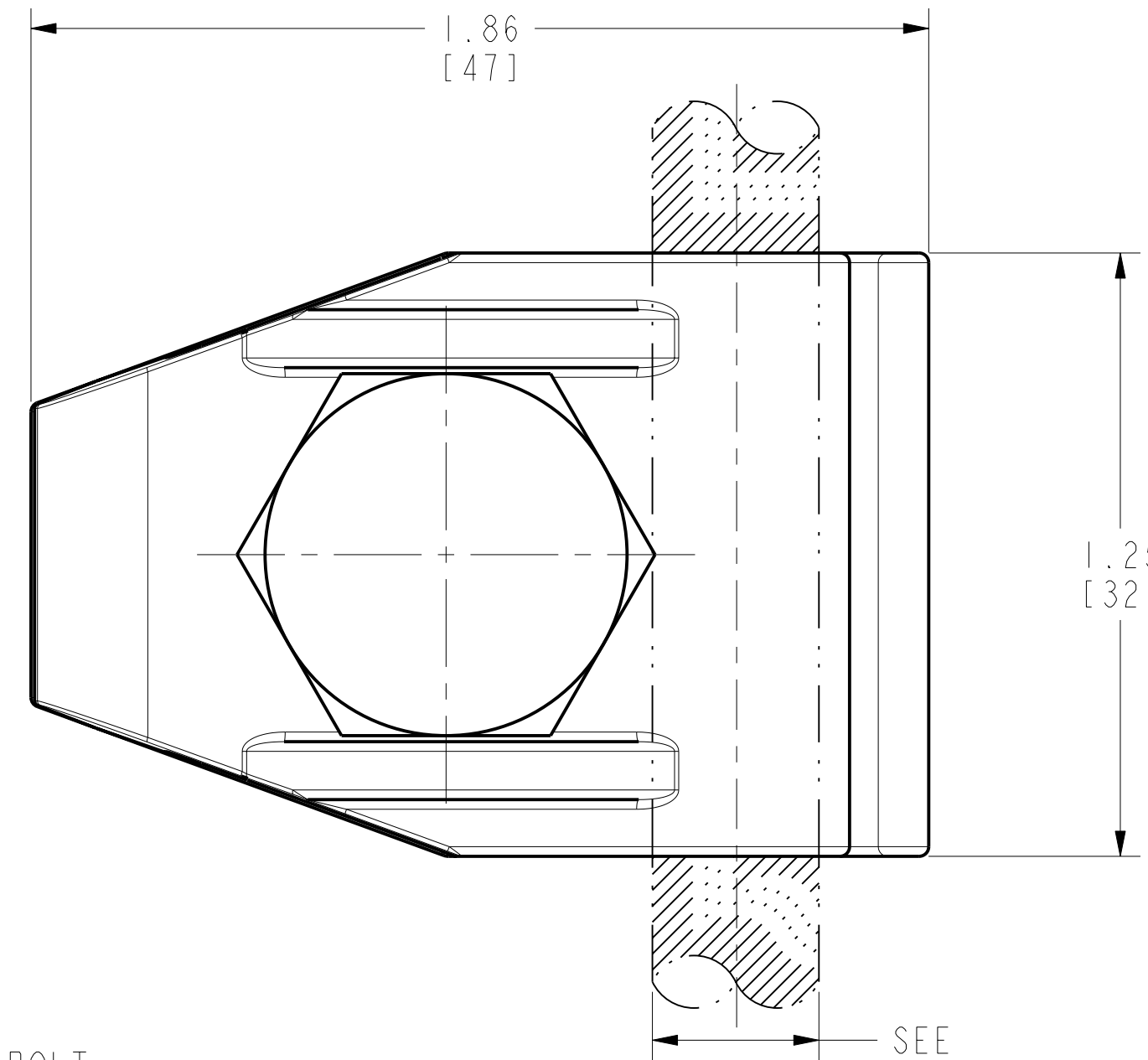


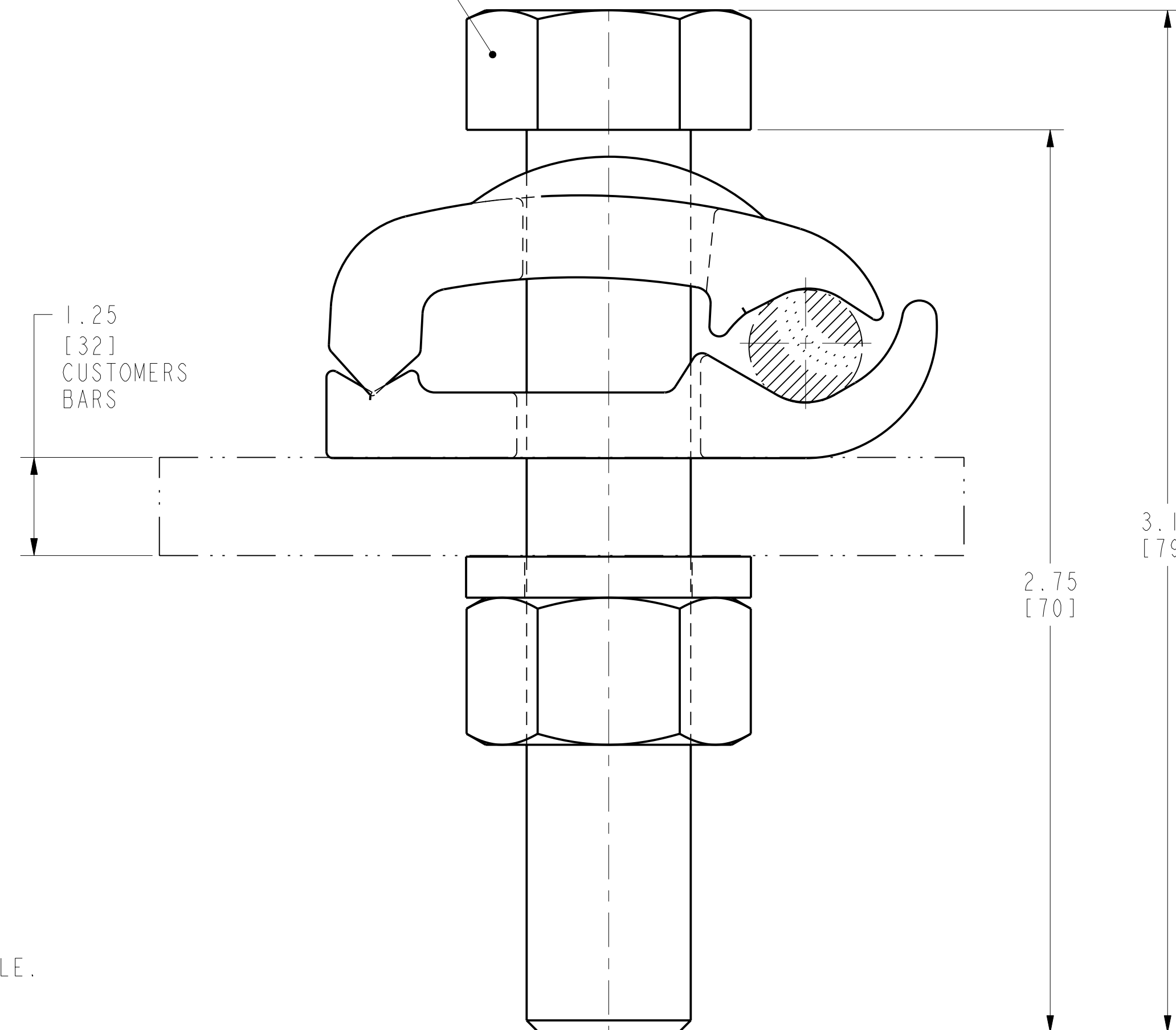
REV	DATE	DESCRIPTION	ECO	BY	C'H'K.
A	2018-03-06 00:00:00 EST	DRAWING RELEASED	48654	MK	NJS



3D VIEW

1/2"-13 HEX. HEAD SILICON BRONZE BOLT,
SILICON BRONZE SPLIT LOCKWASHER
& SILICON BRONZE HEX NUT

SEE
ACCOMMODATES 2



NOTES:

- 1 MATERIAL:
BODY & CAP : CAST COPPER ALLOY.
- 2 ACCOMMODATES: 2/0 SOL (.365 [9] DIA) - 250 Kcmil (.575 [15] DIA) COPPER CABLE.
- 3 NOMINAL BOLT INSTALLATION TORQUE:
1/2" HEX. SILICON BRONZE HARDWARE 480 IN-LBS [55 Nm]
- 4 DIMENSIONS IN BRACKETS [] DENOTES METRIC UNITS [SI UNITS]
AND ARE ROUNDED TO THE NEAREST WHOLE NUMBER. UNLESS
OTHERWISE SPECIFIED THESE UNITS SHALL BE USED FOR
REFERENCE ONLY.
- 5 END OF THE CATALOG NUMBER "W" DENOTES TIN PLATED CONNECTOR AND HARDWARE
- 6 MARKING:
BURNDY
GB29WT9
2/0 SOL-250 Kcmil CU

TO ORDER BURNDY® PRODUCTS CALL		GROUND CONNECTOR	
UNITED STATES 1-800-346-4175 (LONDONDERRY, NH)		ITEM NO: 27002081	CAT. NO: GB29WT9
CANADA: 1-800-361-6975 (QUEBEC) 1-800-387-6487 (ALL OTHER PROVINCES)		DRAWN BY: M KATHIR 03/07/18	CHECKER: L TROMBLEY 03/27/18
FOR PRODUCT INFO: http://www.burndy.com		DSN APPVL: L TROMBLEY 03/27/18	MFG APPVL: --
		GA APPVL: B POST 03/10/18	MKT APPVL: R RULAND 10/03/18
		PROD FAM: SUBSTATION	DRAWING NO: 50089501
		PROJECT #: --	SCALE: 1:2
		DOCUMENT TYPE: Sales	SHEET 1 OF 1
		REL LEVEL: Released	REV: A

REV: PEC200