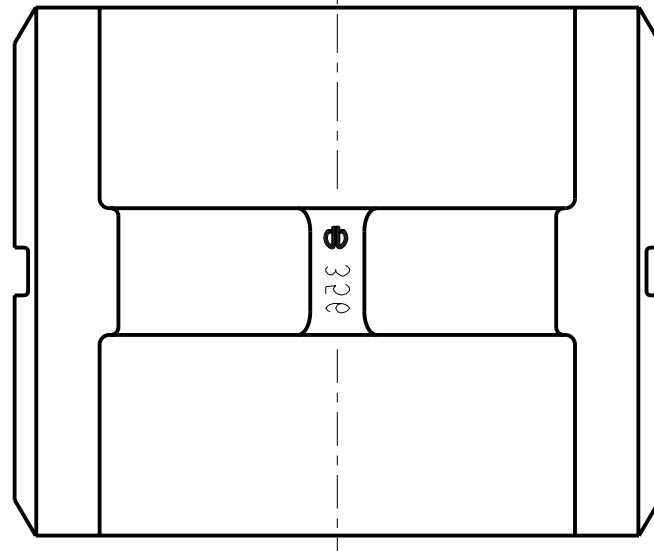
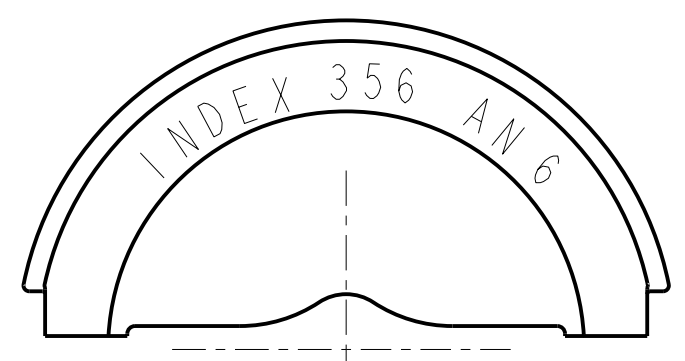
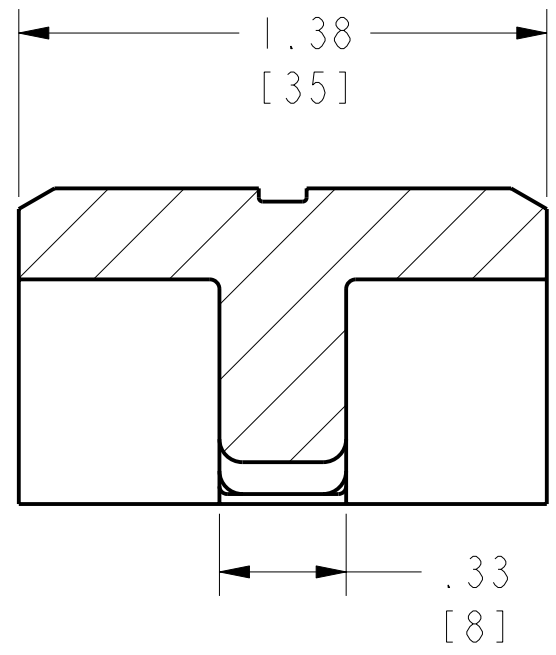
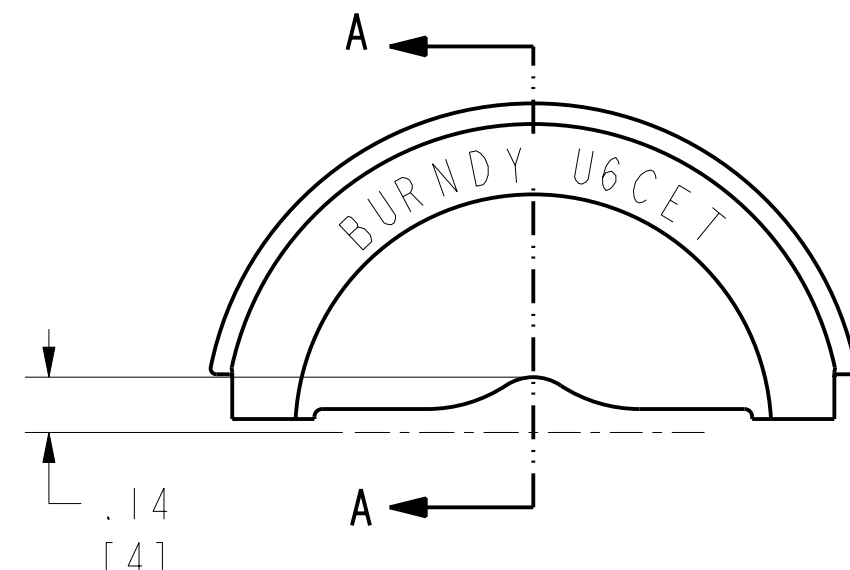


REV.	DATE	DESCRIPTION	ECO	BY	C'H'K.
A	2018-02-22 00:00:00 EST	NEW DRAWING CREATION	48591	MG	RM



SECTION A-A

NOTES:

1. DIMENSIONS IN BRACKETS [ ] ARE IN MILLIMETERS ROUNDED OFF TO THE NEAREST MILLIMETER, AND ARE FOR REFERENCE ONLY.
2. DIE INSPECTION GAUGE CATALOG NUMBER: UPG356
3. MATERIAL: STAINLESS STEEL
4. DIE SET INCLUDES TWO IDENTICAL DIE HALVES AS SHOWN.

TO ORDER BURNDY® PRODUCTS CALL  
 UNITED STATES:  
 1-800-346-4175 (LONDONDERRY, NH)  
 CANADA:  
 1-800-361-6975 (QUEBEC)  
 1-800-387-6487 (ALL OTHER PROVINCES)  
 FOR PRODUCT INFO: <http://www.burndy.com>

CIRCULAR BUTTING TWIN DIES			
ITEM NO: 421125			
CAT. NO: U6CET			
DRAWN BY:	M. GOPI	02/22/2018	
CHECKER:	P. WASON	02/23/2018	
DSN APPVL:	P. WASON	02/23/2018	
MFG APPVL:	--	--	
QA APPVL:	C. LINQUIST	02/23/2018	
MKT APPVL:	M. GUARRERA	02/23/2018	
PROD FAM:	--	--	SCALE: 2:1
PROJECT #:	--	SIZE	DRAWING NO
DOCUMENT TYPE:	Sales	B	50090190
REL LEVEL:	Released		SHEET 1 OF 1
			REV
			A

REV: PE0200