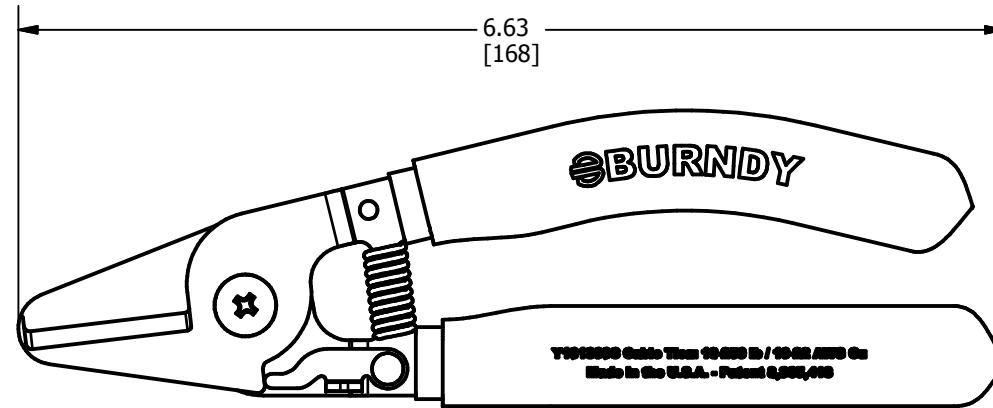
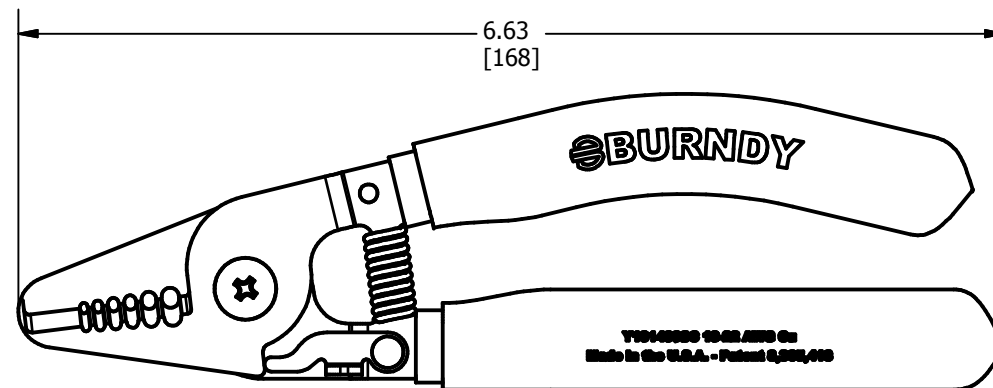


REV	DATE	DESCRIPTION	ECO	BY	C'H.K.
A	07/24/2018	RELEASE TO PRODUCTION	49499	PW	TF



CAT. NO: **Y101300C**
CABLE TIE / WIRE CUTTER

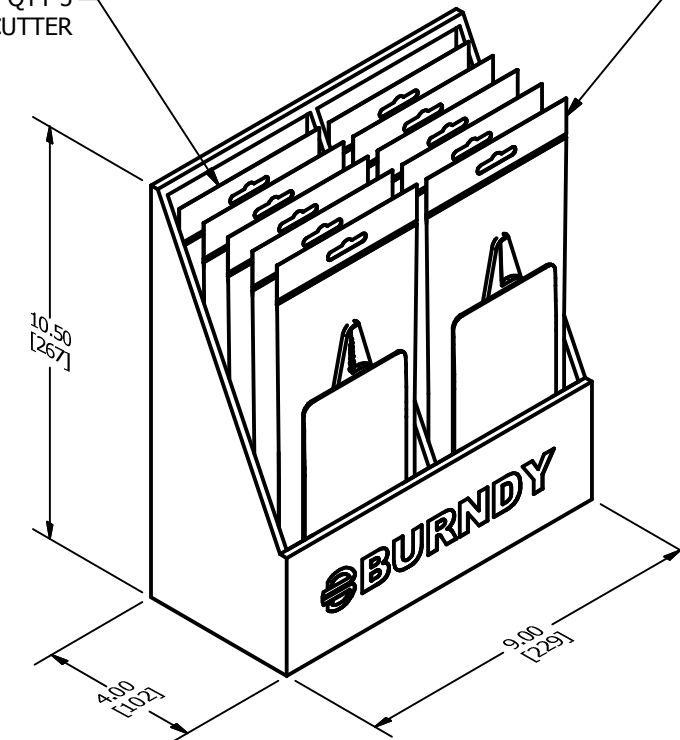
CAT. #	CUTS		STRIPS
	CABLE TIES	CU WIRE	CU WIRE
Y101300C	18-250 LB	#10-22 AWG	--
Y101400SC	--	#10-22 AWG	#10-22 AWG



CAT. NO: **Y101400SC**
WIRE STRIPPER / CUTTER

QTY 5
CABLE TIE / WIRE CUTTER

QTY 5
WIRE STRIPPER / CUTTER



CAT. NO: **Y101314DS**
COUNTERTOP DISPLAY SHIPPER

NOTES:

- DIMENSIONS IN BRACKETS [] ARE IN MILLIMETERS ROUNDED OFF TO THE NEAREST MILLIMETER, UNLESS OTHERWISE SPECIFIED AND ARE FOR REFERENCE ONLY.
- FEATURES AND BENEFITS:
 - PATENTED GUIDE ALLOWS THE BLADES TO SLIDE BEHIND TIES/WIRES WITHOUT NICKING OTHERS IN A BUNDLE.
 - CUTS AND STRIPS ACCURATELY AND CONSISTENTLY.
 - ERGONOMIC HANDLES REDUCE USER FATIGUE.
 - SCISSOR ACTION AUTO-SPRING LOCK IMPROVES USABILITY.
 - ALLOY STEEL BLADES ARE HEAT TREATED FOR LONG LIFE.

TO ORDER BURNDY® PRODUCTS CALL		CABLE TIE/WIRE CUTTER & WIRE STRIPPER/CUTTER	
UNITED STATES 1-800-346-4175 (LONDONDERRY, NH)		ITEM NO: --	
CANADA: 1-800-361-6975 (QUEBEC) 1-800-387-6487 (ALL OTHER PROVINCES)		CAT. NO: Y10-C	
FOR PRODUCT INFO: http://www.burndy.com		DRAWN BY: P. WASON 7/2/2018	
		CHECKER: T. FAUCHER 7/24/2018	
		DSN APRVL: P. WASON 7/23/2018	
		MFG APRVL: G. NOONE 7/24/2018	
		QA APRVL: B. POST 7/24/2018	
		MKT APRVL: K. SCHAEFER 7/24/2018	
		PROD FAM: --	
		DRAWING NO	
		50091061	
		REV	
		A	
		SHEET 1 OF 1	