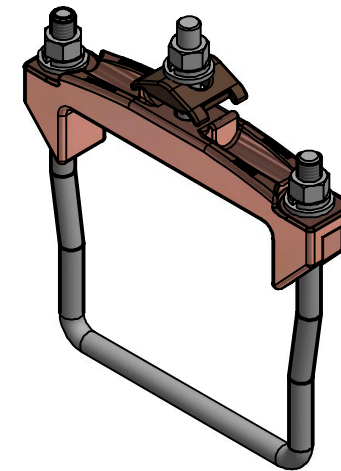
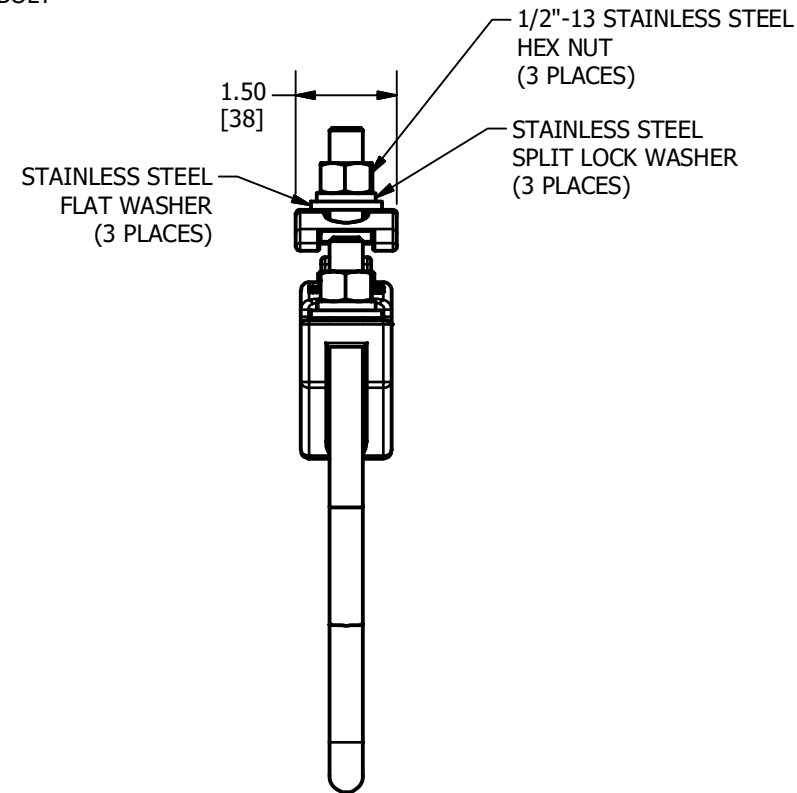
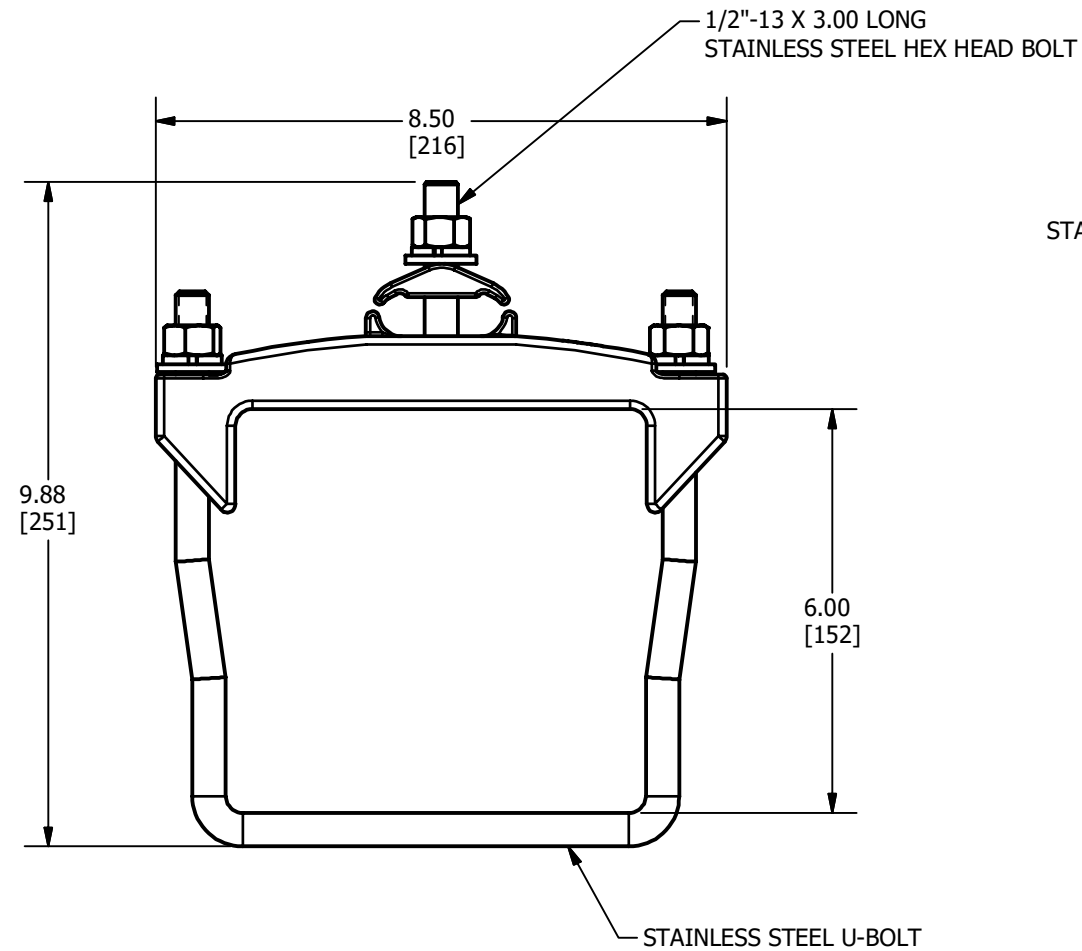


REV	DATE	DESCRIPTION	ECO	BY	C'H'K.
C	07/01/2019	BORDER UPDATED	51641	PB	RG



**NOTES:**

- MATERIAL: CAST COPPER ALLOY  
HARDWARE: STAINLESS STEEL
- DIMENSIONS IN BRACKETS [ ] ARE IN MILLIMETERS ROUNDED OFF TO THE NEAREST MILLIMETER, UNLESS OTHERWISE SPECIFIED AND ARE FOR REFERENCE ONLY.
- ACCOMODATES #4-4/0 SOL, #4-300KCMIL STR COPPER CONDUCTOR
- SUFFIX "TN" DENOTES TIN PLATING

TO ORDER BURNDY® PRODUCTS CALL		GROUND CLAMP FOR 6" SQUARE POST															
UNITED STATES 1-800-346-4175 (LONDONDERRY, NH)		ITEM NO: --															
CANADA: 1-800-361-6975 (QUEBEC) 1-800-387-6487 (ALL OTHER PROVINCES)		CAT. NO: GA600H30SS & GA600H30SSTN															
FOR PRODUCT INFO: <a href="http://www.burndy.com">http://www.burndy.com</a>		<table border="1"> <tr> <td>DRAWN BY: E.MARTIN</td> <td>04/23/2018</td> <td rowspan="5" style="text-align: center;"></td> </tr> <tr> <td>CHECKER: E.MARTIN</td> <td>05/09/2018</td> </tr> <tr> <td>DSN APRVL: E.MARTIN</td> <td>05/09/2018</td> </tr> <tr> <td>MFG APRVL: T.WAWRZYNIAK</td> <td>05/09/2018</td> </tr> <tr> <td>QA APRVL: J.HILLMAN</td> <td>05/09/2018</td> </tr> <tr> <td>MKT APRVL: R.RULAND</td> <td>05/09/2018</td> <td></td> </tr> </table>		DRAWN BY: E.MARTIN	04/23/2018		CHECKER: E.MARTIN	05/09/2018	DSN APRVL: E.MARTIN	05/09/2018	MFG APRVL: T.WAWRZYNIAK	05/09/2018	QA APRVL: J.HILLMAN	05/09/2018	MKT APRVL: R.RULAND	05/09/2018	
DRAWN BY: E.MARTIN	04/23/2018																
CHECKER: E.MARTIN	05/09/2018																
DSN APRVL: E.MARTIN	05/09/2018																
MFG APRVL: T.WAWRZYNIAK	05/09/2018																
QA APRVL: J.HILLMAN	05/09/2018																
MKT APRVL: R.RULAND	05/09/2018																
PROJ #:	SIZE	DRAWING NO	REV														
PROJECT #:	B	50091369	C														
DOCUMENT TYPE: SALES																	
REL LEVEL: Released		SHEET 1 OF 1															