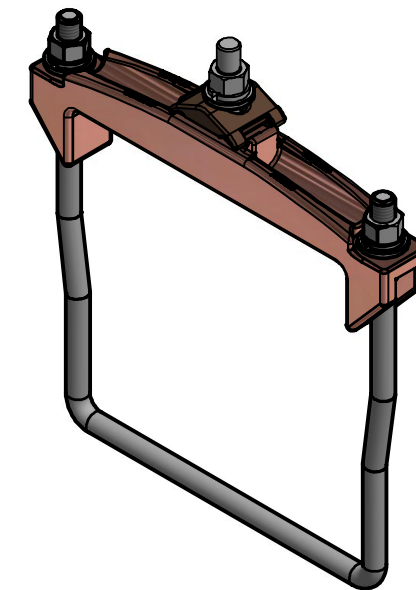
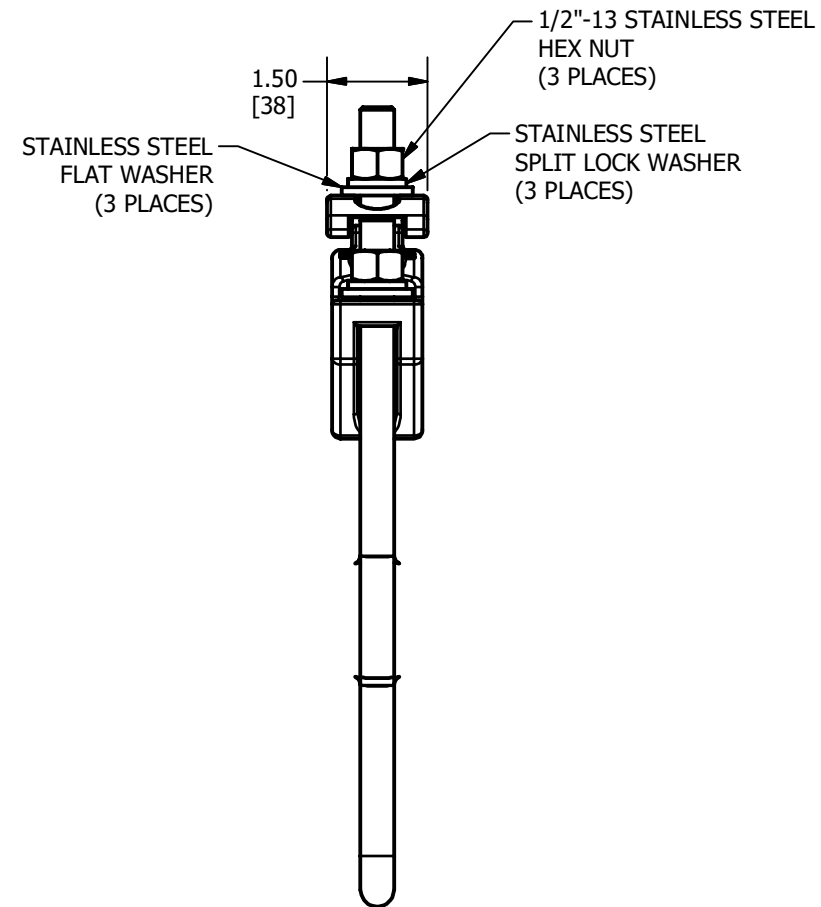
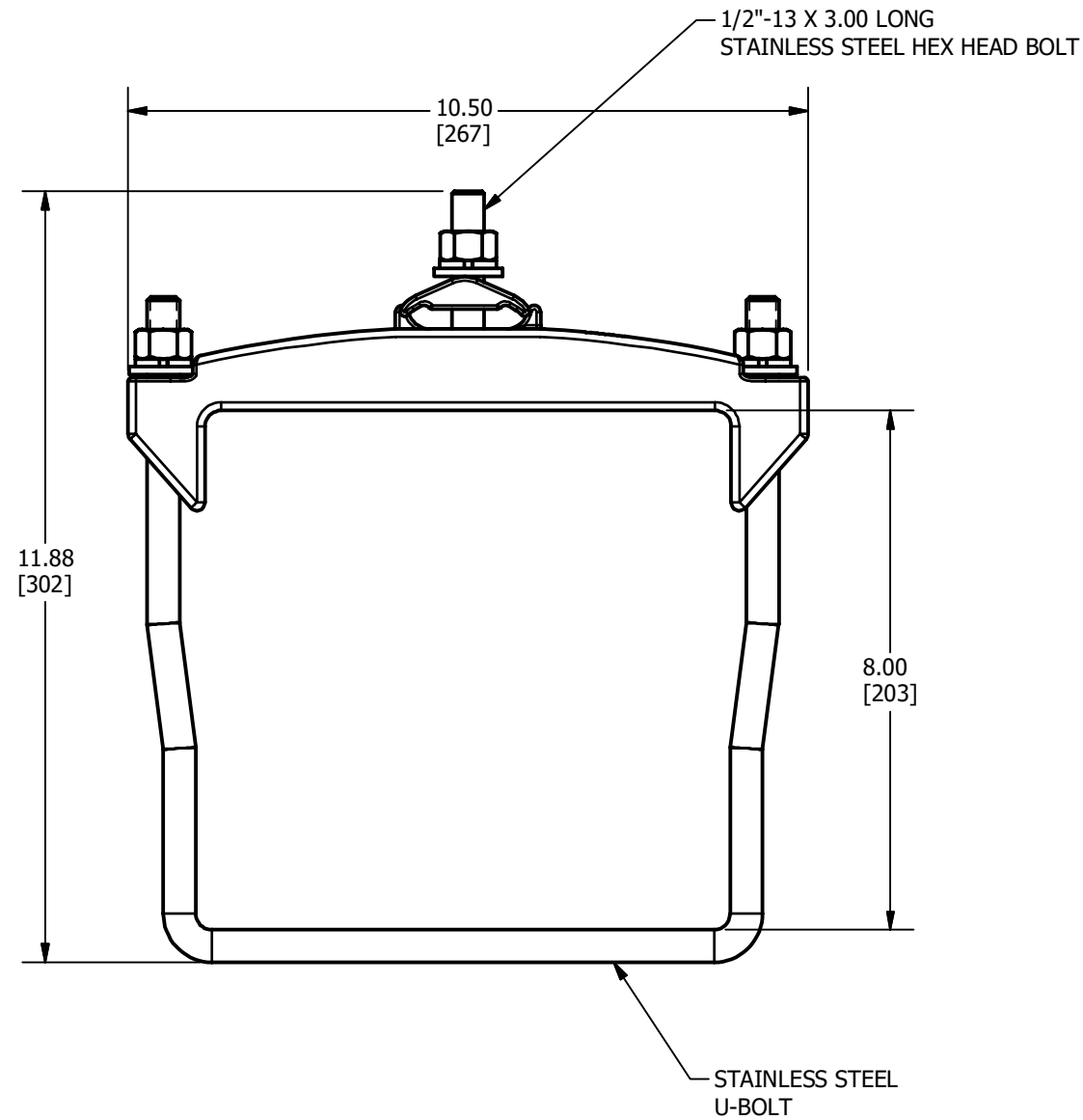


REV	DATE	DESCRIPTION	ECO	BY	C'H'K.
C	07/01/2019	BORDER UPDATED	51641	PB	RG



NOTES:

- MATERIAL: CAST COPPER ALLOY
HARDWARE: STAINLESS STEEL
- DIMENSIONS IN BRACKETS [] ARE IN MILLIMETERS ROUNDED OFF TO THE NEAREST MILLIMETER, UNLESS OTHERWISE SPECIFIED AND ARE FOR REFERENCE ONLY.
- ACCOMODATES #4-4/0 SOL, #4-300KCMIL STR COPPER CONDUCTOR
- SUFFIX "TN" DENOTES TIN PLATING.

TO ORDER BURNDY® PRODUCTS CALL		GROUND CLAMP FOR 8" SQUARE POST														
UNITED STATES 1-800-346-4175 (LONDONDERRY, NH)		ITEM NO: --														
CANADA: 1-800-361-6975 (QUEBEC) 1-800-387-6487 (ALL OTHER PROVINCES)		CAT. NO: GA800H30SS & GA800H30SSTN														
FOR PRODUCT INFO: http://www.burndy.com		<table border="1"> <tr> <td>DRAWN BY: E.MARTIN</td> <td>04/23/2018</td> <td rowspan="6" style="text-align: center;">BURNDY</td> </tr> <tr> <td>CHECKER: E.MARTIN</td> <td>05/09/2018</td> </tr> <tr> <td>DSN APRVL: E.MARTIN</td> <td>05/09/2018</td> </tr> <tr> <td>MFG APRVL: T.WAWRZYNIAK</td> <td>05/09/2018</td> </tr> <tr> <td>QA APRVL: J.HILLMAN</td> <td>05/09/2018</td> </tr> <tr> <td>MKT APRVL: R.RULAND</td> <td>05/09/2018</td> </tr> </table>		DRAWN BY: E.MARTIN	04/23/2018	BURNDY	CHECKER: E.MARTIN	05/09/2018	DSN APRVL: E.MARTIN	05/09/2018	MFG APRVL: T.WAWRZYNIAK	05/09/2018	QA APRVL: J.HILLMAN	05/09/2018	MKT APRVL: R.RULAND	05/09/2018
DRAWN BY: E.MARTIN	04/23/2018	BURNDY														
CHECKER: E.MARTIN	05/09/2018															
DSN APRVL: E.MARTIN	05/09/2018															
MFG APRVL: T.WAWRZYNIAK	05/09/2018															
QA APRVL: J.HILLMAN	05/09/2018															
MKT APRVL: R.RULAND	05/09/2018															
PROJ #:	SIZE	DRAWING NO	REV													
PROJECT #:	B	50091372	C													
DOCUMENT TYPE: SALES																
REL LEVEL: Released		SHEET 1 OF 1														