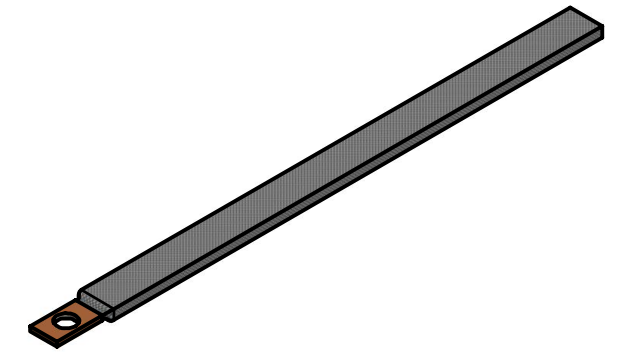
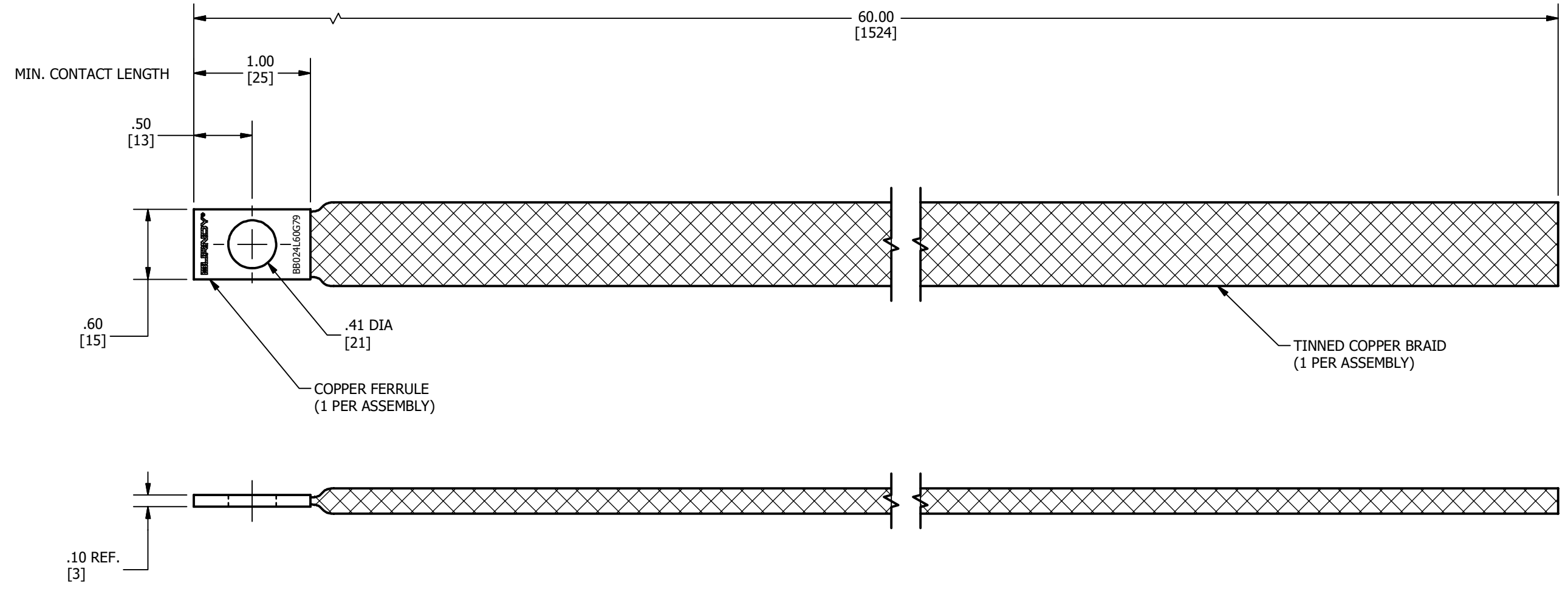


REV	DATE	DESCRIPTION	ECO	BY	CHK.
A	05/15/2018	FPN1804075	49092	BK	VS



NOTES:  
 1. DIMENSIONS IN BRACKETS [ ] ARE IN MILLIMETERS ROUNDED OFF TO THE NEAREST MILLIMETER, UNLESS OTHERWISE NOTED, AND ARE FOR REFERENCE ONLY.

TO ORDER BURNDY® PRODUCTS CALL		BRAID													
UNITED STATES 1-800-346-4175 (LONDONDERRY, NH)		ITEM NO: 50091461													
CANADA: 1-800-361-6975 (QUEBEC) 1-800-387-6487 (ALL OTHER PROVINCES)		CAT. NO: BB024L60G79													
FOR PRODUCT INFO: <a href="http://www.burndy.com">http://www.burndy.com</a>		<table border="1"> <tr> <td>DRAWN BY: K.BALAJI</td> <td>05/15/2018</td> </tr> <tr> <td>CHECKER: S.VENKATESAN</td> <td>05/15/2018</td> </tr> <tr> <td>DSN APRVL: S.CARBONNEAU</td> <td>05/17/2018</td> </tr> <tr> <td>MFG APRVL: P.MARTEL</td> <td>05/22/2018</td> </tr> <tr> <td>QA APRVL: C.LINDQUIST</td> <td>05/22/2018</td> </tr> <tr> <td>MKT APRVL: K.ROBICHEAU</td> <td>05/17/2018</td> </tr> </table>		DRAWN BY: K.BALAJI	05/15/2018	CHECKER: S.VENKATESAN	05/15/2018	DSN APRVL: S.CARBONNEAU	05/17/2018	MFG APRVL: P.MARTEL	05/22/2018	QA APRVL: C.LINDQUIST	05/22/2018	MKT APRVL: K.ROBICHEAU	05/17/2018
DRAWN BY: K.BALAJI	05/15/2018														
CHECKER: S.VENKATESAN	05/15/2018														
DSN APRVL: S.CARBONNEAU	05/17/2018														
MFG APRVL: P.MARTEL	05/22/2018														
QA APRVL: C.LINDQUIST	05/22/2018														
MKT APRVL: K.ROBICHEAU	05/17/2018														
<table border="1"> <tr> <td>PROD FAM: MECHANICAL GROUNDING</td> <td>DRAWING NO</td> <td>REV</td> </tr> <tr> <td>PROJECT #: --</td> <td>SIZE</td> <td>50091433</td> </tr> <tr> <td>DOCUMENT TYPE: SALES</td> <td>B</td> <td>A</td> </tr> <tr> <td>REL LEVEL: Released</td> <td colspan="2">SHEET 1 OF 1</td> </tr> </table>		PROD FAM: MECHANICAL GROUNDING	DRAWING NO	REV	PROJECT #: --	SIZE	50091433	DOCUMENT TYPE: SALES	B	A	REL LEVEL: Released	SHEET 1 OF 1			
PROD FAM: MECHANICAL GROUNDING	DRAWING NO	REV													
PROJECT #: --	SIZE	50091433													
DOCUMENT TYPE: SALES	B	A													
REL LEVEL: Released	SHEET 1 OF 1														