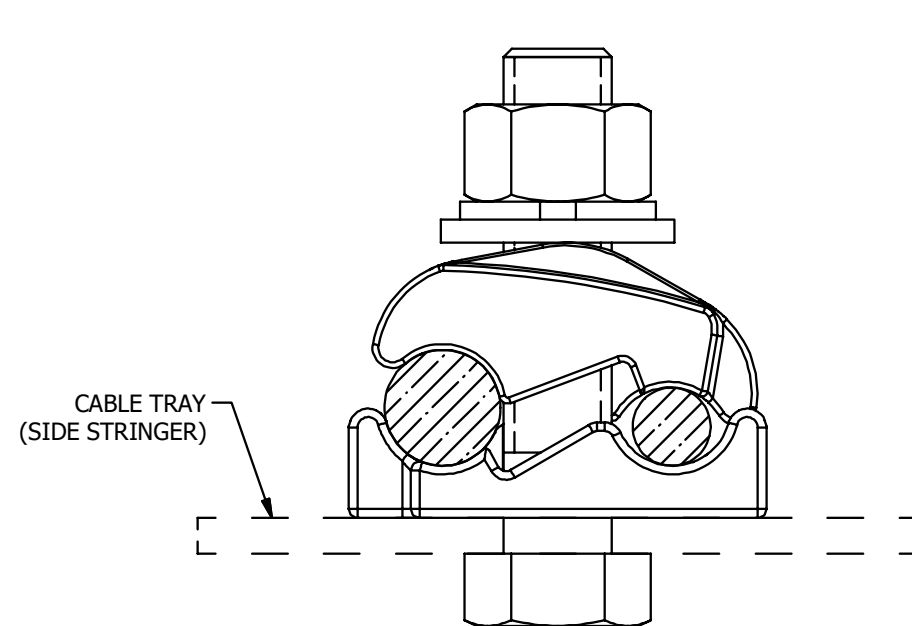
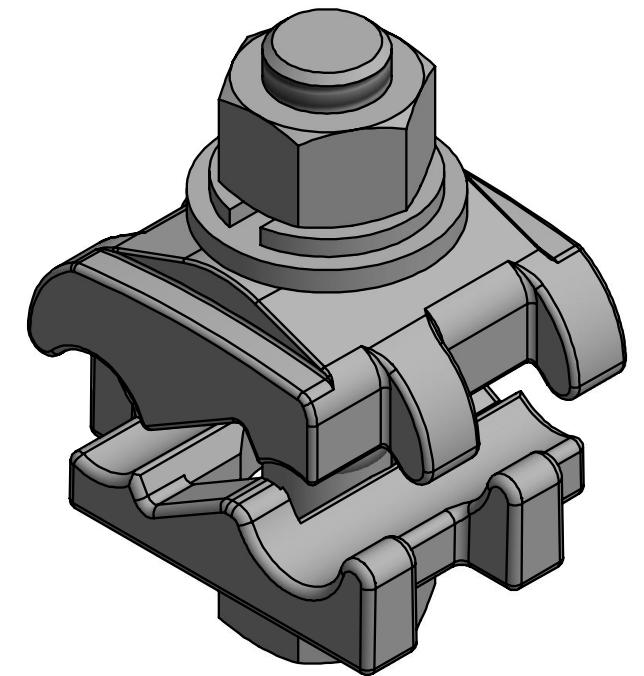
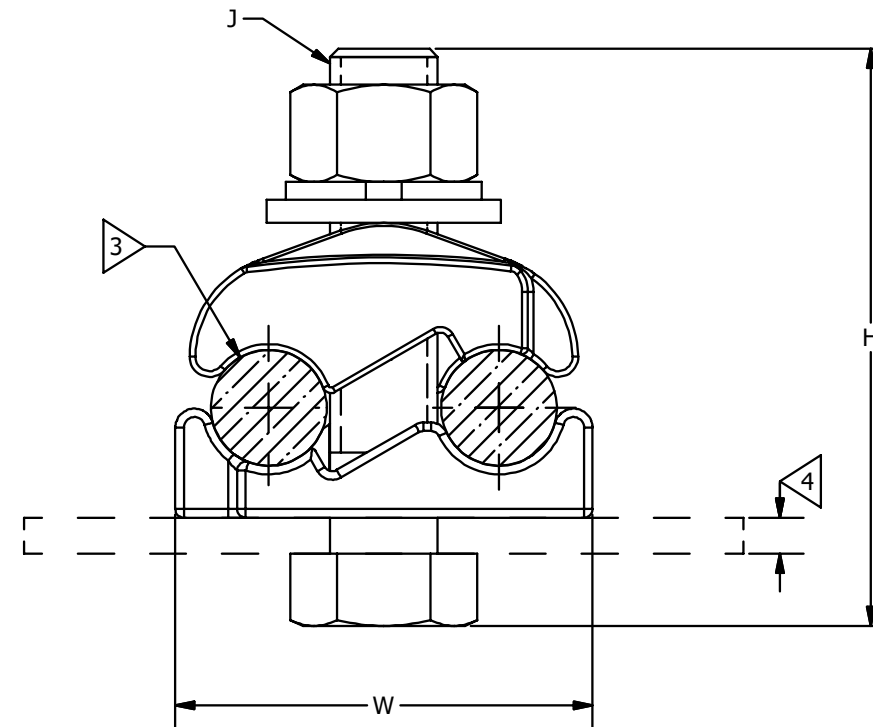


CATALOG NO.	ITEM NUMBER	CU. OR ALUM. CONDUCTORS ACCOMMODATION		B	NUT CROSS FLATS	H	J	W	RECOMMEND TRAY NOM. HOLE DIA.	TORQUE LBS / IN (N/m)
		AWG	METRIC WIRE SIZE							
GC2525CTHEX314	26424E	#6 SOL (.162) - 1/0 STR (.372)	16mm ² STR [5.13] 50mm ² STR [9.27]	1.12 [28.5]	.56 [14.2]	3.48 [88.5]	3/8"-16	1.45 [36.8]	.40 [10.2]	240 [27]

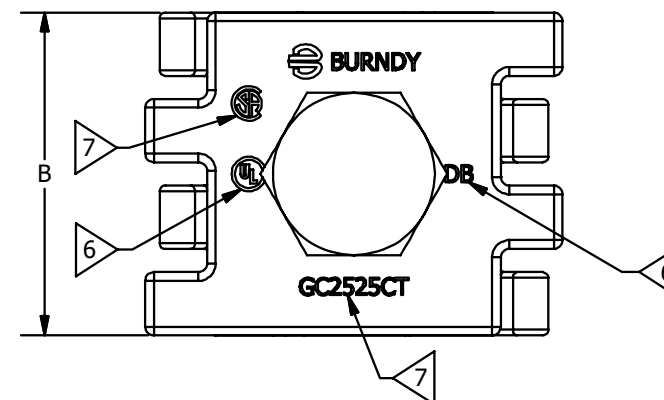
REV	DATE	DESCRIPTION	ECO	BY	C'H'K.
A	04-06-2018	CREATE ASSEMBLY SALES DRAWING FOR CAT.# GC2525CTHEX314	49199	TM	KN



VIEW SHOWING MINIMUM AND MAXIMUM CABLE



3D VIEW



NOTES:

1. MATERIAL: CAST COPPER ALLOY.
GALVANIZED STEEL (BOLT, NUT & WASHER).
2. FINISH: TIN PLATED.
3. CONNECTORS ACCOMMODATE EITHER ONE OR TWO CONDUCTORS IN THE RANGE SPECIFIED.
PENETROXN™ NOTE: (FOR ALUMINUM CONDUCTORS ONLY)
SCRATCH BRUSH CONDUCTOR ONLY THEN APPLY PENETROX™ 'A'. PENETROX™ 'A' CAN BE PURCHASED FROM BURNDY IN CANS OR PLASTIC SQUEEZE BOTTLES.
4. ACCOMMODATES WALL THICKNESS OF .125 MAX.
5. DIMENSIONS IN BRACKETS [] ARE IN MILLIMETERS ROUNDED OFF TO THE NEAREST MILLIMETER, UNLESS OTHERWISE NOTED, AND ARE FOR REFERENCE ONLY.
6. UL467 LISTED FOR COPPER CONDUCTOR ONLY, TO BE INSTALLED ON ALUMINUM OR GALVANIZED STEEL CABLE TRAY.
FILE NO. E9999, SUITABLE FOR DIRECT BURIAL IN CONCRETE OR EARTH.
7. CSA 22.2 NO.41 LISTED FOR COPPER CONDUCTOR ONLY, TO BE INSTALLED ON ALUMINUM OR GALVANIZED STEEL CABLE TRAY.
8. SUFFIX "NK" INDICATES NICKEL PLATED VERSION.

TO ORDER BURNDY PRODUCTS CALL
 UNITED STATES
 1-800-346-4175 (LONDONDERRY, NH)
 CANADA:
 1-800-361-6975 (QUEBEC)
 1-800-387-6487 (ALL OTHER PROVINCES)
 FOR PRODUCT INFO: <http://www.burndy.com>

GROUND CLAMP ASSY	
ITEM NO: 26424E	
CAT. NO: GC2525CTHEX314	
DRAWN BY: M. THAMARAI 28-05-2018	
CHECKER: R. REID RULAND 09-06-2018	
DSN APRVL: L. TROMBLEY 08-06-2018	
MFG APRVL: --	
QA APRVL: J. HILLMAN 11-06-2018	
MKT APRVL: --	
PROD FAM: WILEY	DRAWING NO
PROJECT #: SALES	50091767
REL LEVEL: Released	SIZE B
	SHEET 1 OF 1
	REV A