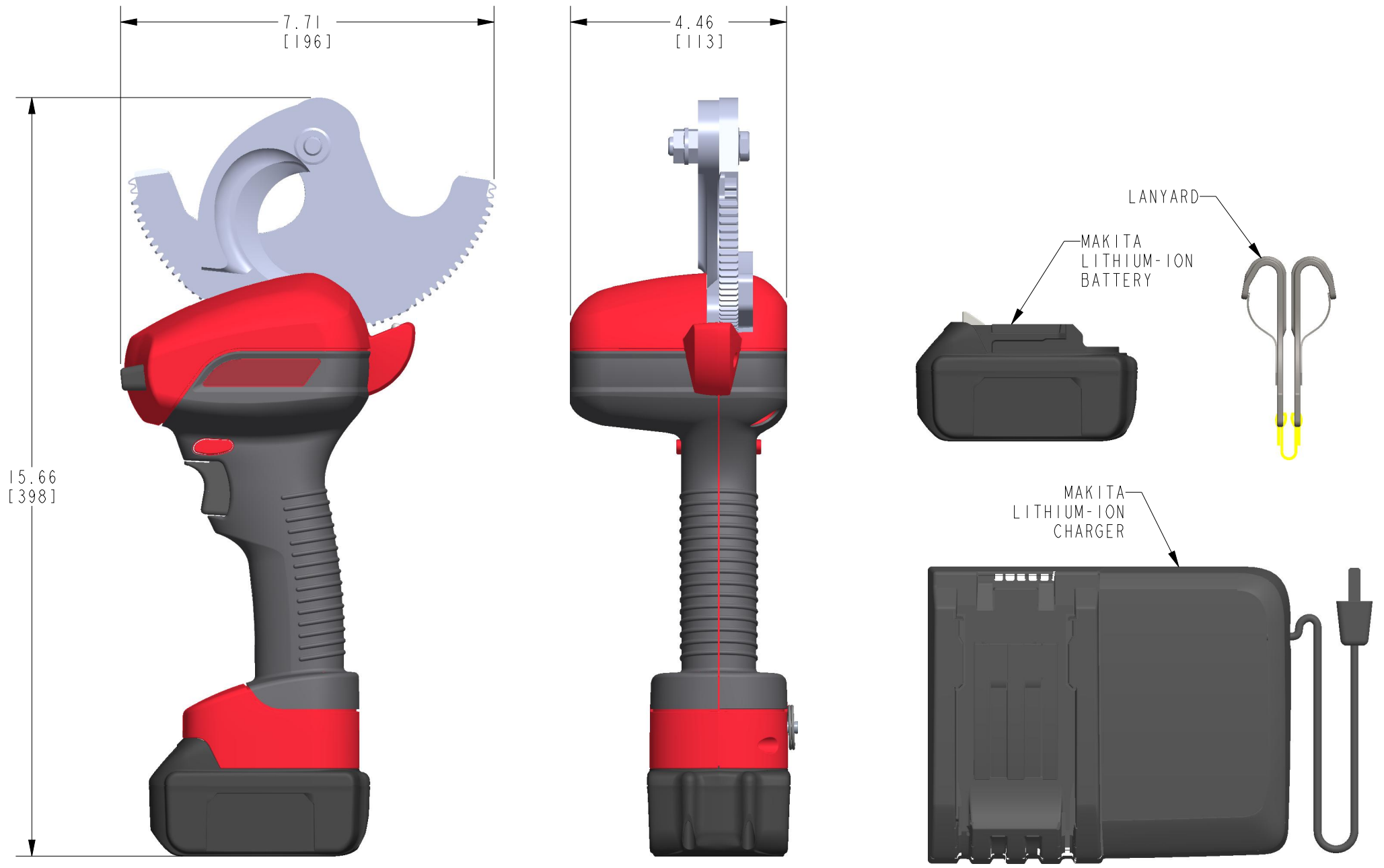


CATALOG NUMBER	DESCRIPTION	CHARGER CAT NO.	BATTERY CAT NO.	BATTERY QTY.	CASE	BAG	LANYARD
PATCUT1500LI	PATCUT1500 WITH 120V CHARGER, 3ah BATTERY	PATCHGRLI	BAT18VLI	1	YES	NO	YES
PATCUT1500L5	PATCUT1500 WITH 120V CHARGER, 5ah BATTERY	PATCHGRLI	BAT18V5AHLI	1	YES	NO	YES
PATCUT1500LCB	PATCUT1500 LESS CHARGER & BATTERY	--	--	--	YES	NO	YES
PATCUT1500BAGLI	PATCUT1500 WITH 120V CHARGER & BAG, 3ah BATTERY	PATCHGRLI	BAT18VLI	1	NO	YES	YES
PATCUT1500BAGL5	PATCUT1500 WITH 120V CHARGER & BAG, 5ah BATTERY	PATCHGRLI	BAT18V5AHLI	1	NO	YES	YES
PATCUT1500BAGLCB	PATCUT1500 WITH BAG LESS CHARGER & BATTERY	--	--	--	NO	YES	YES

REV.	DATE	DESCRIPTION	ECO	BY	C'H'K.
A	2019-02-13 00:00:00 EST	DRAWING RELEASED	50593	TRF	CMT



SPECIFICATIONS:

CUTTING TOOL DRIVE UNIT: 18.0 V DC MOTOR
 WEIGHT: 8.1 LBS WITH BATTERY
 CONTINUOUS CUTTING CAPACITY: 1000 kcmil SOFT DRAWN COPPER
 1500 kcmil ALUMINUM

COLOR: RED & BLACK
 BATTERY TYPE: MAKITA LITHIUM ION
 VOLTAGE: 18V DC
 RATED CAPACITY: 2.0 - 6.0 Ah
 CHARGE TIME: 30-45 MINUTES

NOTES:

- DIMENSIONS IN BRACKETS [] ARE IN MILLIMETERS, ROUNDED OFF TO THE NEAREST MILLIMETER UNLESS OTHERWISE NOTED. METRIC DIMENSIONS ARE FOR REFERENCE ONLY.

TO ORDER BURNDY® PRODUCTS CALL
 UNITED STATES:
 1-800-346-4175 (LONDONDERRY, NH)
 CANADA:
 1-800-361-6975 (QUEBEC)
 1-800-387-6487 (ALL OTHER PROVINCES)
 FOR PRODUCT INFO: <http://www.burndy.com>

PATCUT1500 BATTERY OPERATED CUTTER	
ITEM NO:	SEE TABLE
CAT. NO.:	SEE TABLE
DRAWN BY:	T. FAUCHER 10/10/2018
CHECKER:	C. TORREY 10/10/2018
DSN APPVL:	C. TORREY 02/12/2019
MFG APPVL:	B. BENEDICT 02/12/2019
QA APPVL:	C. LINDQUIST 02/13/2019
MKT APPVL:	K. SCHAEFER 02/12/2019
PROJ FAM:	TOOLS, BATTERY
PROJECT #:	NPD02318
DOCUMENT TYPE:	Sales
REL LEVEL:	Released
SCALE:	3:8
DRAWING NO:	50093502
REV:	A
SHEET:	1 OF 1

REV: PE0200