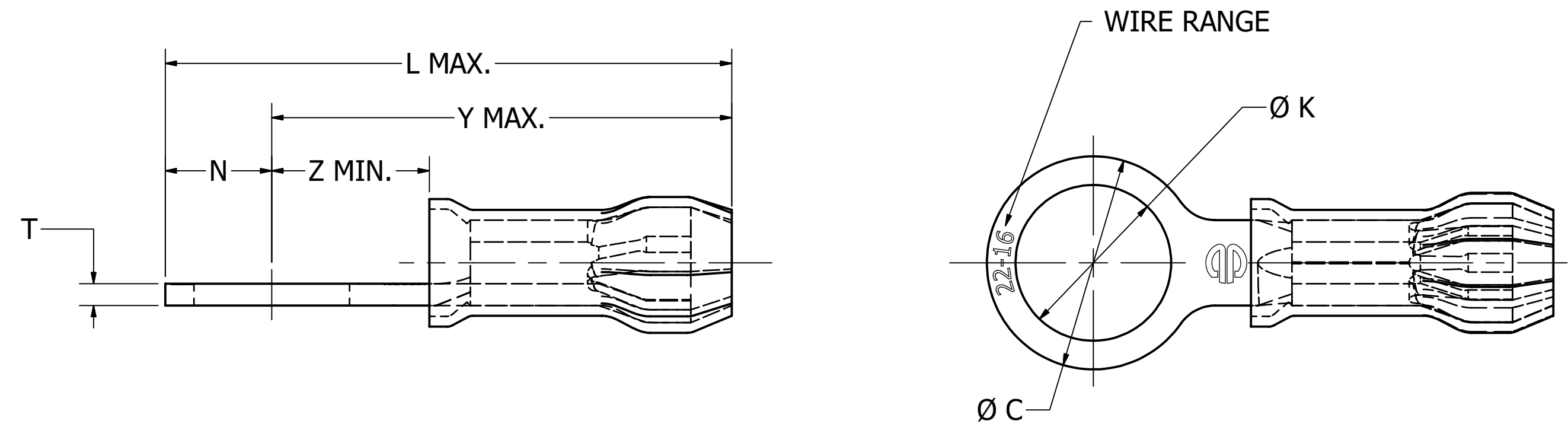
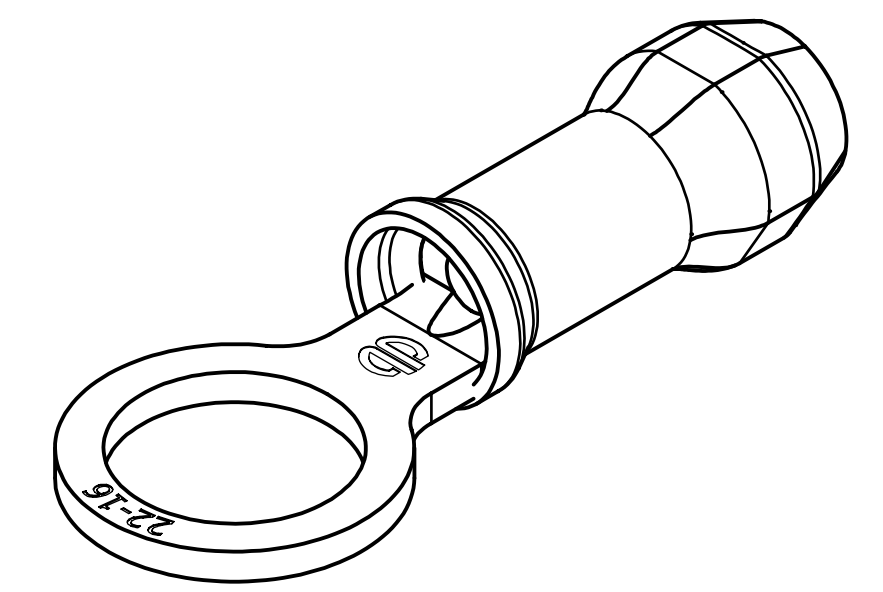


| WIRE SIZE (AWG) | STUD SIZE | CATALOG NUMBER | BULK CATALOG NUMBER | TAPE MOUNTED CATALOG NUMBER 2000/REEL | AS25036 DASHNO. | SAE CLASS# | | C | | K | | LMAX. | N | | T ±.01 [±.25] | YMAX. | ZMIN. | MAX WIRE INSUL. DIA. ACCOM. | WIRE STRIP LENGTH ±.03 [±.8] | COLOR CODE | INSTALLATION TOOLING (ONECRIMP) |
|---------------------|-----------|----------------|---------------------|---------------------------------------|-----------------|------------|---|------------|------------|------------|-----------|-------------|-----------|-----------|---------------|------------|-----------|-----------------------------|------------------------------|------------|---|
| | | | | | | 1 | 2 | MAX. | MIN. | MAX. | MIN. | | MAX. | MIN. | | | | | | | |
| 22-16 Str. and Sol. | 2 | YAE18N27BOX | YAE18N27 | - | - | - | - | .19 [4.9] | .18 [4.6] | .10 [2.5] | .09 [2.3] | .77 [19.6] | .10 [2.5] | .09 [2.2] | .03 [.8] | .70 [17.8] | .19 [4.9] | .12 [3.2] | 3/16" [4.8] | RED | Y6NCB [J1022NC1], Y6NCP1 [J1022NC1], Y1022, MRE1022NV |
| | | YAE18N29BOX | YAE18N29 | - | - | - | - | .14 [3.7] | .14 [3.4] | | | .76 [19.2] | .08 [2.0] | .07 [1.8] | | | | | | | |
| | 4 | YAE18N7BOX | YAE18N7 | - | - | - | - | .26 [6.5] | .24 [6.2] | .12 [3.0] | .11 [2.8] | .80 [20.4] | .13 [3.3] | .12 [3.0] | | | | | | | |
| | | YAE18N17BOX | YAE18N17 | - | 148 | - | X | | | | | | | | | | | | | | |
| | | YAE18N26BOX | YAE18N26 | YAE18N26M | - | - | - | .22 [5.7] | .21 [5.4] | | | .79 [20.0] | .11 [2.9] | .10 [2.6] | | | | | | | |
| | 3mm | - | YAE18N70 | - | - | - | - | | | .13 [3.3] | .12 [3.0] | | | | | | | | | | |
| | | - | YAE18N21 | YAE18N21M | 102 | - | X | .26 [6.5] | .24 [6.2] | .15 [3.8] | .14 [3.6] | .89 [22.7] | .13 [3.3] | .12 [3.0] | | | | | | | |
| | 6 | YAE18N25BOX | YAE18N25 | - | - | - | - | .22 [5.7] | .21 [5.4] | | | .79 [20.0] | .11 [2.9] | .10 [2.6] | | | | | | | |
| | | - | YAE18G43 | - | 101 | - | X | .26 [6.5] | .24 [6.2] | | | .80 [20.4] | .13 [3.3] | .12 [3.0] | | | | | | | |
| | | YAE18N1BOX | YAE18N1 | - | 149 | - | X | .32 [8.0] | .31 [7.8] | .18 [4.5] | .16 [4.1] | .92 [23.4] | .16 [4.1] | .15 [3.8] | | | | | | | |
| | 8 | YAE18N24BOX | YAE18N24 | YAE18N24M | - | - | - | .29 [7.3] | .28 [7.0] | | | .91 [23.0] | .14 [3.7] | .14 [3.4] | | | | | | | |
| | | - | YAE18G69 | - | - | - | - | .46 [11.6] | .45 [11.4] | | | 1.10 [27.9] | .23 [5.9] | .22 [5.6] | | | | | | | |
| | | 5mm | - | YAE18N33 | - | - | - | | | .21 [5.3] | .20 [5.1] | .92 [23.4] | .16 [4.1] | .15 [3.8] | | | | | | | |
| | 10 | YAE18NBOX | YAE18N | YAE18NM | 103 or 150 | - | X | .32 [8.0] | .31 [7.8] | .23 [5.8] | .19 [4.8] | | | | | | | | | | |
| | 1/4 | YAE18N2BOX | YAE18N2 | YAE18N2M | - | - | - | .46 [11.6] | .45 [11.4] | .28 [7.1] | .26 [6.6] | 1.10 [27.9] | .23 [5.9] | .22 [5.6] | | | | | | | |
| | 5/16 | YAE18N3BOX | YAE18N3 | YAE18N3M | 104 | - | X | | | .34 [8.6] | .32 [8.1] | | | | | | | | | | |
| | 3/8 | YAE18N15BOX | YAE18N15 | YAE18N15M | - | - | - | .53 [13.5] | .52 [13.3] | .40 [10.2] | .38 [9.7] | 1.20 [30.4] | .27 [6.8] | .26 [6.6] | | | | | | | |

| REV | DATE | DESCRIPTION | ECO | BY | CH'K. |
|-----|------------|-----------------------------|-------|----|-------|
| C | 11/13/2019 | NOTES UPDATED AS PER MARKUP | 51354 | SS | JV |

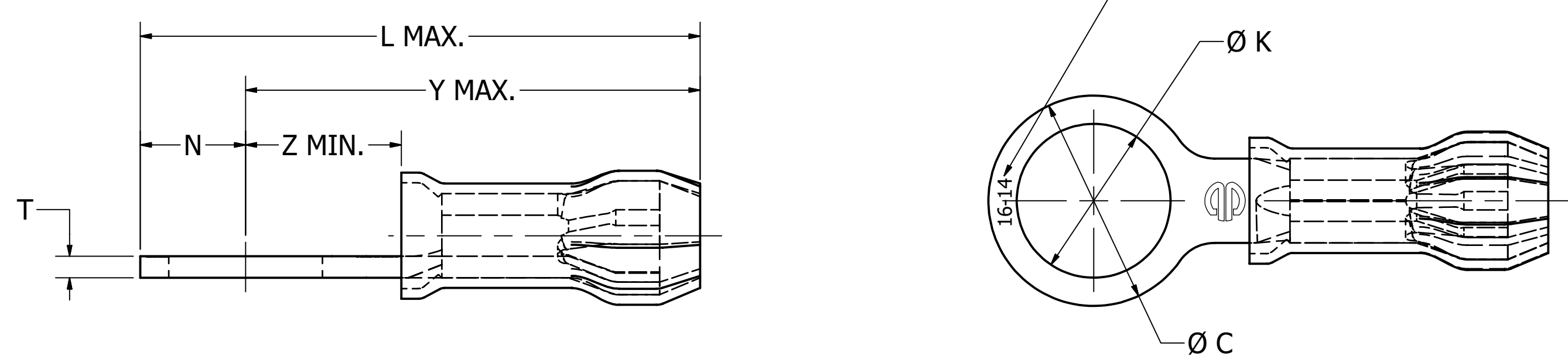
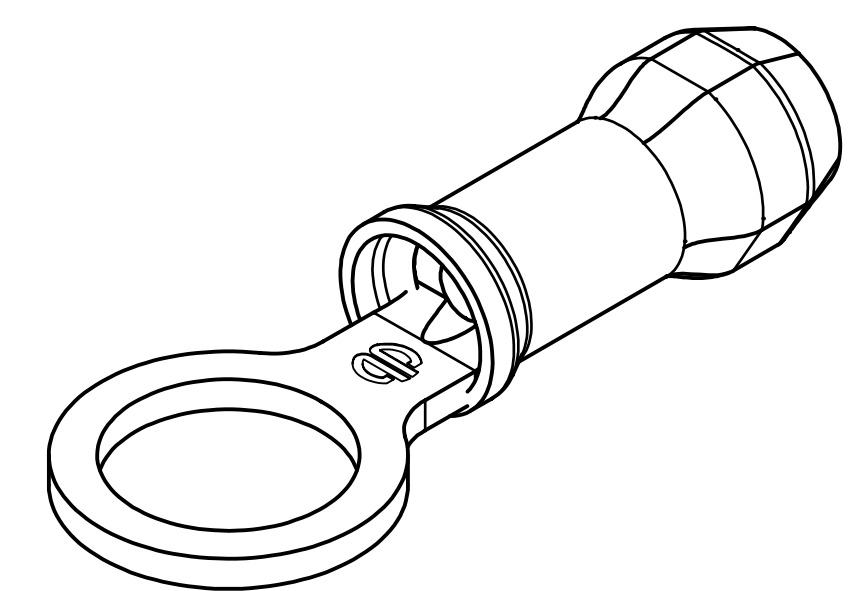


- NOTES:**
1. TERMINAL: TIN PLATED COPPER.
 2. INSULATION: NYLON.
 3. DIMENSIONS IN BRACKETS [] ARE IN MILLIMETERS AND ARE FOR REFERENCE ONLY.
 4. DIE SETS ARE LISTED IN BRACKETS [] AFTER THEIR RESPECTIVE TOOLS.
 5. FOR CONNECTORS MOUNTED ON MYLAR USE INSTALLATION TOOL OEM175TFM:
 USE DIE SET TFM2218NV FOR WIRE SIZE 22-18
 USE DIE SET TFM1614NV FOR WIRE SIZE 16-14
 USE DIE SET TFM1210NV FOR WIRE SIZE 12-10.
 6. REFERENCE DRAWING 50105268 FOR MORE INFORMATION ABOUT TAPE MOUNTED TERMINALS.
 7. UL LISTED & CSA CERTIFIED WIRE CONNECTORS PER UL486A/B (FILE E9498) & CSA C22.2 NO.65 REQUIREMENTS (FILE 42862).
 8. DISCONTINUED TOOLS: MR833T1, Y6NCP, Y10MRSA, Y10MRPA, MR833T.
 CONTACT TECH SERVICE FOR INFORMATION ABOUT APPROVED APPLICATIONS (1-800-451-4956).
 9. WIRE CONNECTOR:
 600V MAXIMUM
 TEMPERATURE RATING OF INSULATING MATERIAL 105°C
 FLAME RATING: UL746C GLOW WIRE TEST.
 10. MEETS REQUIREMENTS OF SAE-AS7928 (MAIN OFFICE CAGE CODE NUMBER: 1NJK8).

| | | | |
|---|--|------------------------------------|--|
| TO ORDER BURNDY® PRODUCTS CALL | | INSULUG™ | |
| UNITED STATES 1-800-346-4175 (LONDONDERRY, NH) | | ITEM NO: SEE TABLE | |
| CANADA: 1-800-361-6975 (QUEBEC) 1-800-387-6487 (ALL OTHER PROVINCES) | | CAT. NO: TYPE YAE-N | |
| FOR PRODUCT INFO: http://www.burndy.com | | DRAWN BY: K.BALAJI 10/12/2018 | |
| | | CHECKER: S.VENKATESAN 10/15/2018 | |
| | | DSN APRVL: K.CASTONGUAY 12/01/2018 | |
| | | MFG APRVL: -- | |
| | | QA APRVL: B.POST 11/30/2018 | |
| | | MKT APRVL: M.BAILLY 11/29/2018 | |
| | | PROD FAM: -- | |
| | | PROJECT #: -- | |
| | | SIZE | |
| | | D | |
| | | DRAWING NO | |
| | | 50094157 | |
| | | SHEET 1 OF 2 | |
| | | REV | |
| | | C | |

| WIRE SIZE (AWG) | STUD SIZE | CATALOG NUMBER | BULK CATALOG NUMBER | TAPE MOUNTED CATALOG NUMBER 2000/REEL | AS25036 DASH NO. | SAE CLASS # | | C | | K | | L MAX. | N | | T ±.01 [±.25] | Y MAX. | Z MIN. | MAX. WIRE INSUL. DIA. ACCOM. | WIRE STRIP LENGTH ±.03 [±.8] | COLOR CODE | | |
|---------------------|-------------|----------------|---------------------|---------------------------------------|------------------|-------------|-----------|------------|------------|------------|-------------|-------------|-----------|-------------|---------------|------------|------------|------------------------------|------------------------------|------------|-------------|------------|
| | | | | | | 1 | 2 | MAX. | MIN. | MAX. | MIN. | | MAX. | MIN. | | | | | | | | |
| 16-14 Str. and Sol. | 6 | YAE14N43BOX | YAE14N43 | YAE14N43M | 106 or 107 | - | X | .26 [6.5] | .24 [6.2] | .15 [3.8] | .14 [3.6] | .82 [20.8] | .13 [3.3] | .12 [3.0] | .03 [.8] | .71 [18.1] | .21 [5.4] | .16 [4.0] | 3/16" [4.8] | BLUE | | |
| | 8 | YAE14N1BOX | YAE14N1 | YAE14N1M | 153 | - | X | .32 [8.0] | .31 [7.8] | .18 [4.5] | .16 [4.1] | .92 [23.3] | .16 [4.1] | .15 [3.8] | | .78 [19.9] | .28 [7.1] | | | | | |
| | 5mm | - | YAE14N65 | - | - | - | - | | | .21 [5.3] | .20 [5.1] | | | | | .23 [5.8] | .19 [4.8] | | | | .28 [7.1] | .26 [6.6] |
| | 10 | YAE14NBOX | YAE14N | YAE14NM | 108 | - | X | .46 [11.6] | .45 [11.4] | .23 [5.8] | .19 [4.8] | 1.10 [28.1] | .23 [5.9] | .22 [5.6] | | .95 [24.0] | .44 [11.3] | | | | | |
| | 1/4 | YAE14N2BOX | YAE14N2 | YAE14N2M | 154 | - | X | | | .28 [7.1] | .26 [6.6] | | | | | | | | | | .34 [8.6] | .32 [8.1] |
| | 5/16 | YAE14N3BOX | YAE14N3 | YAE14N3M | 109 | - | X | .53 [13.5] | .52 [13.3] | .40 [10.2] | .38 [9.7] | 1.19 [30.2] | .27 [6.8] | .26 [6.6] | | .95 [24.0] | .44 [11.3] | | | | | |
| | 3/8 | YAE14N4BOX | YAE14N4 | YAE14N4M | 110 | - | X | | | .40 [10.2] | .38 [9.7] | | | | | | | | | | .43 [10.9] | .40 [10.2] |
| 10mm | - | YAE14N66 | - | - | - | - | | | | | | | | | | | | | | | | |
| 14-12 Str. and Sol. | 6 | - | YAE12N14 | - | - | - | .25 [6.4] | .24 [6.1] | .15 [3.8] | .14 [3.6] | 1.02 [26.0] | .13 [3.3] | .12 [3.0] | .04 [.9] | .92 [23.5] | .29 [7.3] | .18 [4.6] | 21/64" [8.3] | GREEN | | | |
| | 8 | YAE12N1BOX | YAE12N1 | YAE12N1M | - | - | - | .32 [8.0] | .31 [7.8] | .18 [4.5] | .16 [4.1] | 1.06 [26.9] | .16 [4.1] | | | | | | | .15 [3.8] | .92 [23.5] | .29 [7.3] |
| | 8 | YAE12N9BOX | YAE12N9 | YAE12N9M | - | - | - | | | .21 [5.3] | .20 [5.1] | | | | | | | | | | | |
| | 5 mm | YAE12N7BOX | YAE12N7 | YAE12N7M | - | - | - | .46 [11.6] | .45 [11.4] | .28 [7.1] | .26 [6.6] | 1.33 [33.8] | .27 [6.8] | | | | | | | .26 [6.6] | 1.09 [27.6] | .45 [11.4] |
| | 10 | YAE12NBRBOX | YAE12N | YAE12NM | - | - | - | | | .53 [13.5] | .52 [13.3] | | | | | | | | | | | |
| | 1/4 | YAE12N2BOX | YAE12N2 | YAE12N2M | - | - | - | .53 [13.5] | .52 [13.3] | .40 [10.2] | .38 [9.7] | 1.33 [33.8] | .27 [6.8] | | | | | | | .26 [6.6] | 1.09 [27.6] | .45 [11.4] |
| 3/8 | - | YAE12N4 | - | - | - | - | | | | | | | | | | | | | | | | |
| 12-10 Str. and Sol. | 6 | YAE10N5BOX | YAE10N5 | YAE10N5M | 111 | - | X | .38 [9.6] | .37 [9.4] | .15 [3.8] | .14 [3.6] | 1.15 [29.1] | .19 [4.9] | .18 [4.6] | .04 [1.0] | .98 [24.9] | .29 [7.3] | .21 [5.3] | 3/8" [9.5] | YELLOW | | |
| | 6 | YAE10N44BOX | YAE10N44 | - | - | - | .28 [7.1] | .27 [6.9] | .15 [3.8] | .14 [3.6] | 1.10 [27.8] | .14 [3.6] | .13 [3.4] | 1.00 [25.3] | | | | | | | .30 [7.7] | |
| | 8 | YAE10N11BOX | YAE10N11 | YAE10N11M | 156 | - | X | .38 [9.6] | .37 [9.4] | .18 [4.5] | .16 [4.1] | 1.16 [29.6] | .19 [4.9] | | | | | | | | | .18 [4.6] |
| | 10 | YAE10NBOX | YAE10N | YAE10NM | 112 | - | X | | | .23 [5.8] | .19 [4.8] | | | 1.15 [29.1] | | | | | | | .23 [5.8] | |
| | 10 | - | YAE10N45 | - | - | - | - | .54 [13.8] | .54 [13.6] | .28 [7.1] | .26 [6.6] | 1.39 [35.2] | .28 [7.0] | .26 [6.7] | | | | | | | 1.14 [28.8] | .44 [11.2] |
| | 1/4 | YAE10N3BOX | YAE10N3 | YAE10N3M | 157 | - | X | | | .28 [7.1] | .26 [6.6] | | | | | | | | | | | |
| | 5/16 | YAE10N2BOX | YAE10N2 | YAE10N2M | 113 | - | X | .40 [10.2] | .38 [9.7] | .40 [10.2] | .38 [9.7] | 1.50 [38.1] | .36 [9.1] | .30 [7.6] | | | | | | | 1.20 [30.5] | .58 [14.7] |
| | 3/8 | YAE10N4BOX | YAE10N4 | YAE10N4M | 114 | - | X | .75 [19.0] | .69 [17.5] | .54 [13.7] | .51 [13.0] | | | | | | | | | | | |
| 1/2 | YAE10N79BOX | YAE10N79 | - | - | - | - | | | | | | | | | | | | | | | | |

| REV | DATE | DESCRIPTION | ECO | BY | CHK. |
|-----|------------|-----------------------------|-------|----|------|
| C | 11/13/2019 | NOTES UPDATED AS PER MARKUP | 51354 | SS | JV |



- NOTES:**
1. TERMINAL: TIN PLATED COPPER.
 2. INSULATION: NYLON.
 3. DIMENSIONS IN BRACKETS [] ARE IN MILLIMETERS AND ARE FOR REFERENCE ONLY.
 4. DIE SETS ARE LISTED IN BRACKETS [] AFTER THEIR RESPECTIVE TOOLS.
 5. FOR CONNECTORS MOUNTED ON MYLAR USE INSTALLATION TOOL OEM175TFM:
 USE DIE SET TFM2218NV FOR WIRE SIZE 22-18
 USE DIE SET TFM1614NV FOR WIRE SIZE 16-14
 USE DIE SET TFM1210NV FOR WIRE SIZE 12-10.
 6. REFERENCE DRAWING 50105268 FOR MORE INFORMATION ABOUT TAPE MOUNTED TERMINALS.
 7. UL LISTED & CSA CERTIFIED WIRE CONNECTORS PER UL486A/B (FILE E9498) & CSA C22.2 NO.65 REQUIREMENTS (FILE 42862).
 8. DISCONTINUED TOOLS: MR833T1, Y6NCP, Y10MRS, Y10MRPA, MR833T.
 CONTACT TECH SERVICE FOR INFORMATION ABOUT APPROVED APPLICATIONS (1-800-451-4956).
 9. WIRE CONNECTOR:
 600V MAXIMUM
 TEMPERATURE RATING OF INSULATING MATERIAL 105°C
 FLAME RATING: UL746C GLOW WIRE TEST.
 10. MEETS REQUIREMENTS OF SAE-AS7928 (MAIN OFFICE CAGE CODE NUMBER: 1NJK8).

| | | | |
|---|--|------------------------------------|--|
| TO ORDER BURNDY® PRODUCTS CALL | | INSULUG™ | |
| UNITED STATES 1-800-346-4175 (LONDONDERRY, NH) | | ITEM NO: SEE TABLE | |
| CANADA: 1-800-361-6975 (QUEBEC) 1-800-387-6487 (ALL OTHER PROVINCES) | | CAT. NO: TYPE YAE-N | |
| FOR PRODUCT INFO: http://www.burndy.com | | DRAWN BY: K.BALAJI 10/12/2018 | |
| | | CHECKER: S.VENKATESAN 10/15/2018 | |
| | | DSN APRVL: K.CASTONGUAY 12/01/2018 | |
| | | MFG APRVL: -- | |
| | | QA APRVL: B.POST 11/30/2018 | |
| | | MKT APRVL: M.BAILLY 11/29/2018 | |
| | | PROD FAM: -- | |
| | | PROJECT #: -- | |
| | | SIZE | |
| | | D | |
| | | DRAWING NO | |
| | | 50094157 | |
| | | SHEET 2 OF 2 | |
| | | REV | |
| | | C | |