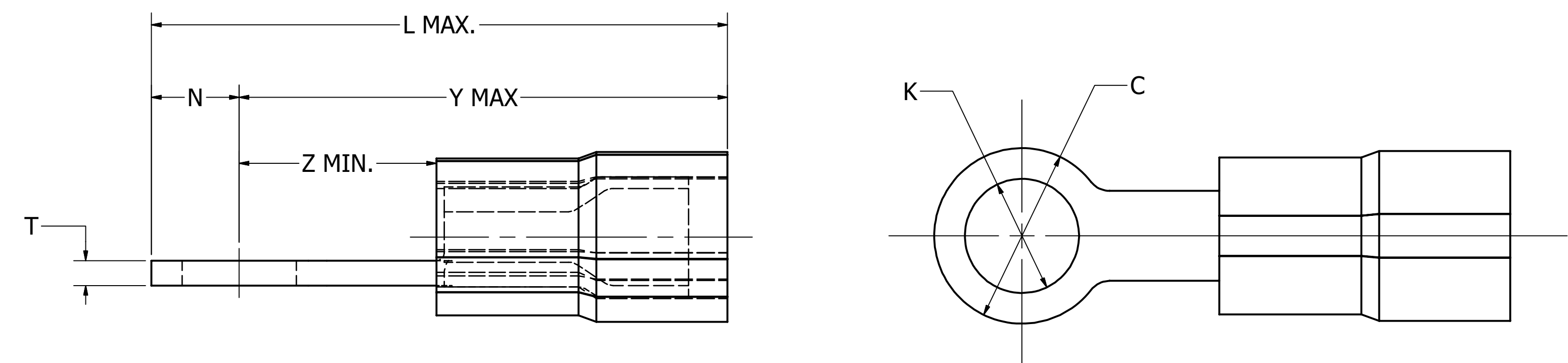
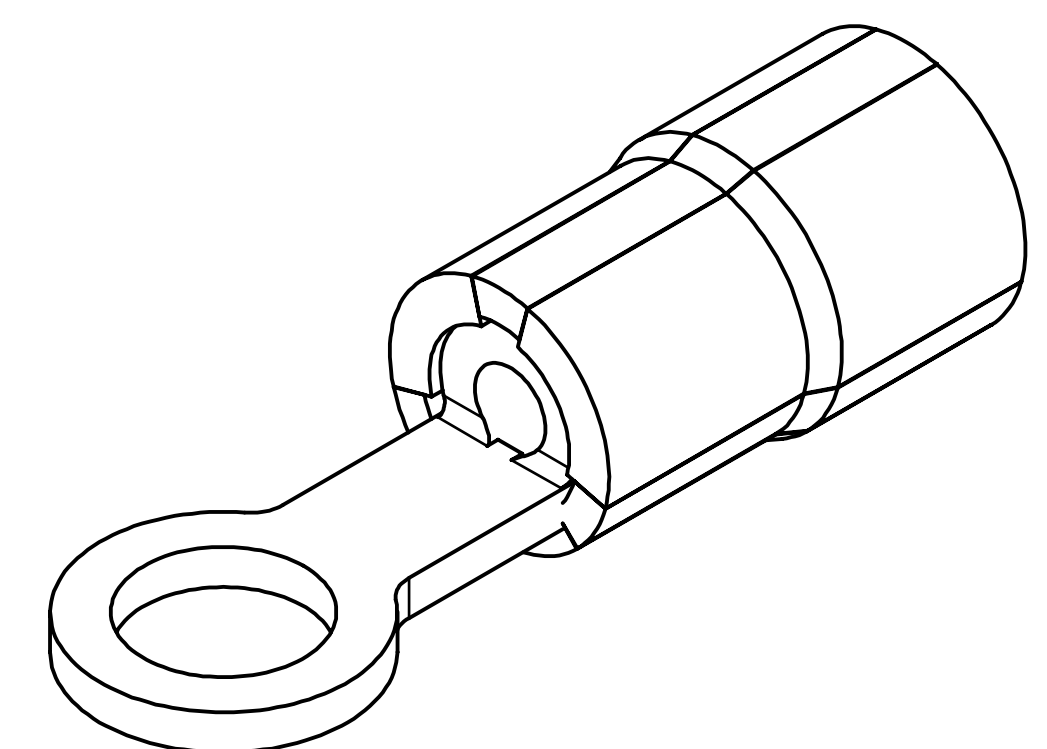


WIRE SIZE (AWG)	STUD SIZE	CATALOG NUMBER	C		K		L MAX.	N		T ± .01 [± 0.25]	Y MAX.	Z MIN.	MAX. WIRE INSUL. DIA. ACCOM.	WIRE STRIP LENGTH ± .03 [± .8]	COLOR CODE	INSTALLATION TOOLING (ONE CRIMP)		
			MAX.	MIN.	MAX.	MIN.		MAX.	MIN.									
22-18 Str.	6	YAES18K1	.28 [5.8]	.22 [5.7]	.15 [3.8]	.14 [3.6]	.74 [18.8]	.11 [2.9]	.11 [2.8]	.03 [.8]	.63 [16.0]	.24 [6.1]		7/32" [5.6]	RED	MR10G6		
		YAES18K2	.25 [6.5]	.25 [6.2]													.13 [3.2]	.12 [3.1]
	8	YAES18K49	.32 [8.0]	.31 [7.8]	.18 [4.5]	.16 [4.1]	.87 [22.2]	.16 [4.0]	.15 [3.9]								.72 [18.3]	.33 [8.4]
	10	YAES18K3			.23 [5.8]	.19 [4.8]												
	1/4	YAES18K50	.46 [11.6]	.45 [11.4]	.28 [7.1]	.26 [6.6]	1.06 [26.9]	.23 [5.8]	.22 [5.7]								.84 [21.2]	.45 [11.3]
	5/16	YAES18K4			.34 [8.6]	.32 [8.1]												
3/8	YAES18K5	.53 [13.6]	.53 [13.4]	.40 [10.2]	.38 [9.7]	1.15 [29.1]	.27 [6.8]	.26 [6.7]	.88 [22.4]	.49 [12.5]								
16-14 Str.	6	YAES14K6	.25 [6.5]	.25 [6.2]	.15 [3.8]	.14 [3.6]	.77 [19.7]	.13 [3.2]	.12 [3.1]	.03 [.8]	.65 [16.5]	.26 [6.6]		7/32" [5.6]	BLUE	MR10G6		
		YAES14K7	.32 [8.0]	.31 [7.8]													.18 [4.5]	.16 [4.1]
	8	YAES14K53			.23 [5.8]	.19 [4.8]	.33 [8.4]											
	10	YAES14K8	.46 [11.6]	.45 [11.4]	.28 [7.1]	.26 [6.6]		1.06 [26.9]	.23 [5.8]								.22 [5.7]	.84 [21.2]
	1/4	YAES14K54			.34 [8.6]	.32 [8.1]												
	5/16	YAES14K9	.53 [13.5]	.52 [13.3]	.40 [10.2]	.38 [9.7]	1.14 [29.1]	.27 [6.8]	.26 [6.6]								.88 [22.4]	.49 [12.5]
3/8	YAES14K10																	
12-10 Str	6	YAES10K11	.38 [9.7]	.37 [9.4]	.15 [3.8]	.14 [3.6]	1.04 [26.5]	.19 [4.8]	.18 [4.7]	.04 [1.0]	.86 [21.8]	.30 [7.5]		3/8" [9.5]	YELLOW	MR10G6		
		YAES10K11T1	.31 [7.9]	.30 [7.6]													.16 [4.0]	.15 [3.8]
	8	YAES10K56	.38 [9.7]	.37 [9.4]	.18 [4.5]	.16 [4.1]	.87 [22.2]	.16 [4.0]	.15 [3.9]								.72 [18.3]	.33 [8.4]
	10	YAES10K12			.23 [5.8]	.19 [4.8]												
	1/4	YAES10K57	.54 [13.6]	.53 [13.4]	.28 [7.1]	.26 [6.6]	1.24 [31.4]	.27 [6.8]	.26 [6.7]								.86 [21.8]	.41 [10.4]
	5/16	YAES10K13			.34 [8.6]	.32 [8.1]												
	3/8	YAES10K14	.58 [14.8]	.57 [14.6]	.40 [10.2]	.38 [9.7]	1.29 [32.7]	.29 [7.4]	.29 [7.3]								1.00 [25.5]	.44 [11.2]
1/2	YAES10K58	.72 [18.3]	.71 [18.0]	.54 [13.7]	.51 [13.0]	1.41 [35.7]	.36 [9.1]	.36 [9.0]	1.05 [26.7]	.49 [12.4]								

REV	DATE	DESCRIPTION	ECO	BY	C'H'K.
A	08/30/2018	NEW DRAWING CREATION	49758	BK	VS



**NOTES:**

1. TERMINAL: TIN PLATED COPPER.
2. INSULATION: POLYVINYLIDENE FLUORIDE (PVF<sub>2</sub>)
3. DIMENSIONS IN BRACKETS [ ] ARE IN MILLIMETERS AND ARE FOR REFERENCE ONLY.
4. WIRE CONNECTOR:  
600V MAXIMUM  
OPERATING TEMPERATURE RANGE: -60° TO 150°C  
FLAME RATING: UL94 V-0

TO ORDER BURNDY® PRODUCTS CALL		INSULUG™															
UNITED STATES 1-800-346-4175 (LONDONDERRY, NH)		ITEM NO: SEE TABLE															
CANADA: 1-800-361-6975 (QUEBEC) 1-800-387-6487 (ALL OTHER PROVINCES)		CAT. NO: TYPE YAES-K															
FOR PRODUCT INFO: <a href="http://www.burndy.com">http://www.burndy.com</a>		<table border="1"> <tr> <td>DRAWN BY: K.BALAJI</td> <td>30-08-2018</td> </tr> <tr> <td>CHECKER: S.VENKATESAN</td> <td>30-08-2018</td> </tr> <tr> <td>DSN APRVL: K.CASTONGUAY</td> <td>15-10-2018</td> </tr> <tr> <td>MFG APRVL: --</td> <td></td> </tr> <tr> <td>QA APRVL: B.POST</td> <td>07-09-2018</td> </tr> <tr> <td>MKT APRVL: M.BAILLY</td> <td>06-09-2018</td> </tr> <tr> <td>PROD FAM: --</td> <td></td> </tr> </table>		DRAWN BY: K.BALAJI	30-08-2018	CHECKER: S.VENKATESAN	30-08-2018	DSN APRVL: K.CASTONGUAY	15-10-2018	MFG APRVL: --		QA APRVL: B.POST	07-09-2018	MKT APRVL: M.BAILLY	06-09-2018	PROD FAM: --	
DRAWN BY: K.BALAJI	30-08-2018																
CHECKER: S.VENKATESAN	30-08-2018																
DSN APRVL: K.CASTONGUAY	15-10-2018																
MFG APRVL: --																	
QA APRVL: B.POST	07-09-2018																
MKT APRVL: M.BAILLY	06-09-2018																
PROD FAM: --																	
		<table border="1"> <tr> <td>PROJECT #:</td> <td>SIZE</td> <td>DRAWING NO</td> <td>REV</td> </tr> <tr> <td>DOCUMENT TYPE: SALES</td> <td>D</td> <td>50094159</td> <td>A</td> </tr> <tr> <td>REL LEVEL: Released</td> <td></td> <td colspan="2">SHEET 1 OF 1</td> </tr> </table>		PROJECT #:	SIZE	DRAWING NO	REV	DOCUMENT TYPE: SALES	D	50094159	A	REL LEVEL: Released		SHEET 1 OF 1			
PROJECT #:	SIZE	DRAWING NO	REV														
DOCUMENT TYPE: SALES	D	50094159	A														
REL LEVEL: Released		SHEET 1 OF 1															