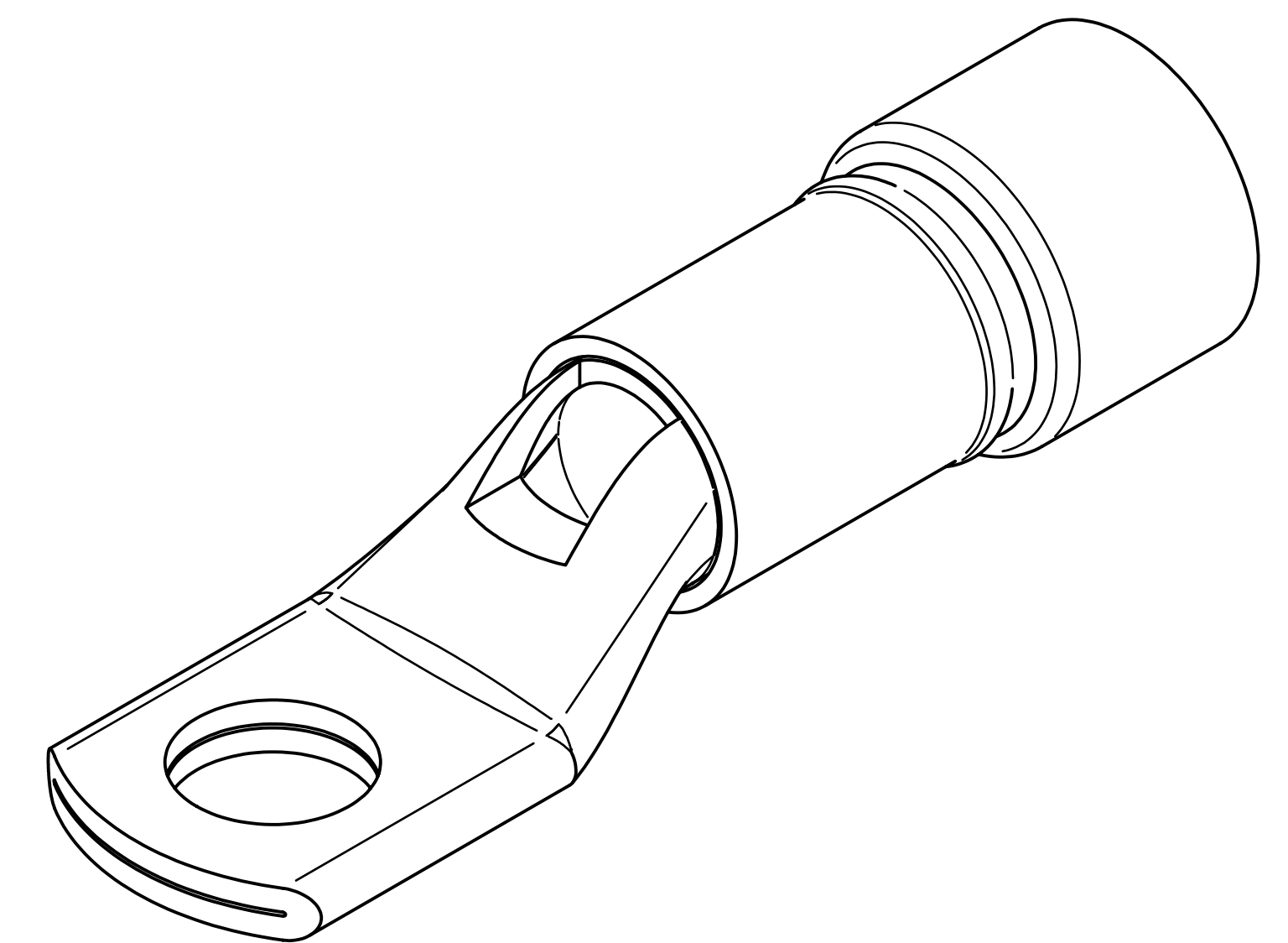
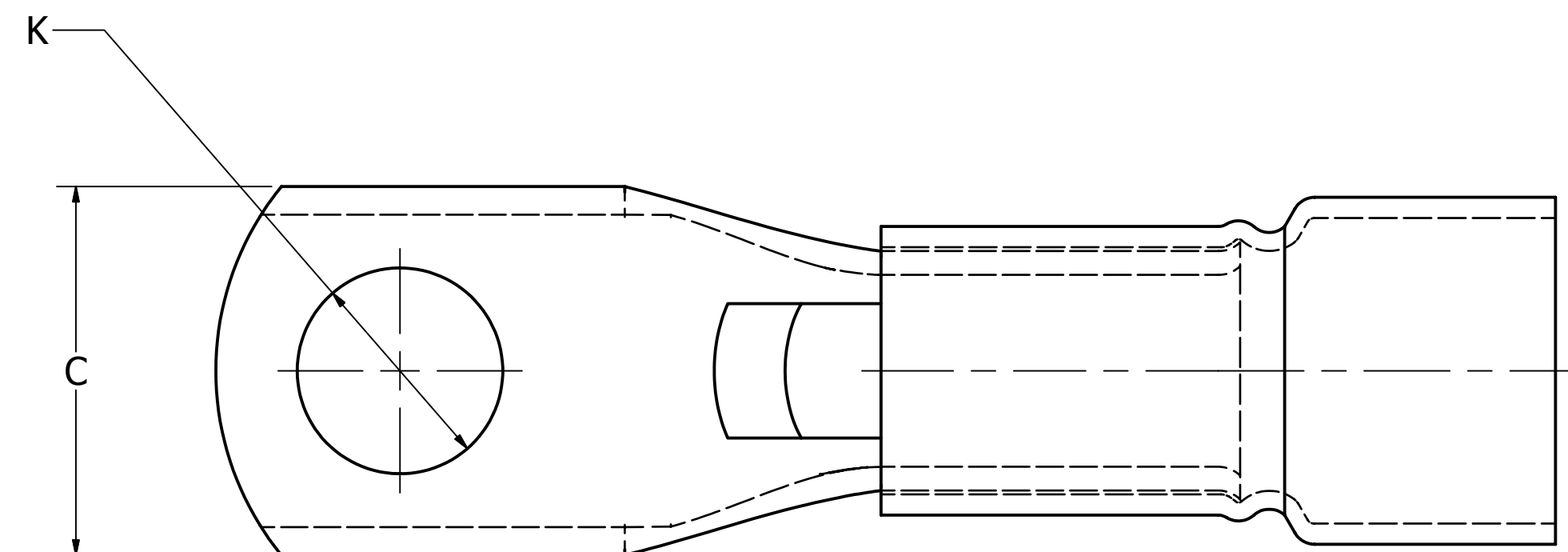
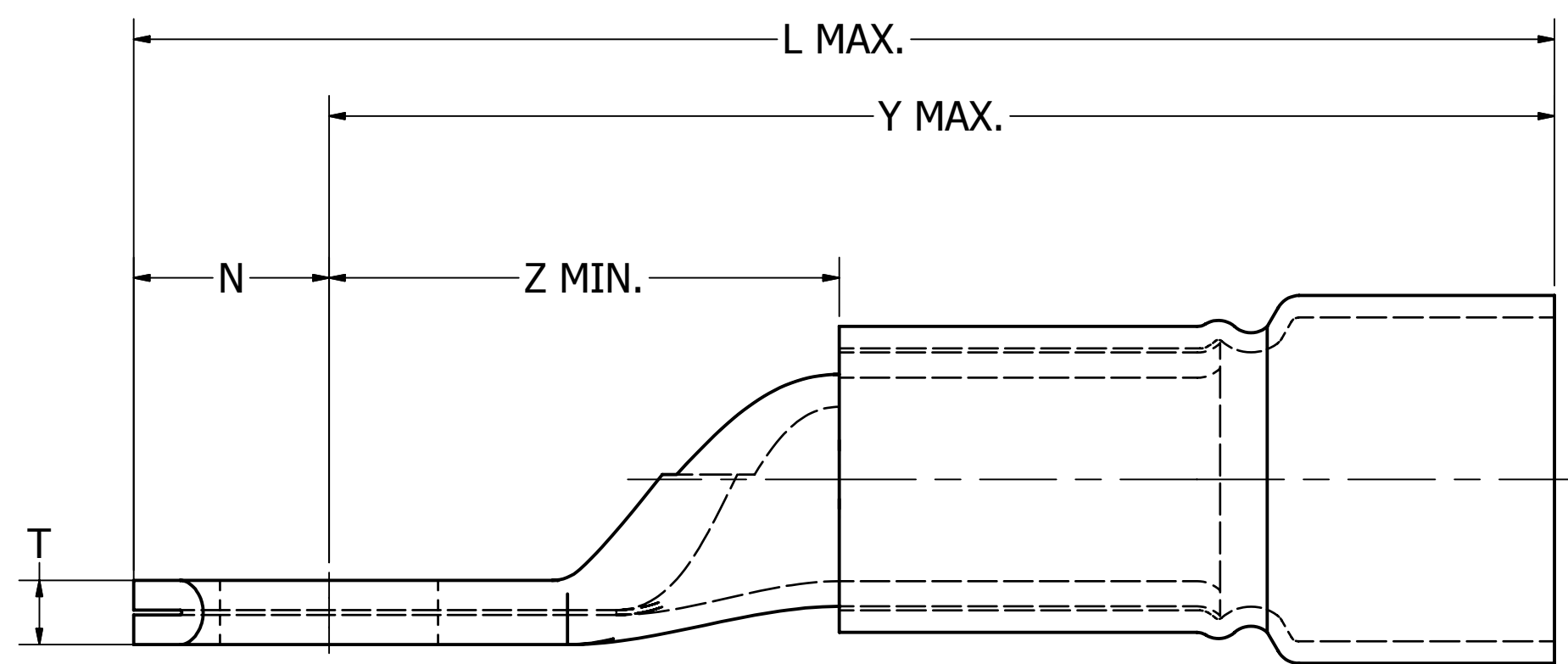


WIRE SIZE (AWG), AN Aircraft	STUD SIZE	CATALOG NUMBER	C		K		L MAX.	N		T ± .01 [± .25]	Y MAX.	Z MIN.	MAX. WIRE INSUL. DIA. ACCOM.	WIRE STRIP LENGTH ± .03 [± .8]	COLOR CODE	DIE INDEX
			MAX.	MIN.	MAX.	MIN.		MAX.	MIN.							
8 Str. and Sol.	8	YAEV8CH14	.43 [10.8]	.39 [9.8]	.18 [4.5]	.16 [4.1]	1.53 [38.9]	.21 [5.4]	.19 [4.9]	.07 [1.8]	1.32 [33.5]	.28 [7.1]	.30 [7.6]	7/16" [11.1]	RED	435
	10	YAEV8CH			.23 [5.8]	.19 [4.8]										
	1/4"	YAEV8CH1	.48 [12.1]	.44 [11.0]	.28 [7.1]	.26 [6.6]	1.60 [40.7]	.24 [6.0]	.22 [5.5]	1.36 [34.6]	.32 [8.2]					
	5/16"	YAEV8CH2	.59 [14.9]	.55 [13.9]	.34 [8.6]	.32 [8.1]	1.68 [42.7]	.29 [7.5]	.27 [7.0]	.06 [1.4]	1.39 [35.2]	.34 [8.7]				
	3/8"	YAEV8CH3			.40 [10.2]	.38 [9.7]										
	1/2"	YAEV8CH4	.75 [19.1]	.71 [18.0]	.54 [13.7]	.51 [13.0]	1.90 [48.3]	.39 [9.8]	.37 [9.3]	.05 [1.2]	1.52 [38.6]	.48 [12.1]				
6 Str. and Sol.	10	YAEV6CH1	.50 [12.7]	.46 [11.7]	.23 [5.8]	.19 [4.8]	1.72 [43.8]	.25 [6.4]	.23 [5.8]	.07 [1.8]	1.47 [37.4]	.29 [7.3]	.38 [9.7]	1/2" [12.7]	BLUE	436
	1/4"	YAEV6CH			.28 [7.1]	.26 [6.6]										
	5/16"	YAEV6CH4	.62 [15.7]	.58 [14.7]	.34 [8.6]	.32 [8.1]	1.85 [46.9]	.31 [7.9]	.29 [7.4]	.06 [1.5]	1.54 [39.0]	.35 [8.9]				
	3/8"	YAEV6CH2			.40 [10.2]	.38 [9.7]										
	1/2"	YAEV6CH10	.75 [19.1]	.71 [18.0]	.54 [13.7]	.51 [13.0]	2.06 [52.3]	.39 [9.8]	.37 [9.3]	.05 [1.3]	1.67 [42.5]	.49 [12.4]				
4 Str. and Sol.	10	YAEV4CH3	.57 [14.4]	.53 [13.4]	.23 [5.8]	.19 [4.8]	1.86 [47.3]	.26 [6.6]	.24 [6.1]	.08 [2.1]	1.60 [40.7]	.28 [7.0]	.44 [11.2]	YELLOW	437	
	1/4"	YAEV4CH			.28 [7.1]	.26 [6.6]										
	5/16"	YAEV4CH4	.65 [16.4]	.61 [15.4]	.34 [8.6]	.32 [8.1]	1.98 [50.2]	.32 [8.2]	.30 [7.7]	.07 [1.7]	1.65 [42.0]	.33 [8.4]				
	3/8"	YAEV4CH2			.40 [10.2]	.38 [9.7]										
	1/2"	YAEV4CH5	.75 [19.1]	.71 [18.0]	.54 [13.7]	.51 [13.0]	2.17 [55.2]	.39 [9.8]	.37 [9.3]	.07 [1.7]	1.79 [45.4]	.47 [11.8]				

REV	DATE	DESCRIPTION	ECO	BY	C'H'K.
A	11/14/2018	NEW DRAWING CREATION	50269	RB	VS



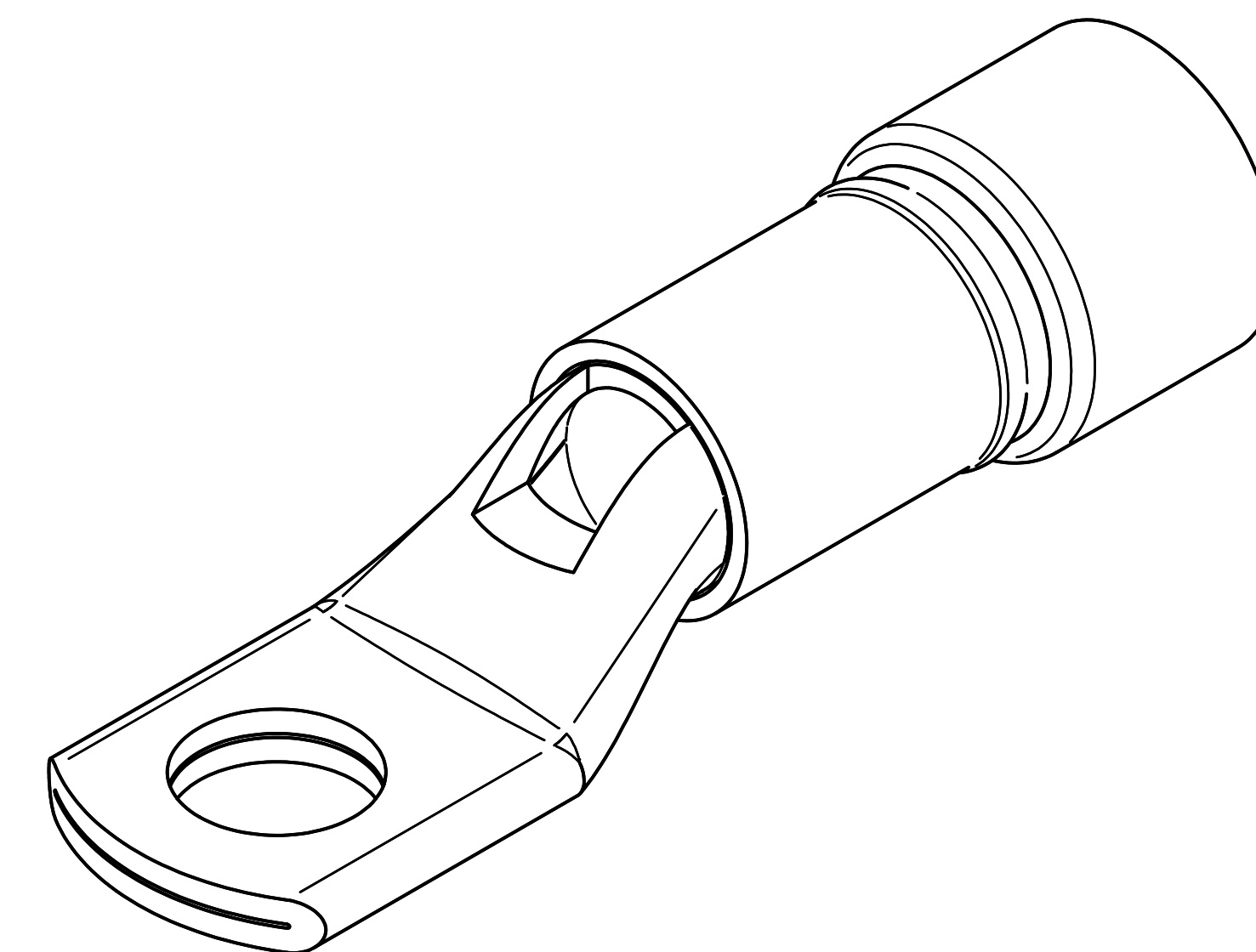
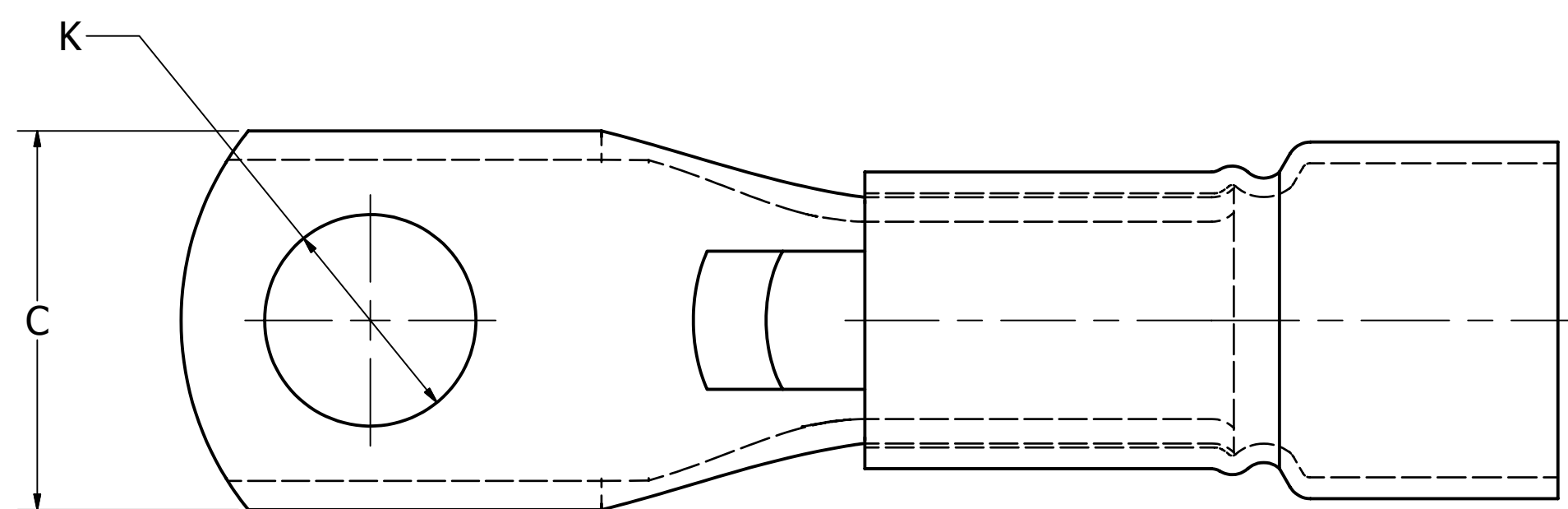
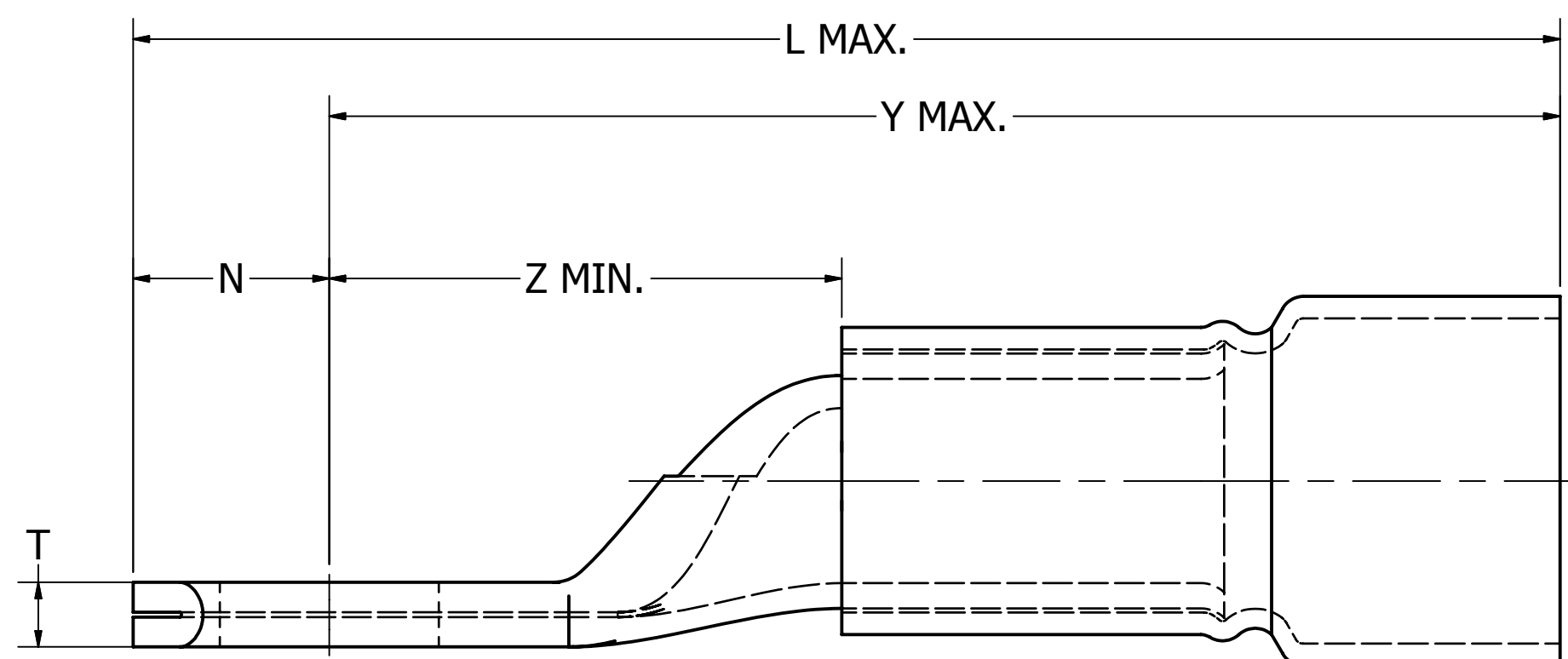
NOTES:

1. TERMINAL: TIN PLATED COPPER
2. INSULATION: NYLON
3. DIMENSIONS IN BRACKETS [ ] ARE IN MILLIMETERS AND ARE FOR REFERENCE ONLY.
4. UL LISTED WIRE CONNECTORS PER UL486A/B (FILE E9498) REQUIREMENTS.
5. WIRE CONNECTOR:  
FLAME RATING: UL94 V-2
6. MEETS REQUIREMENTS OF SAE-AS7928.
7. ITEMS WITH CATALOG NUMBERS FOLLOWED BY ASTERISKS (\*) ARE NOT UL LISTED.

TO ORDER BURNDY® PRODUCTS CALL		INSULUG™	
UNITED STATES 1-800-346-4175 (LONDONDERRY, NH)		ITEM NO: SEE TABLE	
CANADA: 1-800-361-6975 (QUEBEC) 1-800-387-6487 (ALL OTHER PROVINCES)		CAT. NO: TYPE YAEV-H	
FOR PRODUCT INFO: <a href="http://www.burndy.com">http://www.burndy.com</a>		DRAWN BY: R.BABU	14-11-2018
		CHECKER: V.SAKTHIVEL	14-11-2018
		DSN APRVL: --	
		MFG APRVL: --	
		QA APRVL: --	
		MKT APRVL: --	
		PROD FAM: --	DRAWING NO
		PROJECT #: --	50094164
		DOCUMENT TYPE: SALES	SHEET 1 OF 2
		REL LEVEL: WorkInProgress	
		SIZE	A
		D	

WIRE SIZE (AWG), AN Aircraft	STUD SIZE	CATALOG NUMBER	C		K		L MAX.	N		T ± .01 [± .25]	Y MAX.	Z MIN.	MAX WIRE INSUL. DIA. ACCOM..	WIRE STRIP LENGTH ± .03 [± .8]	COLOR CODE	DIE INDEX		
			MAX.	MIN.	MAX.	MIN.		MAX.	MIN.									
2 Str. and Sol.	10	YAEV2CH3	.71 [18.0]	.67 [17.0]	.23 [5.8]	.19 [4.8]	2.33 [59.2]	.35 [9.0]	.33 [8.5]	.09 [2.4]	1.98 [50.2]	.35 [8.9]	.52 [13.2]	RED	438			
	1/4"	YAEV2CH1			.28 [7.1]	.26 [6.6]												
	5/16"	YAEV2CH2			.34 [8.6]	.32 [8.1]												
	3/8"	YAEV2CH			.40 [10.2]	.38 [9.7]												
	1/2"	YAEV2CH4	.79 [20.1]	.75 [19.1]	.54 [13.7]	.51 [13.0]		.40 [10.0]	.38 [9.5]		2.09 [53.2]	.46 [11.8]	5/8" [15.9]					
1 Str. and Sol.	1/4"	YAEV1CH1	.78 [19.8]	.74 [18.8]	.28 [7.1]	.26 [6.6]	2.49 [63.2]	.39 [9.9]	.37 [9.4]	.11 [2.8]	2.10 [53.2]	.38 [9.7]	.58 [14.7]	WHITE	600			
	5/16"	YAEV1CH2			.34 [8.6]	.32 [8.1]												
	3/8"	YAEV1CH			.40 [10.2]	.38 [9.7]												
	1/2"	YAEV1CH3			.88 [22.4]	.84 [21.3]										.54 [13.7]	.51 [13.0]	2.62 [66.4]
1/0 Str. and Sol.	1/4"	YAEV25H1*	.85 [21.6]	.81 [20.6]	.28 [7.1]	.26 [6.6]	2.82 [71.5]	.43 [10.8]	.41 [10.3]	.11 [2.8]	2.39 [60.7]	.43 [10.9]	.66 [16.8]	11/16" [17.5]	BLUE	439		
	5/16"	YAEV25H2*			.34 [8.6]	.32 [8.1]												
	3/8"	YAEV25H*			.40 [10.2]	.38 [9.7]												
	1/2"	YAEV25H3*	.90 [22.9]	.86 [21.8]	.54 [13.7]	.51 [13.0]	2.88 [73.1]	.45 [11.4]	.43 [10.9]								2.43 [61.6]	.46 [11.8]
	5/8"	YAEV25H4*	.67 [16.9]	.65 [16.5]	3.09 [78.5]	.51 [13.0]	.49 [12.4]	2.58 [65.6]	.62 [15.7]									
2/0 Str. and Sol.	1/4"	YAEV26H1*	.95 [24.2]	.91 [23.2]	.28 [7.1]	.26 [6.6]	3.12 [79.3]	.48 [12.1]	.46 [11.6]	.72 [18.3]	13/16" [20.6]	YELLOW	601					
	5/16"	YAEV26H2*			.34 [8.6]	.32 [8.1]												
	3/8"	YAEV26H*			.40 [10.2]	.38 [9.7]												
	1/2"	YAEV26H3*			.54 [13.7]	.51 [13.0]												
	5/8"	YAEV26H12*			.67 [16.9]	.65 [16.5]								3.33 [84.5]	.54 [13.7]	.52 [13.2]	2.79 [70.8]	.62 [15.8]

REV	DATE	DESCRIPTION	ECO	BY	C'H'K.
A	11/14/2018	NEW DRAWING CREATION	50269	RB	VS



NOTES:

1. TERMINAL: TIN PLATED COPPER
2. INSULATION: NYLON
3. DIMENSIONS IN BRACKETS [ ] ARE IN MILLIMETERS AND ARE FOR REFERENCE ONLY.
4. UL LISTED WIRE CONNECTORS PER UL486A/B (FILE E9498) REQUIREMENTS.
5. WIRE CONNECTOR:  
FLAME RATING: UL94 V-2
6. MEETS REQUIREMENTS OF SAE-AS7928.
7. ITEMS WITH CATALOG NUMBERS FOLLOWED BY ASTERISKS (\*) ARE NOT UL LISTED.

TO ORDER BURNDY® PRODUCTS CALL		INSULUG™	
UNITED STATES 1-800-346-4175 (LONDONDERRY, NH)		ITEM NO: SEE TABLE	
CANADA: 1-800-361-6975 (QUEBEC) 1-800-387-6487 (ALL OTHER PROVINCES)		CAT. NO: TYPE YAEV-H	
FOR PRODUCT INFO: <a href="http://www.burndy.com">http://www.burndy.com</a>		DRAWN BY: R.BABU 14-11-2018	CHECKER: V.SAKTHIVEL 14-11-2018
		DSN APRVL: --	MFG APRVL: --
		QA APRVL: --	MKT APRVL: --
		PROD FAM: --	DRAWING NO
		PROJECT #: --	SIZE
		DOCUMENT TYPE: SALES	D
		REL LEVEL: WorkInProgress	50094164
			SHEET 2 OF 2
			A