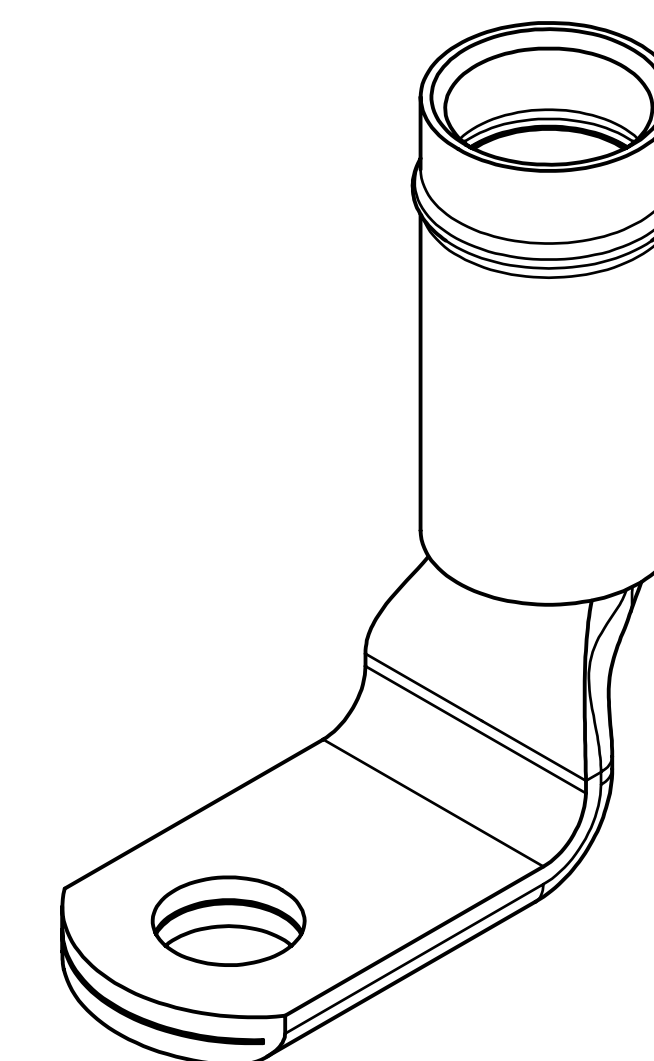
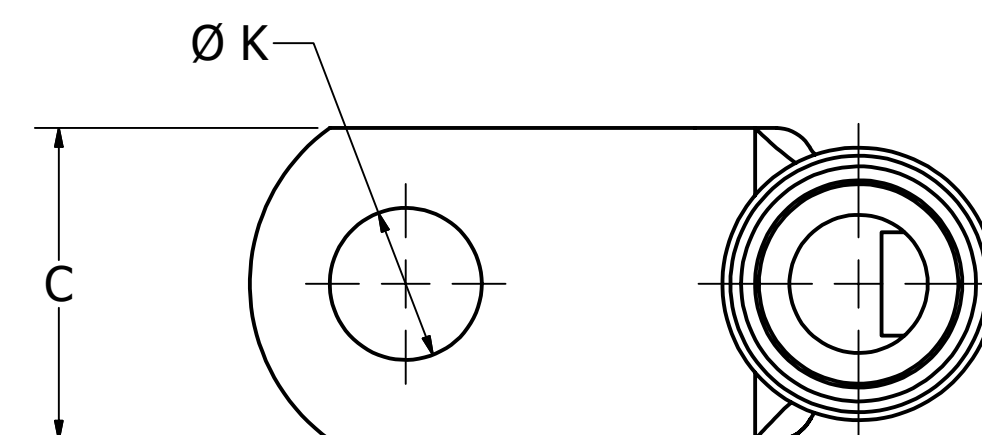
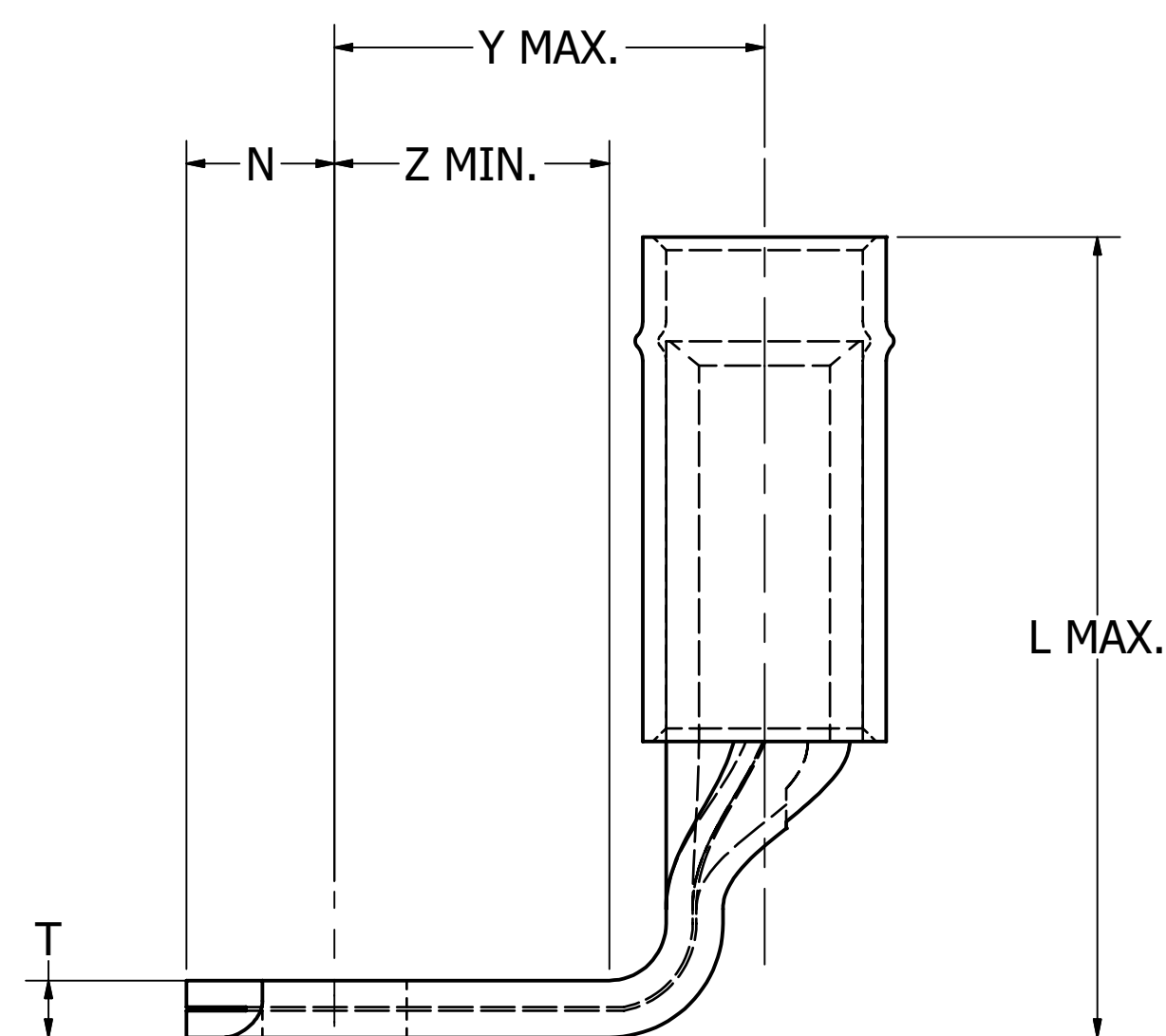


REV	DATE	DESCRIPTION	ECO	BY	CH'K.
A	11/15/2018	NEW DRAWING CREATION	50270	WP	VS

WIRE SIZE (AWG), AN Aircraft	STUD SIZE	CATALOG NUMBER	C		K		L MAX.	N		T ±.01 [±.25]	Y MAX.	Z MIN.	MAX. WIRE INSUL. DIA. ACCOM.	WIRE STRIP LENGTH ±.03 [±.8]	COLOR CODE	DIE INDEX
			MAX.	MIN.	MAX.	MIN.		MAX.	MIN.							
8 Str. and Sol.	10	YAEV8CRS	.44 [11.2]	.38 [9.7]	.23 [5.8]	.19 [4.8]	1.25 [31.8]	.22 [5.6]	.18 [4.6]	.07 [1.8]	.64 [16.3]	.25 [6.4]	.26 [6.6]	7/16" [11.1]	RED	435
	1/4"	YAEV8CRS1			.28 [7.1]	.26 [6.6]					.66 [16.8]					
6 Str. and Sol.	10	YAEV6CRS1	.53 [13.5]	.47 [11.9]	.23 [5.8]	.19 [4.8]	1.28 [32.5]	.27 [6.9]	.23 [5.8]	.06 [1.5]	.68 [17.3]	.28 [7.1]	.30 [7.6]	BLUE	436	
	1/4"	YAEV6CRS			.28 [7.1]	.26 [6.6]					.70 [17.8]					
4 Str. and Sol.	1/4"	YAEV4CRS	.56 [14.2]	.50 [12.7]	.28 [7.1]	.26 [6.6]	1.30 [33.0]	.33 [8.4]	.29 [7.4]	.08 [2.0]	.77 [19.6]	.38 [9.7]	1/2" [12.7]	YELLOW	437	
	5/16"	YAEV4CRS4			.34 [8.6]	.32 [8.1]					.77 [19.6]					
2 Str. and Sol.	3/8"	YAEV4CRS2	.65 [16.5]	.59 [15.0]	.40 [10.2]	.38 [9.7]	1.59 [40.4]	.35 [8.9]	.31 [7.9]	.10 [2.5]	.83 [21.1]	.34 [8.7]	.46 [11.7]	RED	438	
	1/4"	YAEV2CRS1			.28 [7.1]	.26 [6.6]					.83 [21.1]					
1 Str. and Sol.	5/16"	YAEV2CRS2	.71 [18.0]	.65 [16.5]	.34 [8.6]	.32 [8.1]	1.65 [41.9]	.35 [8.9]	.31 [7.9]	.12 [3.0]	.89 [22.6]	.52 [13.2]	5/8" [15.9]	WHITE	600	
	3/8"	YAEV2CRS			.40 [10.2]	.38 [9.7]					.89 [22.6]					
	1/4"	YAEV1CRS1			.28 [7.1]	.26 [6.6]					.89 [22.6]					
1/0 Str. and Sol.	5/16"	YAEV1CRS2	.76 [19.3]	.70 [17.8]	.34 [8.6]	.32 [8.1]	1.88 [47.8]	.41 [10.4]	.37 [9.4]	.12 [3.0]	1.10 [27.9]	.44 [11.1]	.57 [14.5]	BLUE	439	
	3/8"	YAEV1CRS			.40 [10.2]	.38 [9.7]					1.10 [27.9]					
	1/4"	YAEV25RS1*			.28 [7.1]	.26 [6.6]					1.10 [27.9]					
	5/16"	YAEV25RS2*			.34 [8.6]	.32 [8.1]					1.10 [27.9]					
2/0 Str. and Sol.	3/8"	YAEV25RS*	.91 [23.1]	.85 [21.6]	.54 [13.7]	.51 [13.0]	2.06 [52.3]	.41 [10.4]	.37 [9.4]	.12 [3.0]	1.04 [26.4]	.47 [11.9]	.62 [15.7]	YELLOW	601	
	1/2"	YAEV25RS3*			.46 [11.7]	.42 [10.7]					1.04 [26.4]					
	5/16"	YAEV26RS2*			.34 [8.6]	.32 [8.1]					1.04 [26.4]					
	3/8"	YAEV26RS*	.95 [24.1]	.89 [22.6]	.40 [10.2]	.38 [9.7]	2.06 [52.3]	.41 [10.4]	.37 [9.4]	.12 [3.0]	1.08 [27.4]	.47 [11.9]	.62 [15.7]	YELLOW	601	
	1/2"	YAEV26RS3*			.54 [13.7]	.51 [13.0]					1.08 [27.4]					



- NOTES:
1. TERMINAL: TIN PLATED COPPER
 2. INSULATION: NYLON
 3. DIMENSIONS IN BRACKETS [] ARE IN MILLIMETERS AND ARE FOR REFERENCE ONLY.
 4. UL LISTED WIRE CONNECTORS PER UL486A/B (FILE E9498) REQUIREMENTS.
 5. WIRE CONNECTOR:
 - 600V MAXIMUM
 - BUILDING WIRE: 1000V MAXIMUM, SIGNS OR LUMINARIES
 - TEMPERATURE RATING OF INSULATING MATERIAL 105°C
 - FLAME RATING: UL746C GLOW WIRE TEST
 6. MEETS REQUIREMENTS OF SAE-AS7928.
 7. ITEMS WITH CATALOG NUMBERS FOLLOWED BY ASTERISKS (*) ARE NOT UL LISTED.

TO ORDER BURNDY® PRODUCTS CALL		INSULUG	
UNITED STATES 1-800-346-4175 (LONDONDERRY, NH)		ITEM NO: SEE TABLE	
CANADA: 1-800-361-6975 (QUEBEC) 1-800-387-6487 (ALL OTHER PROVINCES)		CAT. NO: TYPE YAEV-RS	
FOR PRODUCT INFO: http://www.burndy.com		DRAWN BY: P.WINSON 11/15/2018	
		CHECKER: V.SAKTHIVEL 11/15/2018	
		DSN APRVL: K.CASTONGUAY 11/17/2018	
		MFG APRVL: --	
		QA APRVL: B.POST 11/17/2018	
		MKT APRVL: M.BAILLY 11/16/2018	
		PROD FAM: --	
		PROJECT #: --	
		SIZE	
		D	
		DRAWING NO	
		50094167	
		SHEET 1 OF 1	
		REV	
		A	