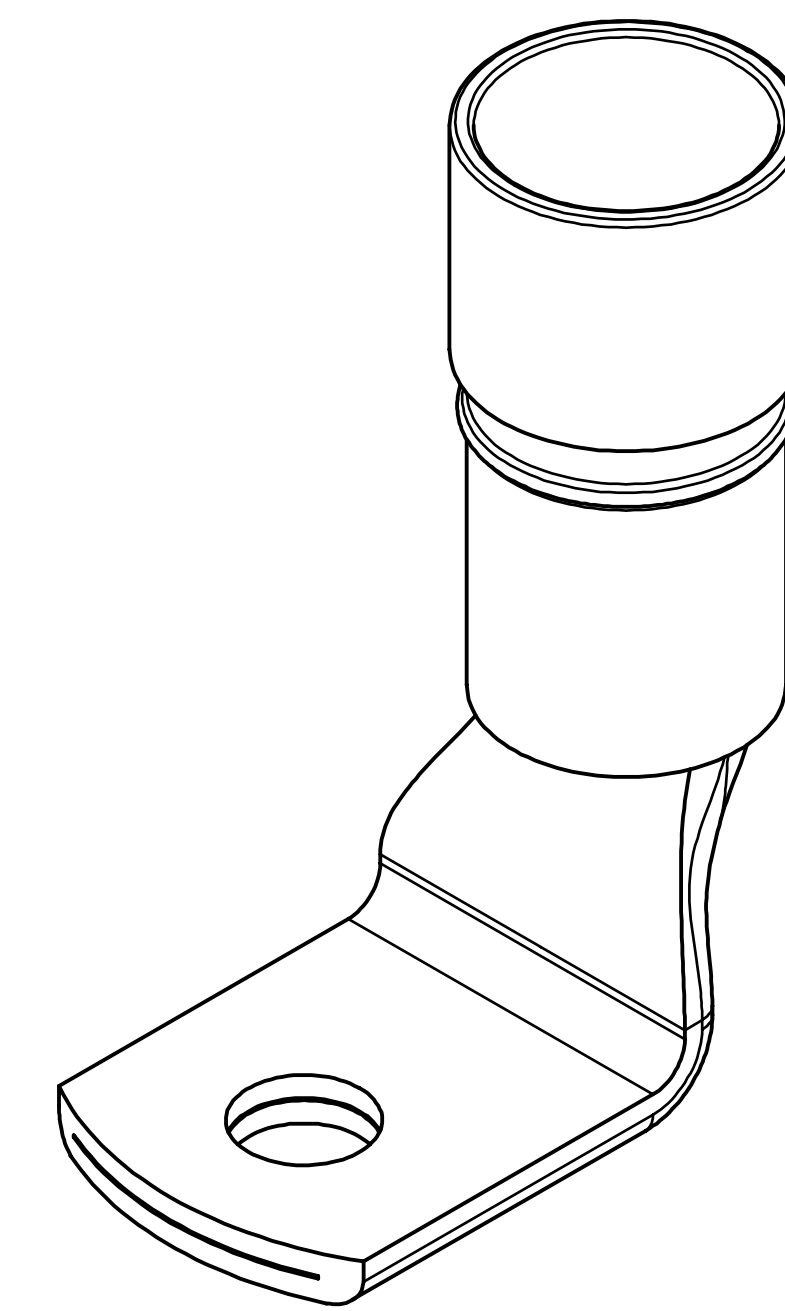
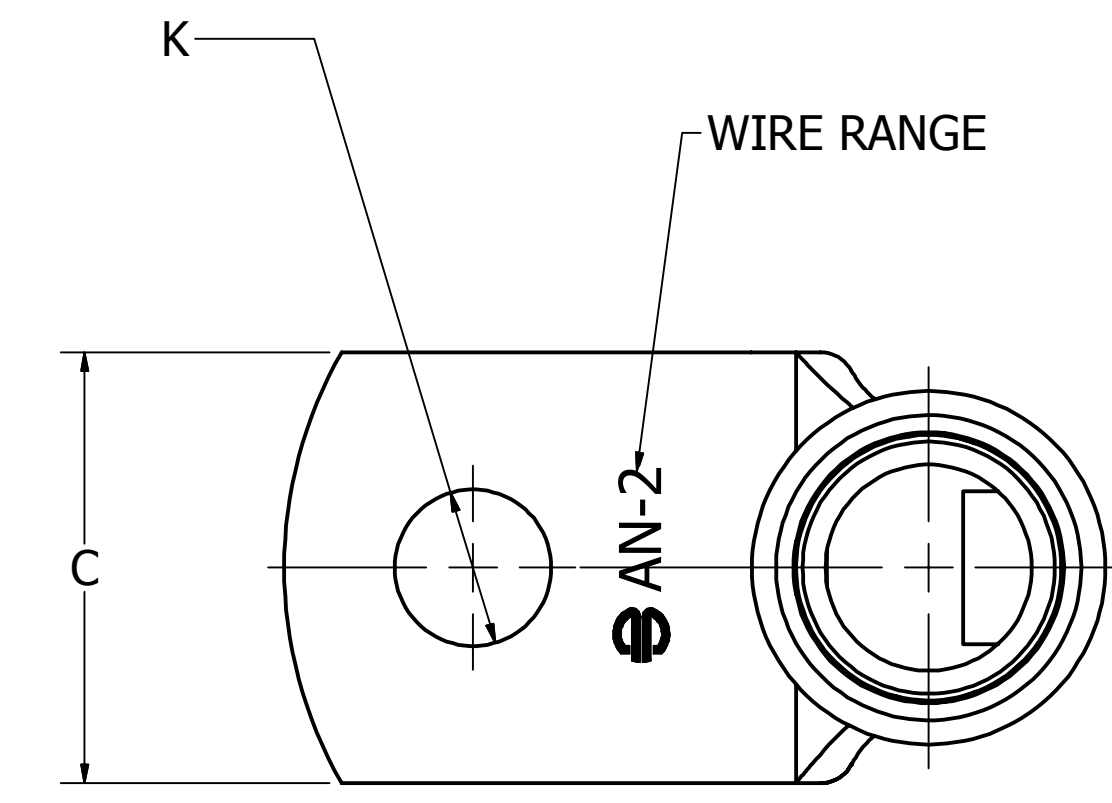
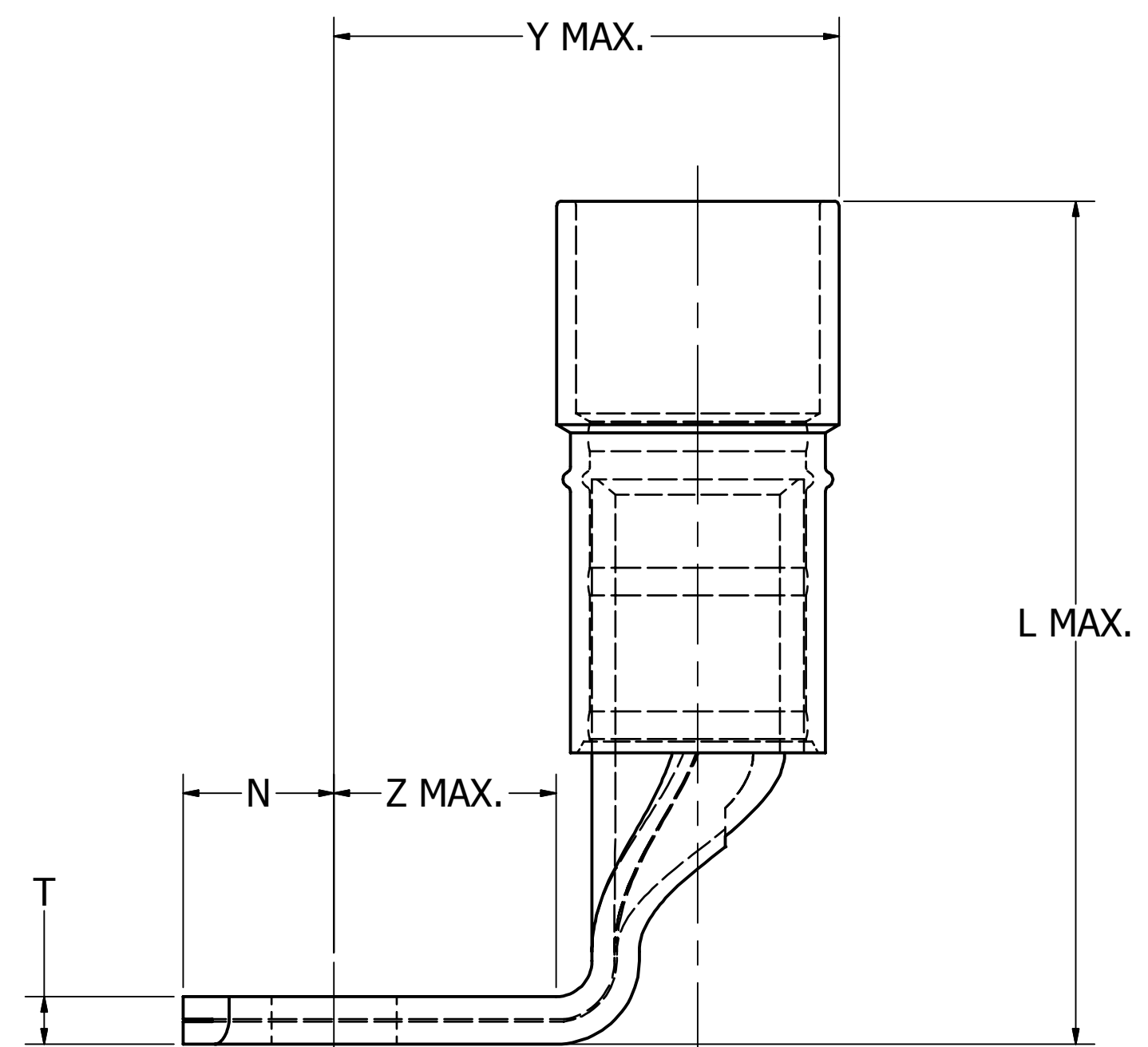


REV	DATE	DESCRIPTION	ECO	BY	C'H'K.
A	11/16/2018	NEW DRAWING CREATION	50289	YR	VS

WIRE SIZE (AWG), AN Aircraft	STUD SIZE	CATALOG NUMBER	C		K		L MAX.	N		T ±.01 [±.25]	Y MAX.	Z MIN.	MAX. WIRE INSUL. DIA. ACCOM.	WIRE STRIP LENGTH ±.03 [±.8]	COLOR CODE	DIE INDEX
			MAX.	MIN.	MAX.	MIN.		MAX.	MIN.							
8 Str. and Sol.	10	YAEV8CRH	.44 [11.2]	.38 [9.7]	.23 [5.8]	.19 [4.8]	1.38 [35.1]	.22 [5.6]	.18 [4.6]	.07 [1.8]	.87 [22.1]	.25 [6.4]	.30 [7.6]	7/16" [11.1]	RED	435
	1/4"	YAEV8CRH1			.28 [7.1]	.26 [6.6]					.90 [22.9]					
6 Str. and Sol.	10	YAEV6CRH1	.53 [13.5]	.47 [11.9]	.23 [5.8]	.19 [4.8]	1.43 [36.3]	.27 [6.9]	.23 [5.8]	.06 [1.5]	.97 [24.6]	.28 [7.1]	.38 [9.7]	1/2" [12.7]	BLUE	436
	1/4"	YAEV6CRH			.28 [7.1]	.26 [6.6]					1.04 [26.4]					
4 Str. and Sol.	10	YAEV4CRH	.56 [14.2]	.50 [12.7]	.40 [10.2]	.38 [9.7]	1.53 [38.9]	.33 [8.4]	.29 [7.4]	.08 [2.0]	1.11 [28.2]	.34 [8.7]	.44 [11.2]	YELLOW	437	
	3/8"	YAEV4CRH2									.70 [17.8]					.64 [16.3]
2 Str. and Sol.	1/4"	YAEV2CRH1	.70 [17.8]	.64 [16.3]	.28 [7.1]	.26 [6.6]	1.88 [47.8]	.35 [8.9]	.31 [7.9]	.10 [2.5]	1.32 [33.5]	.34 [8.7]	.58 [14.7]	WHITE	600	
	3/8"	YAEV2CRH			.34 [8.6]	.32 [8.1]					1.99 [50.5]					1.50 [38.1]
1 Str. and Sol.	5/16"	YAEV1CRH2	.76 [19.3]	.70 [17.8]	.40 [10.2]	.38 [9.7]	2.29 [58.2]	.41 [10.4]	.37 [9.4]	.12 [3.0]	1.60 [40.6]	.47 [11.9]	.73 [18.5]	YELLOW	601	
		YAEV1CRH	.84 [21.3]	.78 [19.8]	.40 [10.2]	.38 [9.7]					2.42 [61.5]					1.60 [40.6]
1/0 Str. and Sol.	3/8"	YAEV25RH*	.84 [21.3]	.78 [19.8]	.40 [10.2]	.38 [9.7]	2.29 [58.2]	.41 [10.4]	.37 [9.4]	.12 [3.0]	1.50 [38.1]	.44 [11.1]	.66 [16.8]	11/16" [17.5]	BLUE	439
2/0 Str. and Sol.	3/8"	YAEV26RH*	.95 [24.1]	.89 [22.6]	.40 [10.2]	.38 [9.7]	2.42 [61.5]	.41 [10.4]	.37 [9.4]	.12 [3.0]	1.60 [40.6]	.47 [11.9]	.73 [18.5]	13/16" [20.6]	YELLOW	601



- NOTES:
1. TERMINAL: TIN PLATED COPPER
 2. INSULATION: NYLON
 3. DIMENSIONS IN BRACKETS [] ARE IN MILLIMETERS AND ARE FOR REFERENCE ONLY.
 4. UL LISTED WIRE CONNECTORS PER UL486A/B (FILE E9498) REQUIREMENTS.
 5. WIRE CONNECTOR:
 - 600V MAXIMUM BUILDING WIRE: 1000V MAXIMUM, SIGNS OR LUMINARIES
 - TEMPERATURE RATING OF INSULATING MATERIAL 105°C
 - FLAME RATING: UL746C GLOW WIRE TEST
 6. MEETS REQUIREMENTS OF SAE-AS7928.
 7. ITEMS WITH CATALOG NUMBERS FOLLOWED BY ASTERISKS (*) ARE NOT UL LISTED.

TO ORDER BURNDY® PRODUCTS CALL		INSULUG	
UNITED STATES 1-800-346-4175 (LONDONDERRY, NH)		ITEM NO: --	
CANADA: 1-800-361-6975 (QUEBEC) 1-800-387-6487 (ALL OTHER PROVINCES)		CAT. NO: TYPE YAEV-RH	
FOR PRODUCT INFO: http://www.burndy.com		DRAWN BY: R.YOGARAJ 11/16/2018	
		CHECKER: V.SAKTHIVEL 11/16/2018	
		DSN APRVL: --	
		MFG APRVL: --	
		QA APRVL: --	
		MKT APRVL: --	
		PROD FAM: --	
		DRAWING NO	
		50094168	
		REV	
		A	
		SHEET 1 OF 1	