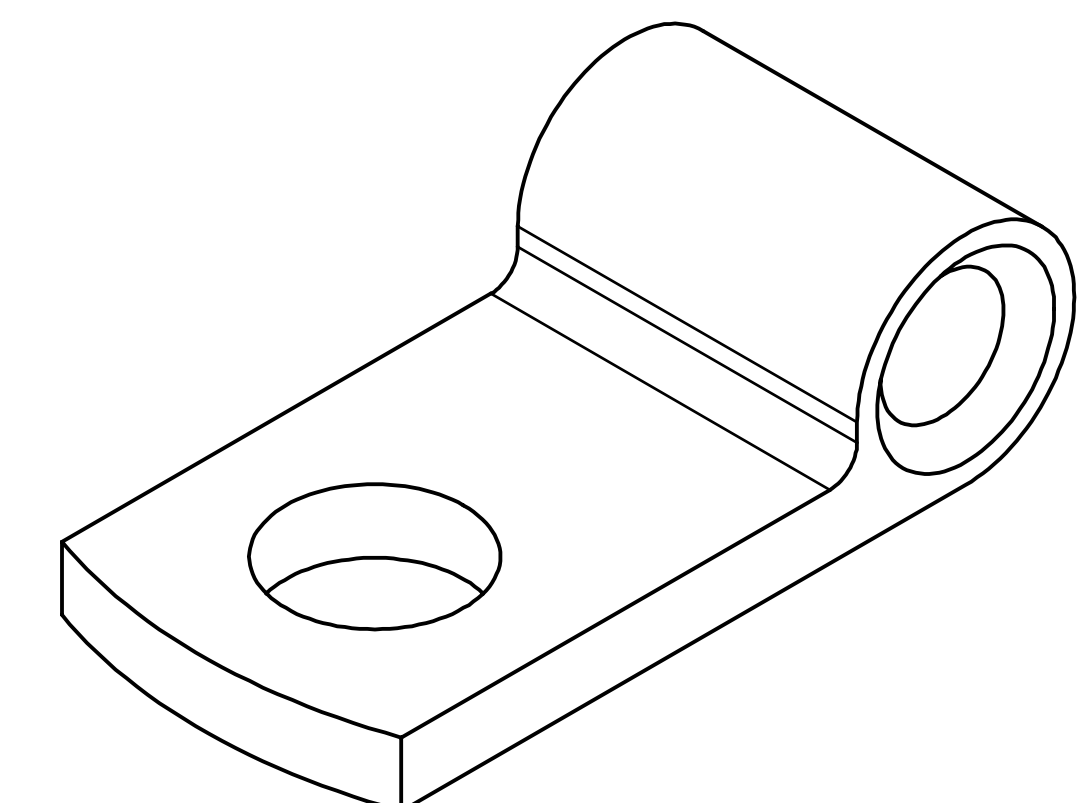
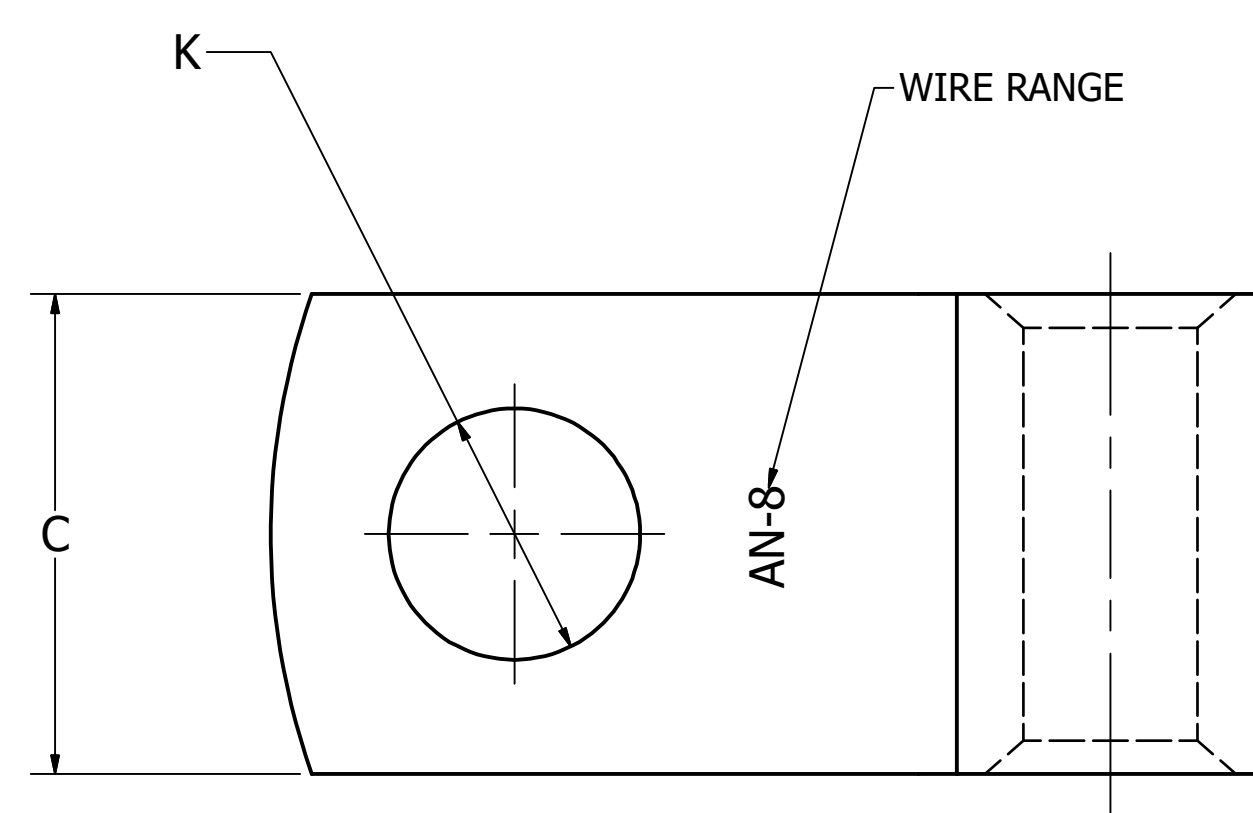
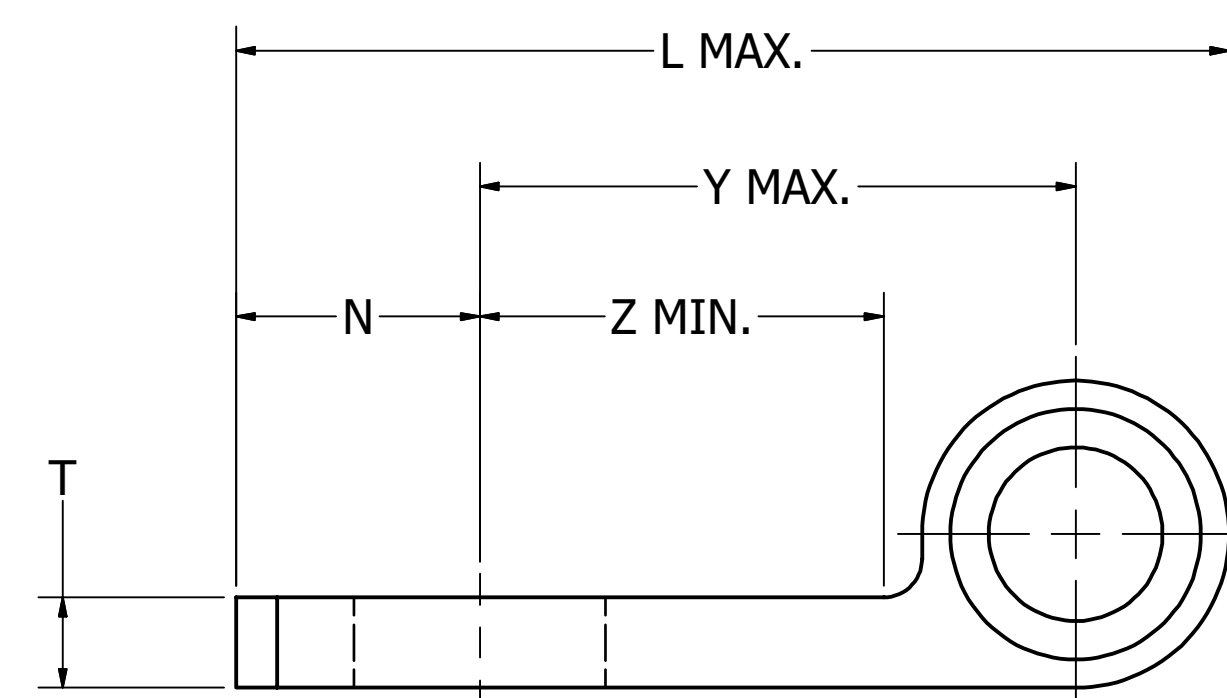


REV	DATE	DESCRIPTION	ECO	BY	CH'K.
A	11/22/2018	NEW DRAWING CREATION	50386	YR	VS

WIRE SIZE (AWG), AN Aircraft	STUD SIZE	CATALOG NUMBER	C		K		L MAX.	N		T ±.01 [±.25]	Y MAX.	Z MIN.	WIRE STRIP LENGTH ±.03 [±.8]	DIE INDEX	
			MAX.	MIN.	MAX.	MIN.		MAX.	MIN.						
8 Class I, K, DLO (37/24)	10	YBM8C	.45 [11.5]	.42 [10.7]	.23 [5.8]	.19 [4.8]	1.01 [25.7]	.25 [6.3]	.22 [5.6]	.09 [2.3]	.60 [15.3]	.33 [8.3]	7/16" [11.1]	54	
	1/4"	YBM8CT2	.52 [13.1]	.49 [12.3]	.28 [7.1]	.26 [6.6]	1.07 [27.2]	.28 [7.1]	.25 [6.4]		.64 [16.2]	.36 [9.1]	1/2" [12.7]		
	3/8"	YBM8CT4	.64 [16.3]	.61 [15.5]	.40 [10.2]	.38 [9.7]	1.19 [30.2]	.34 [8.7]	.31 [8.0]		.70 [17.7]	.42 [10.7]	9/16" [14.3]		
6 Class I, DLO (81/24)	10	YBM6CL9	.52 [13.1]	.49 [12.3]	.23 [5.8]	.19 [4.8]	1.09 [27.7]	.25 [6.3]	.22 [5.6]	.09 [2.3]	.66 [16.7]	.36 [9.1]	1/2" [12.7]	55	
	1/4"	YBM6CL			.28 [7.1]	.26 [6.6]	1.12 [28.4]	.28 [7.1]	.25 [6.4]		.66 [16.7]				
	5/16"	YBM6CL2	.58 [14.7]	.55 [13.9]	.34 [8.6]	.32 [8.1]	1.21 [30.7]	.31 [7.9]	.28 [7.2]		.72 [18.3]	.42 [10.7]	9/16" [14.3]		
	3/8"	YBM6CL3	.64 [16.3]	.61 [15.5]	.40 [10.2]	.38 [9.7]	1.24 [31.5]	.34 [8.7]	.31 [8.0]		.72 [18.3]	.42 [10.7]	5/8" [15.9]		
4 Class I, DLO (105/24)	10	YBM4CL4	.52 [13.1]	.49 [12.3]	.23 [5.8]	.19 [4.8]	1.18 [30.0]	.25 [6.3]	.22 [5.6]	.09 [2.3]	.70 [17.9]	.36 [9.1]	1/2" [12.7]	56	
	1/4"	YBM4CL			.28 [7.1]	.26 [6.6]	1.21 [30.7]	.28 [7.1]	.25 [6.4]		.70 [17.9]				
	5/16"	YBM4CL1	.58 [14.7]	.55 [13.9]	.34 [8.6]	.32 [8.1]	1.30 [33.0]	.31 [7.9]	.28 [7.2]		.77 [19.5]	.42 [10.7]	9/16" [14.3]		
2 Class I, DLO (150/24)	3/8"	YBM4CL2	.64 [16.3]	.61 [15.5]	.40 [10.2]	.38 [9.7]	1.33 [33.8]	.34 [8.7]	.31 [8.0]	.10 [2.5]	.77 [19.5]	.42 [10.7]	5/8" [15.9]	57	
		1/4"			YBM2CL1	.28 [7.1]	.26 [6.6]	1.28 [32.5]	.28 [7.1]		.25 [6.4]				.74 [18.8]
		5/16"			YBM2CL2	.34 [8.6]	.32 [8.1]	1.38 [35.1]	.31 [7.9]		.28 [7.2]				.80 [20.4]
	3/8"	YBM2CL			.40 [10.2]	.38 [9.7]	1.35 [34.3]	.34 [8.7]	.31 [8.0]		.74 [18.8]				
1 Class I, DLO (225/24)	1/4"	YBM1CL1	.89 [22.6]	.86 [21.8]	.28 [7.1]	.26 [6.6]	1.40 [35.6]	.28 [7.1]	.25 [6.4]	.12 [3.0]	.83 [21.1]	.49 [12.3]	1" [25.4]	572	
	3/8"	YBM1CL			.40 [10.2]	.38 [9.7]	1.53 [38.9]	.34 [8.7]	.31 [8.0]		.89 [22.7]				
	1/2"	YBM1CL3			.54 [13.7]	.51 [13.0]	1.78 [45.2]	.47 [11.9]	.44 [11.1]		1.02 [25.8]				
1/0 Class I, DLO (275/24)	1/4"	YBM25L1	.70 [17.9]	.67 [17.1]	.28 [7.1]	.26 [6.6]	1.49 [37.8]	.28 [7.1]	.25 [6.4]	.12 [3.0]	.88 [22.2]	.42 [10.7]	5/8" [15.9]	58	
	5/16"	YBM25L2			.34 [8.6]	.32 [8.1]	1.56 [39.6]	.31 [7.9]	.28 [7.2]		.91 [23.0]				
	3/8"	YBM25L			.40 [10.2]	.38 [9.7]	1.62 [41.1]	.34 [8.7]	.31 [8.0]		.94 [23.8]				
2/0 Class I, DLO (325/24)	1/4"	YBM26L2	.83 [21.0]	.80 [20.2]	.28 [7.1]	.26 [6.6]	1.66 [42.2]	.31 [7.9]	.28 [7.2]	.12 [3.2]	.96 [24.4]	.45 [11.5]	13/16" [20.6]	598	
	5/16"	YBM26L1			.34 [8.6]	.32 [8.1]	1.65 [41.9]	.31 [7.9]	.28 [7.2]		.96 [24.4]				
	3/8"	YBM26L	.40 [10.2]	.38 [9.7]	1.71 [43.4]	.34 [8.7]	.31 [8.0]	.99 [25.2]							
	1/2"	YBM26L3	.89 [22.6]	.86 [21.8]	.54 [13.7]	.51 [13.0]	1.96 [49.8]	.47 [11.9]	.44 [11.1]		1.12 [28.3]	.61 [15.5]	27/32" [21.4]		
4/0 Class I, DLO (550/24)	1/4"	YBM281/4	.96 [24.5]	.94 [23.7]	.28 [7.1]	.26 [6.6]	2.09 [53.2]	.47 [11.9]	.44 [11.1]	.12 [3.2]	1.18 [29.9]	.71 [17.9]	1" [25.4]	573	



NOTES:

1. TERMINAL: TIN PLATED COPPER
2. DIMENSIONS IN BRACKETS [] ARE IN MILLIMETERS AND ARE FOR REFERENCE ONLY.
3. UL LISTED WIRE CONNECTORS PER UL486A/B (FILE E9498) REQUIREMENTS.

TO ORDER BURNDY® PRODUCTS CALL		HYLUG	
UNITED STATES 1-800-346-4175 (LONDONDERRY, NH)		ITEM NO: --	
CANADA: 1-800-361-6975 (QUEBEC) 1-800-387-6487 (ALL OTHER PROVINCES)		CAT. NO: TYPE YBM	
FOR PRODUCT INFO: http://www.burndy.com		DRAWN BY: R.YOGARAJ 11/22/2018	
		CHECKER: V.SAKTHIVEL 11/22/2018	
		DSN APRVL: --	
		MFG APRVL: --	
		QA APRVL: --	
		MKT APRVL: --	
		PROD FAM: --	
		DRAWING NO	
		50094169	
		REV	
		A	
		SHEET 1 OF 1	