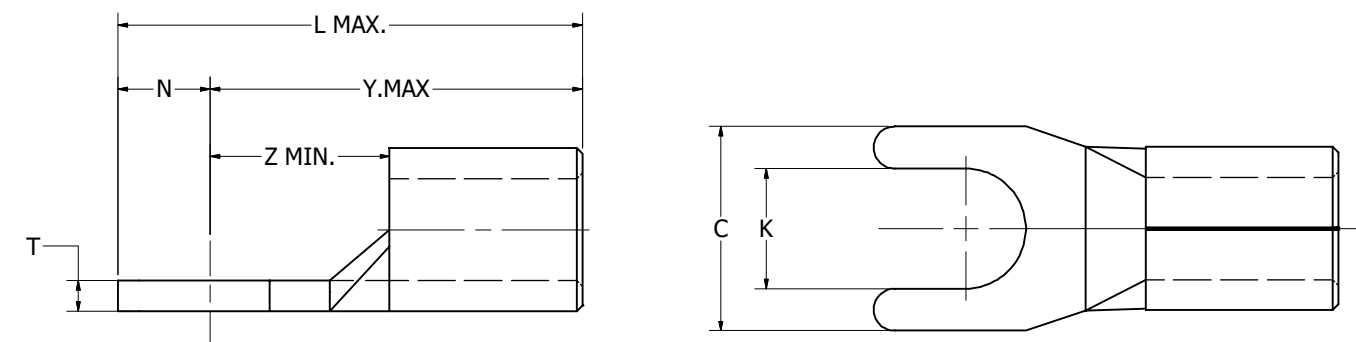
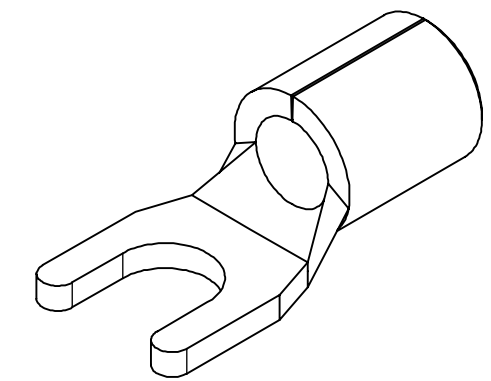


WIRE SIZE (AWG)	STUD SIZE	CATALOG NUMBER	BULK CATALOG NUMBER	C		K		L MAX.	N		T ± .01 [± 0.25]	Y MAX.	Z MIN.	WIRE STRIP LENGTH ± .03 [± .8]	INSTALLATION TOOLING (ONE CRIMP)		
				MAX.	MIN.	MAX.	MIN.		MAX.	MIN.							
22-18 Str. and Sol.	6	T186F	YAD186F	.28 [7.2]	.28 [7.1]	.15 [3.8]	.14 [3.6]	.68 [17.3]	.14 [3.6]	.13 [3.4]	.03 [.8]	.55 [14.0]	.25 [6.4]	9/32" [7.1]	Y6NCB [J1022NC5], Y6NCP1 [J1022NC5], Y10D, Y1022, MR8G98, MR20, Y8MRB1, MRE1022B		
	8	T188F	YAD188F	.32 [8.0]	.31 [7.9]	.18 [4.5]	.16 [4.1]	.73 [18.5]	.18 [4.4]	.16 [4.2]		.57 [14.5]	.27 [6.9]				
	10	T1810F	YAD1810F	.38 [9.7]	.37 [9.4]	.23 [5.8]	.19 [4.8]		.16 [4.1]	.15 [3.8]		.58 [14.7]	.28 [7.1]				
	1/4	T1814F	YAD1814F	.47 [12.0]	.47 [11.9]	.28 [7.1]	.26 [6.6]	.92 [23.4]	.24 [6.1]	.23 [5.8]		.69 [17.5]	.39 [9.9]				
20-14 Str. and Sol.	6	T146F	YAD146F	.28 [7.2]	.28 [7.1]	.15 [3.8]	.14 [3.6]	.68 [17.3]	.14 [3.6]	.13 [3.4]		.04 [1.0]	.55 [14.0]			.25 [6.4]	No. 14 Str: MR8G98, Y8MRB1 No. 12 Sol/Str: Y6NCB [J1022NC5], MR8G98, Y122CMR, Y10D, Y8MRB1 No. 10 Str: Y1022, Y8MRB1, MR20, MR8G98, Y122CMR No. 10 Sol: Y122CMR
	8	T148F	YAD148F	.32 [8.0]	.31 [7.9]	.18 [4.5]	.16 [4.1]	.73 [18.5]	.18 [4.4]	.16 [4.2]			.57 [14.5]			.27 [6.9]	
	10	T1410F	YAD1410F	.38 [9.7]	.37 [9.4]	.23 [5.8]	.19 [4.8]		.16 [4.1]	.15 [3.8]			.58 [14.7]			.28 [7.1]	
	1/4	T1414F	YAD1414F	.47 [12.0]	.47 [11.9]	.28 [7.1]	.26 [6.6]	.92 [23.4]	.24 [6.1]	.23 [5.8]			.69 [17.5]			.39 [9.9]	
14-10 Str. 12-10 Sol.	6	T106F	YAD106F	.28 [7.2]	.28 [7.1]	.15 [3.8]	.14 [3.6]	.74 [18.8]	.14 [3.6]	.13 [3.4]	.04 [1.0]		.61 [15.5]	.25 [6.4]	11/32" [8.7]	No. 14 Str: MR8G98, Y8MRB1 No. 12 Sol/Str: Y6NCB [J1022NC5], MR8G98, Y122CMR, Y10D, Y8MRB1 No. 10 Str: Y1022, Y8MRB1, MR20, MR8G98, Y122CMR No. 10 Sol: Y122CMR	
	8	T108F	YAD108F	.32 [8.0]	.31 [7.8]	.18 [4.5]	.16 [4.1]	.79 [20.1]	.18 [4.4]	.16 [4.2]			.63 [16.0]	.27 [6.9]			
	10	T1010F	YAD1010F	.41 [10.5]	.41 [10.3]	.23 [5.8]	.19 [4.8]	.87 [22.1]	.20 [5.1]	.19 [4.9]			.68 [17.3]	.32 [8.1]			
	1/4	T1014F	YAD1014F	.51 [12.8]	.49 [12.6]	.28 [7.1]	.26 [6.6]	.99 [25.1]	.26 [6.5]	.24 [6.2]			.75 [19.0]	.39 [9.9]			

REV	DATE	DESCRIPTION	ECO	BY	C'H'K.
A	08/30/2018	NEW DRAWING CREATION	49755	BK	VS



- NOTES:
1. TERMINAL: TIN PLATED COPPER
 2. DIMENSIONS IN BRACKETS [] ARE IN MILLIMETERS AND ARE FOR REFERENCE ONLY.
 3. DIE SETS ARE LISTED IN BRACKETS [] AFTER THEIR RESPECTIVE TOOLS.
 4. UL LISTED & CSA CERTIFIED WIRE CONNECTORS PER UL486A/B (FILE E9498) & CSA 22.2 NO.65 REQUIREMENTS (FILE 42862)
 5. DISCONTINUED TOOLS: INSY10D, Y14MV, Y8MRB, Y6NCP, Y10MRS, Y10MRPA, EMR20 CONTACT TECH SERVICE FOR INFORMATION ABOUT APPROVED APPLICATIONS (1-800-451-4956)

TO ORDER BURNDY® PRODUCTS CALL		HYLUG	
UNITED STATES 1-800-346-4175 (LONDONDERRY, NH)		ITEM NO: SEE TABLE	
CANADA: 1-800-361-6975 (QUEBEC) 1-800-387-6487 (ALL OTHER PROVINCES)		CAT. NO: TYPE T-F & YAD-F	
FOR PRODUCT INFO: http://www.burndy.com		DRAWN BY: K.BALAJI 30-08-2018	
		CHECKER: S.VENKATESAN 30-08-2018	
		DSN APRVL: K.CASTONGUAY 15-10-2018	
		MFG APRVL: --	
		QA APRVL: B.POST 07-09-2018	
		MKT APRVL: M.BAILLY 06-09-2018	
		PROD FAM: --	
		PROJECT #: --	
		DOCUMENT TYPE: SALES	
		REL LEVEL: Released	
		DRAWING NO	
		50094170	
		REV	
		A	
		SHEET 1 OF 1	