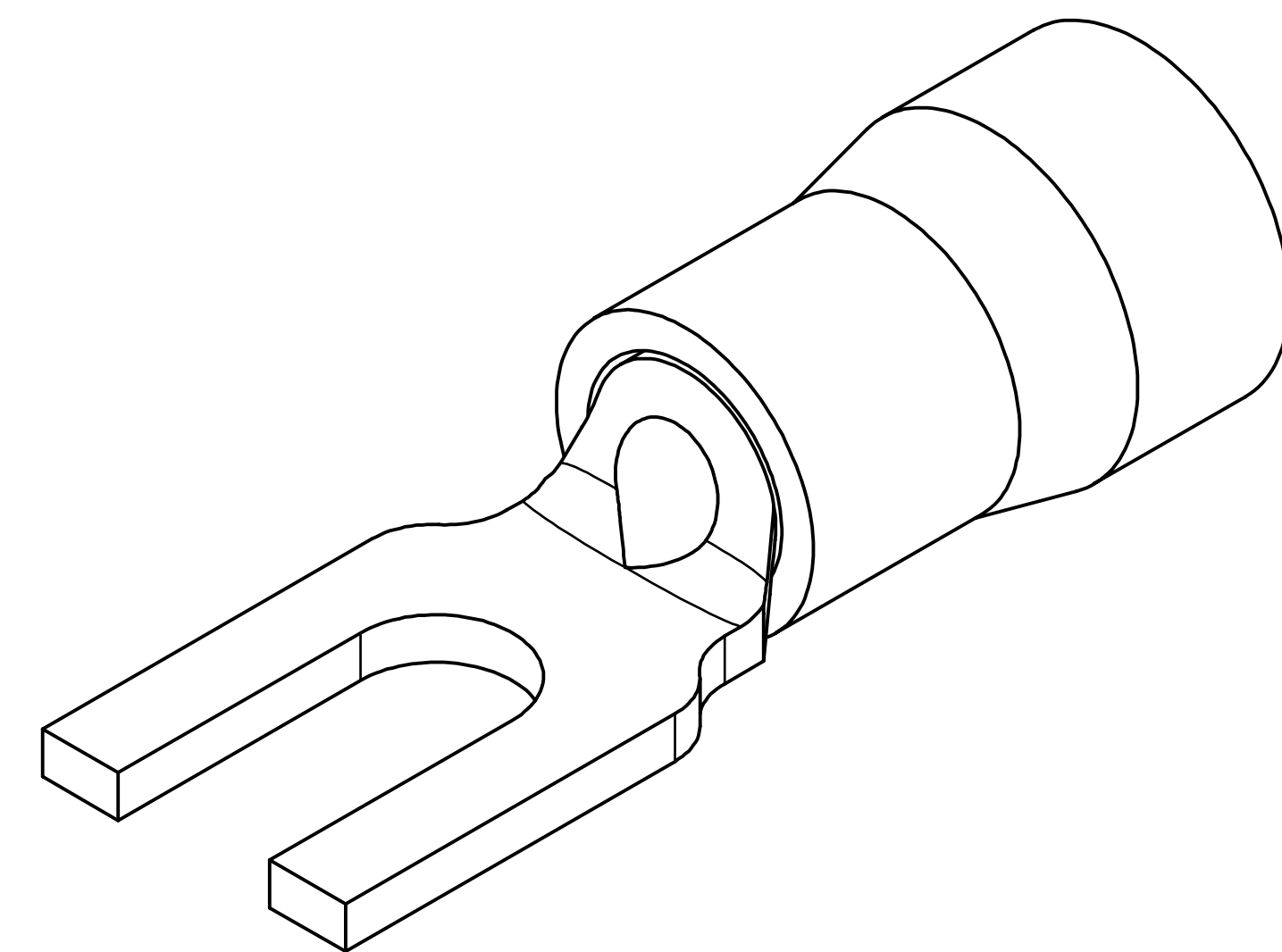
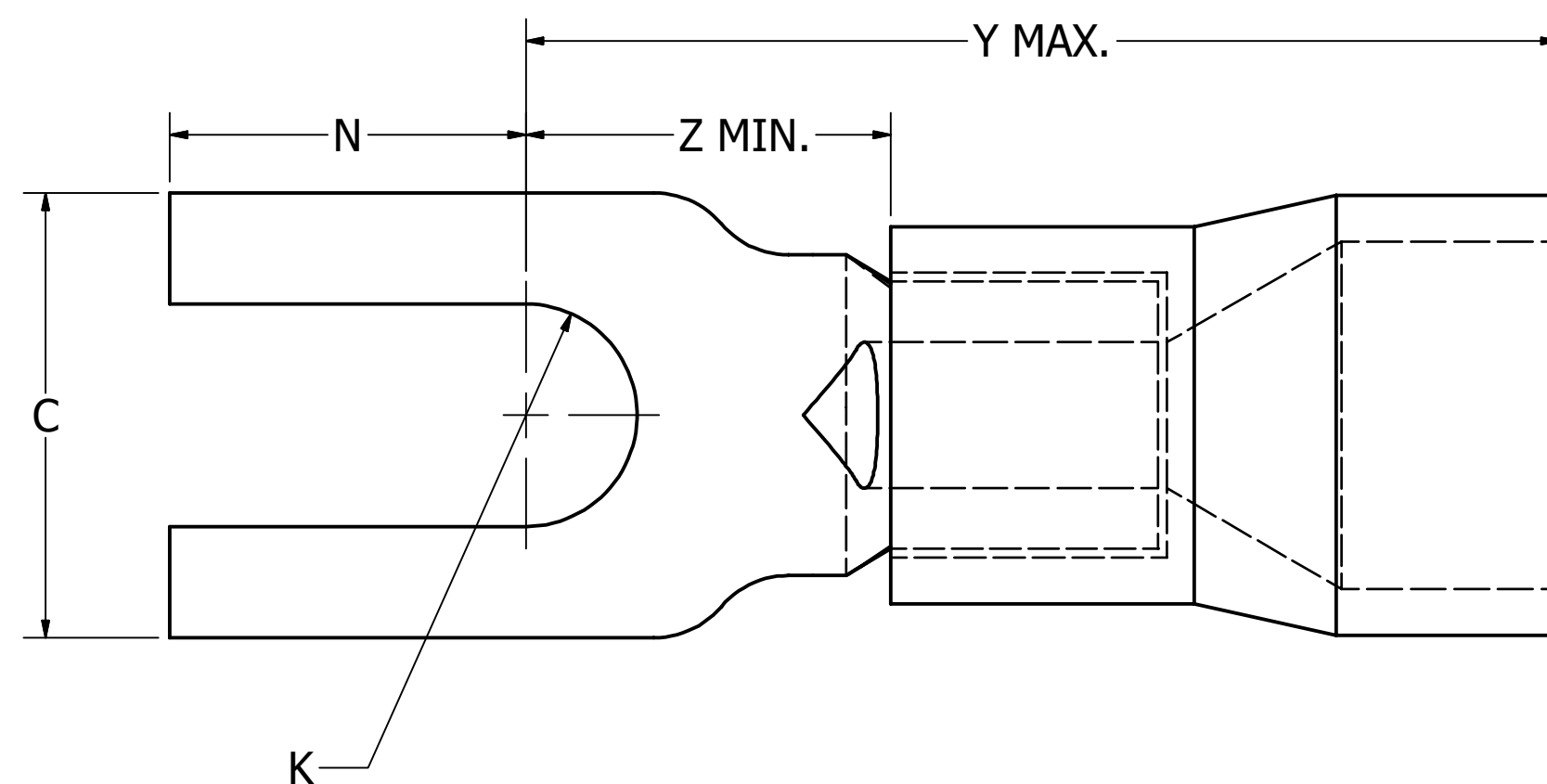
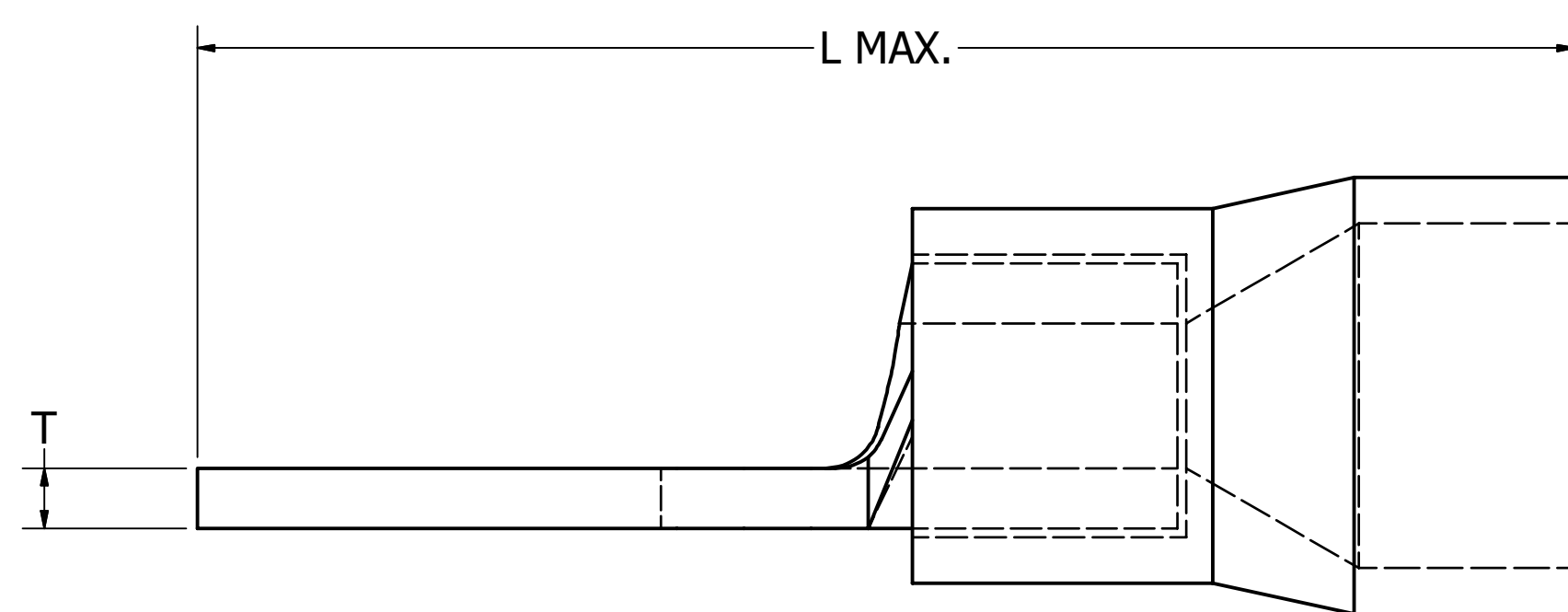


AWG WIRE SIZE (METRIC SIZE)	STUD SIZE	CATALOG NUMBER	BULK CATALOG NUMBER	C		K		L MAX.	N		T ± .01 [± .25]	Y MAX.	Z MIN.	MAX. WIRE INSUL. DIA. ACCOM.	WIRE STRIP LENGTH ± .03 [± .8]	COLOR CODE	INSTALLATION TOOLING* (ONE CRIMP)	REV	DATE	DESCRIPTION	ECO	BY	C'H'K.
				MAX.	MIN.	MAX.	MIN.		MAX.	MIN.								B	07/27/2020	METRIC WIRE SIZE ADDED IN TABLE	53947	SS	YR
26-20 Str. And Sol. (0.14 mm ² - 0.50 mm ²)	2	TN202F*	-	.19 [4.8]	.18 [4.5]	.10 [2.5]	.09 [2.3]	.76 [19.3]	.14 [3.6]	.13 [3.4]	.02 [.6]	.65 [16.5]	.22 [5.6]	.10 [2.5]	3/16" [4.8]	AMBER	M8ND [N14HET-25V1]						
	6	TN206F*	-	.29 [7.4]	.27 [6.9]	.15 [3.8]	.14 [3.6]	.80 [20.3]	.20 [5.1]	.19 [4.8]		.70 [17.8]	.26 [6.6]										
22-18 Str. and Sol. (0.34 mm ² - 0.75 mm ²)	6	TN186F	YAES18N1F	.28 [7.2]	.28 [7.1]	.15 [3.8]	.14 [3.6]	.79 [20.1]	.14 [3.6]	.13 [3.4]	.03 [.8]	.65 [16.5]	.24 [6.1]	.12 [3.0]	7/32" [5.6]	RED	Y6NCP1 [J1022NC3], Y6NCB [J1022NC3], Y10D, Y1022, MRE1022NV, MR18 (MR18 should only be used for stranded wire)						
	8	TN188F	YAES18N49F	.32 [8.0]	.31 [7.8]	.18 [4.5]	.16 [4.1]	.84 [21.3]	.18 [4.4]	.16 [4.2]		.67 [17.0]	.26 [6.6]										
	10	TN1810F	YAES18N3F	.38 [9.7]	.37 [9.4]	.23 [5.8]	.19 [4.8]		.16 [4.1]	.15 [3.8]		.68 [17.3]	.27 [6.9]										
	1/4	TN1814F	YAES18N50F	.47 [12.0]	.47 [11.9]	.28 [7.1]	.26 [6.6]	1.03 [26.2]	.24 [6.1]	.23 [5.8]		.79 [20.1]	.38 [9.7]										
16-14 Str. and Sol. (1.50 mm ²)	6	TN146F	YAES14N6F	.28 [7.2]	.28 [7.1]	.15 [3.8]	.14 [3.6]	.79 [20.1]	.14 [3.6]	.13 [3.4]	.03 [.8]	.65 [16.5]	.24 [6.1]	.15 [3.8]		BLUE							
	8	TN148F	YAES14N53F	.32 [8.0]	.31 [7.8]	.18 [4.5]	.16 [4.1]	.84 [21.3]	.18 [4.4]	.16 [4.2]		.67 [17.0]	.26 [6.6]										
	10	TN1410F	YAES14N8F	.38 [9.6]	.37 [9.4]	.23 [5.8]	.19 [4.8]		.16 [4.1]	.15 [3.8]		.68 [17.3]	.27 [6.9]										
	1/4	TN1414F	YAES14N54F	.47 [12.0]	.47 [11.9]	.28 [7.1]	.26 [6.6]	1.03 [26.2]	.24 [6.1]	.23 [5.8]		.79 [20.1]	.38 [9.7]										
12-10 Str. and Sol. (4.00 mm ²)	6	TN106F	YAES10N11F	.28 [7.2]	.28 [7.1]	.15 [3.8]	.14 [3.6]	.96 [24.4]	.14 [3.6]	.13 [3.4]	.04 [1.0]	.82 [20.8]	.24 [6.1]	.21 [5.3]	11/32" [8.7]	YELLOW							
	8	TN108F	YAES10N56F	.32 [8.0]	.31 [7.8]	.18 [4.5]	.16 [4.1]	1.01 [25.7]	.18 [4.4]	.16 [4.2]		.84 [21.3]	.26 [6.6]										
	10	TN1010F	YAES10N12F	.41 [10.5]	.41 [10.3]	.23 [5.8]	.19 [4.8]	1.09 [27.7]	.20 [5.1]	.19 [4.9]		.89 [22.6]	.31 [7.9]										
	1/4	TN1014F	YAES10N57F	.50 [12.8]	.50 [12.6]	.28 [7.1]	.26 [6.6]	1.21 [30.7]	.26 [6.5]	.24 [6.2]		.96 [24.4]	.38 [9.7]										



NOTES:

1. TERMINAL: TIN PLATED COPPER
2. INSULATION: NYLON
3. DIMENSIONS IN BRACKETS [] ARE IN MILLIMETERS AND ARE FOR REFERENCE ONLY.
4. DIE SETS ARE LISTED IN BRACKETS [] AFTER THEIR RESPECTIVE TOOLS.
5. UL LISTED & CSA CERTIFIED WIRE CONNECTORS PER UL486A/B (FILE E9498) & CSA C22.2 NO.65 REQUIREMENTS (FILE 42862)
6. DISCONTINUED TOOLS: Y6NCP, Y10MRS, Y10MRPA, INSY10D, MR883
CONTACT TECH SERVICE FOR INFORMATION ABOUT APPROVED APPLICATIONS (1-800-451-4956)
7. WIRE CONNECTOR:
300V MAXIMUM (600V MAXIMUM WHEN CRIMPED WITH MR18)
TEMPERATURE RATING OF INSULATING MATERIAL 105°C
FLAME RATING: UL746C GLOW WIRE TEST
8. ITEMS WITH CATALOG NUMBERS FOLLOWED BY ASTERISKS (*) ARE NOT UL LISTED OR CSA CERTIFIED

TO ORDER BURNDY® PRODUCTS CALL		INSULUG	
UNITED STATES 1-800-346-4175 (LONDONDERRY, NH)		ITEM NO: SEE TABLE	
CANADA: 1-800-361-6975 (QUEBEC) 1-800-387-6487 (ALL OTHER PROVINCES)		CAT. NO: TYPE TN-F & YAES-F	
FOR PRODUCT INFO: http://www.burndy.com		DRAWN BY: RBABU 9/27/2018	
		CHECKER: V.SAKTHIVEL 9/27/2018	
		DSN APRVL: K.CASTONGUAY 10/16/2018	
		MFG APRVL: --	
		QA APRVL: B.POST 10/5/2018	
		MKT APRVL: M.BAILLY 10/10/2018	
		PROD FAM: --	
		PROJECT #: --	
		SIZE	
		D	
		DRAWING NO	
		50094172	
		SHEET 1 OF 1	
		REV	
		B	