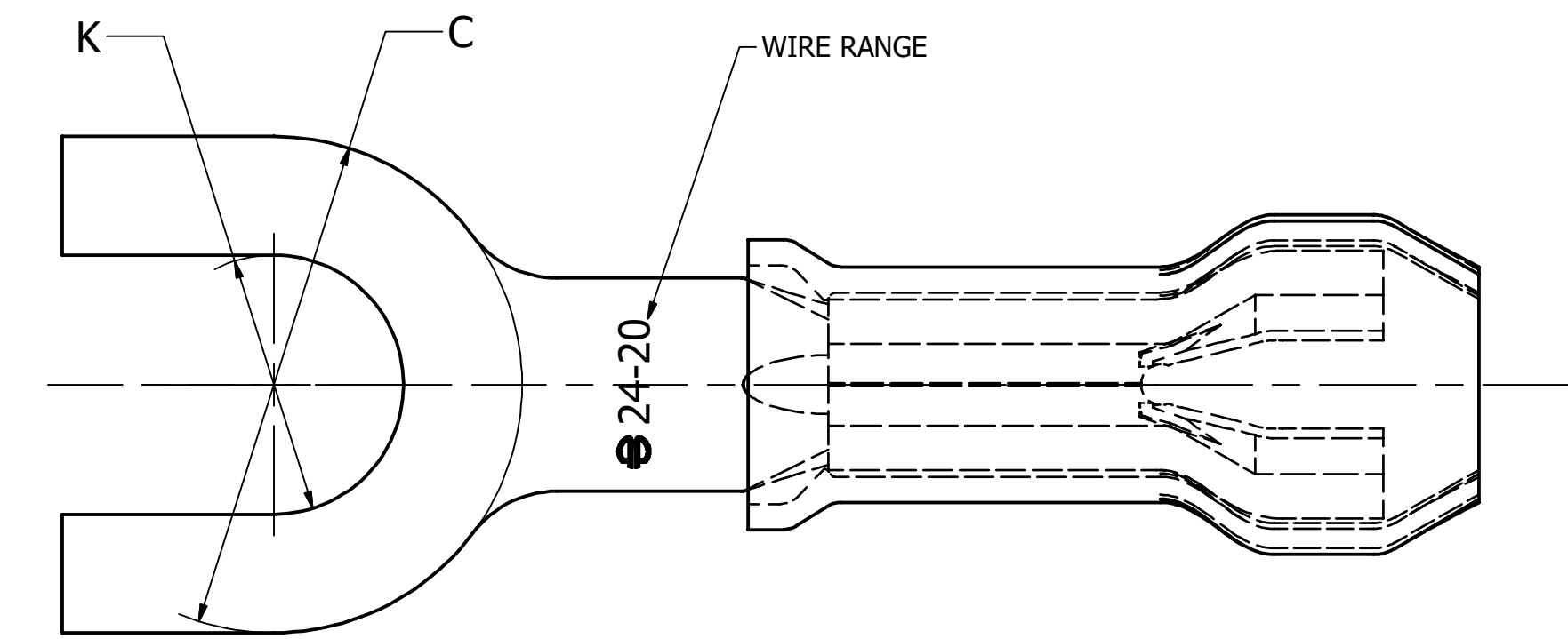
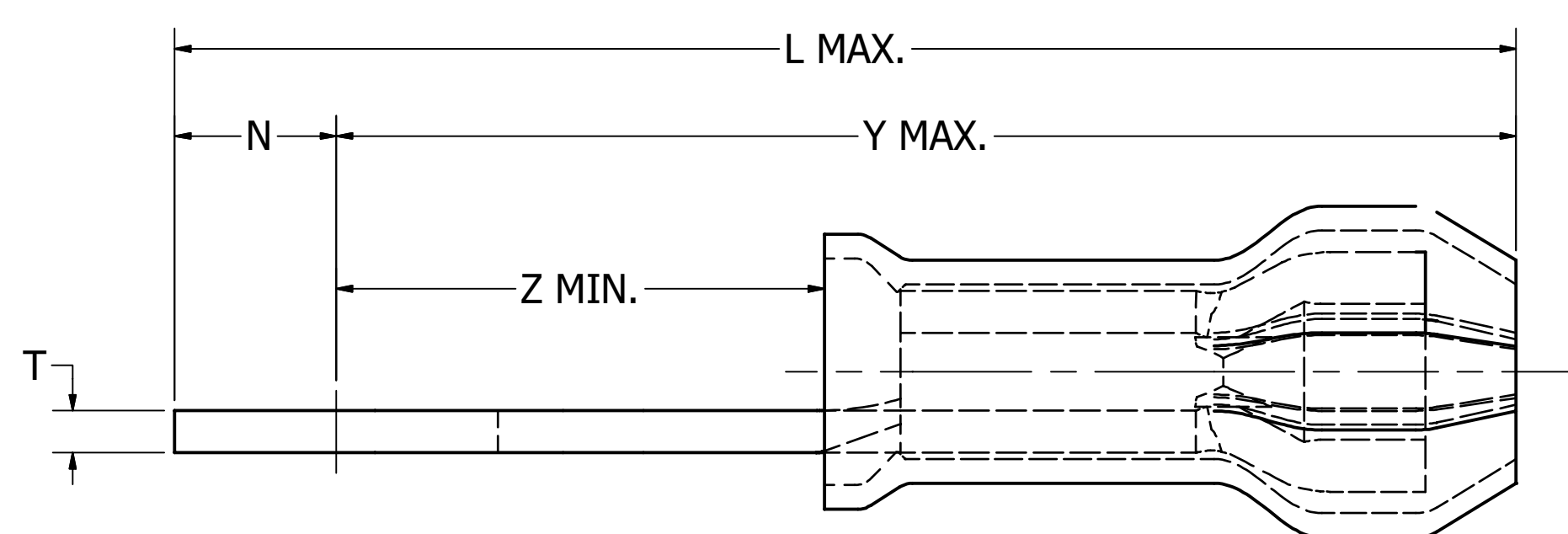
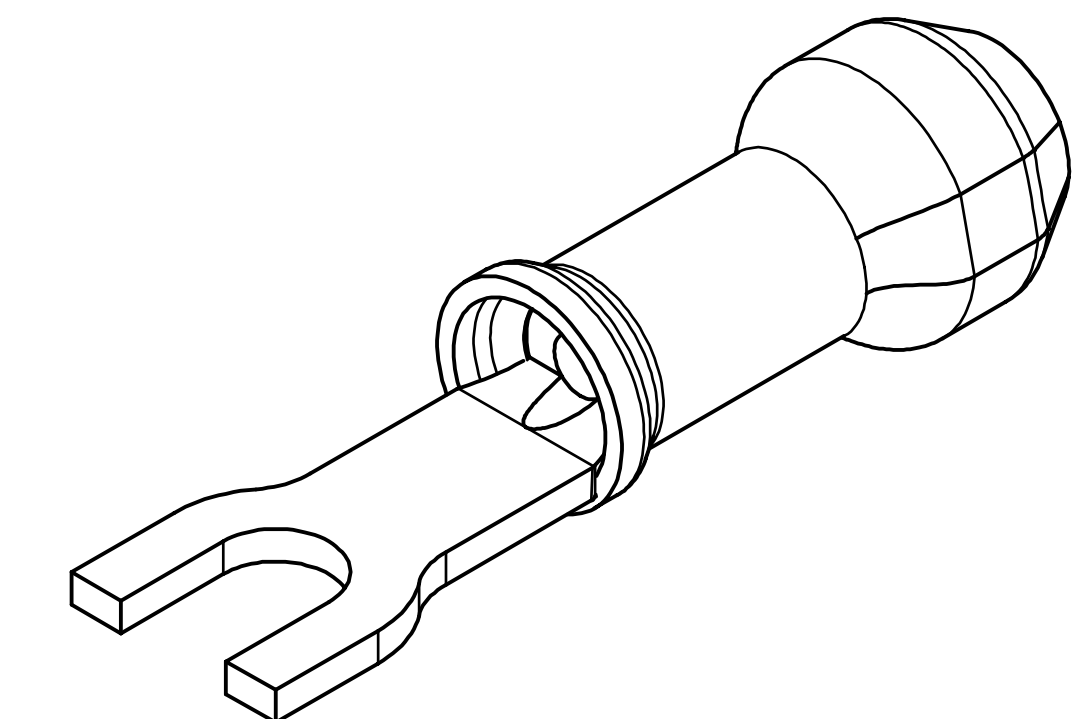


WIRE SIZE (AWG)	STUD SIZE	CATALOG NUMBER	BULK CATALOG NUMBER	TAPE MOUNTED CATALOG NUMBER 2000/REEL	C		K		L MAX.	N		T ± .01 [± .25]	Y MAX.	Z MIN.	MAX. WIRE INSUL. DIA. ACCOM.	WIRE STRIP LENGTH ± .03 [± .8]	COLOR CODE	INSTALLATION TOOLING (ONE CRIMP)	
					MAX.	MIN.	MAX.	MIN.		MAX.	MIN.								
24-20 Str. and Sol.	2	YAE22N65FBOX*	YAE22N65F	YAE22N65FM	.19 [4.8]	.17 [4.3]	.10 [2.5]	.09 [2.3]	.73 [18.5]	.11 [2.8]	.09 [2.2]	.02 [.6]	.63 [16.0]	.22 [5.7]	.11 [2.7]	5/32" [4.0]	AMBER	M8ND [N14HET25V1] <sup>12</sup>	
	6	YAE22N66FBOX*	YAE22N66F	YAE22N66FM	.30 [7.5]	.27 [6.8]	.16 [4.1]	.14 [3.6]	.80 [20.3]	.14 [3.6]	.12 [3.1]		.67 [17.0]	.26 [6.7]					
22-16 Str. and Sol.	4	YAE18N60FBOX*	YAE18N60F	YAE18N60FM	.22 [5.5]	.20 [5.0]	.12 [3.0]	.11 [2.8]	.92 [23.4]	.20 [5.2]	.18 [4.5]	.03 [.8]	.73 [18.6]	.24 [6.0]	.13 [3.2]	3/16" [4.8]	RED	Y6NCB [J1022NC1], Y6NCP1 [J1022NC1], Y1022, MRE1022NV	
	6	YAE18G43FBOX	YAE18G43F	YAE18G43FM	.26 [6.5]	.24 [6.2]	.15 [3.8]	.14 [3.6]	.77 [19.6]	.12 [3.0]	.10 [2.5]		.68 [17.2]	.18 [4.6]					
		YAE18N56FBOX†	YAE18N56F	-	.29 [7.3]	.27 [6.8]			.82 [20.8]	.13 [3.3]	.11 [2.9]		.71 [17.9]	.20 [5.2]					
	8	YAE18N57FBOX	YAE18N57F	YAE18N57FM	.33 [8.3]	.29 [7.3]	.18 [4.5]	.16 [4.1]	.95 [24.0]	.21 [5.3]	.19 [4.8]		.77 [19.6]	.28 [7.0]					
YAE18N58FBOX	-	-	.37 [9.4]	.34 [8.6]	1.01 [25.7]	.24 [6.0]			.22 [5.7]	.82 [20.9]	.32 [8.3]								
16-14 Str. and Sol.	6	YAE14N76FBOX	YAE14N76F	-	.29 [7.3]	.27 [6.8]	.15 [3.8]	.14 [3.6]	.86 [21.7]	.13 [3.3]	.11 [2.9]	.16 [4.0]	.74 [18.8]	.25 [6.4]	.16 [4.0]	BLUE	Y6NCB [J1022NC1], Y6NCP1 [J1022NC1], MRE1022NV		
	8	YAE14N77FBOX	YAE14N77F	YAE14N77FM	.33 [8.4]	.30 [7.5]			.18 [4.5]	.16 [4.1]	.96 [24.4]		.22 [5.5]	.19 [4.8]				.77 [19.6]	.29 [7.4]
	10	YAE14N78FBOX	YAE14N78F	YAE14N78FM	.37 [9.4]	.34 [8.6]			.23 [5.8]	.19 [4.8]	1.01 [25.7]		.23 [5.8]	.21 [5.2]				.79 [20.0]	.30 [7.6]
12-10 Str. and Sol.	6	YAE10N80FBOX*	YAE10N80F	-	.38 [9.6]	.32 [8.3]	.15 [3.8]	.14 [3.6]	1.02 [25.9]	.38 [9.7]	.32 [8.1]	.04 [1.0]	.70 [17.8]	.29 [7.4]	.24 [6.0]	3/8" [9.5]	YELLOW	Y6NCB [J1022NC1], Y6NCP1 [J1022NC1], MRE1022NV	
	8	YAE10N81FBOX*	YAE10N81F	-									.18 [4.5]						.16 [4.1]
	10	YAE10N82FBOX*	YAE10N82F	-	.40 [10.2]	.34 [8.6]	.23 [5.8]	.19 [4.8]		.40 [10.2]	.34 [8.6]		.73 [18.5]						
	1/4	YAE10N83FBOX	-	-	.53 [13.5]	.47 [11.9]	.28 [7.1]	.26 [6.6]		1.29 [32.8]	.53 [13.5]		.47 [11.9]						

REV	DATE	DESCRIPTION	ECO	BY	C'H'K.
E	04/08/2020	GOLD PLATING NOTES ADDED	53334	WP	SS



- NOTES:
1. TERMINAL: TIN PLATED COPPER
  2. INSULATION: NYLON
  3. DIMENSIONS IN BRACKETS [ ] ARE IN MILLIMETERS AND ARE FOR REFERENCE ONLY.
  4. DIE SETS ARE LISTED IN BRACKETS [ ] AFTER THEIR RESPECTIVE TOOLS.
  5. FOR CONNECTORS MOUNTED ON MYLAR USE INSTALLATION TOOL OEM175TFM:  
USE DIE SET TFM2218NV FOR WIRE SIZE 22-18  
USE DIE SET TFM1614NV FOR WIRE SIZE 16-14  
USE DIE SET TFM1210NV FOR WIRE SIZE 12-10
  6. REFERENCE DRAWING 50105270 FOR MORE INFORMATION ABOUT TAPE MOUNTED TERMINALS.
  7. UL LISTED & CSA CERTIFIED WIRE CONNECTORS PER UL486A/B (FILE E9498) & CSA C22.2 NO.65 REQUIREMENTS (FILE 42862)
  8. DISCONTINUED TOOLS: MR833T1, Y6NCP, Y10MRS, Y10MRPA, MR833T  
CONTACT TECH SERVICE FOR INFORMATION ABOUT APPROVED APPLICATIONS (1-800-451-4956).
  9. WIRE CONNECTOR:  
600V MAXIMUM  
TEMPERATURE RATING OF INSULATING MATERIAL 105°C  
FLAME RATING: UL746C GLOW WIRE TEST
  10. ITEMS WITH CATALOG NUMBERS FOLLOWED BY ASTERISKS (\*) ARE NOT UL LISTED OR CSA CERTIFIED
  11. ITEMS WITH CATALOG NUMBERS FOLLOWED BY DAGGERS (†) ARE CSA CERTIFIED BUT NOT UL LISTED
  12. TOOLING IS NOT UL LISTED OR CSA CERTIFIED FOR TYPE YAE22.
  13. ADD "DU4" SUFFIX FOR GOLD PLATED INSULUGS.

TO ORDER BURNDY® PRODUCTS CALL		INSULUG™	
UNITED STATES 1-800-346-4175 (LONDONDERRY, NH)		ITEM NO: SEE TABLE	
CANADA: 1-800-361-6975 (QUEBEC) 1-800-387-6487 (ALL OTHER PROVINCES)		CAT. NO: YAE-N-F	
FOR PRODUCT INFO: <a href="http://www.burndy.com">http://www.burndy.com</a>		DRAWN BY: P.PRASANTH 10/16/2018	
		CHECKER: V.SAKTHIVEL 10/16/2018	
		DSN APRVL: K.CASTONGUAY 11/29/2018	
		MFG APRVL: --	
		QA APRVL: B.POST 10/16/2018	
		MKT APRVL: M.BAILLY 10/17/2018	
		PROD FAM: --	
		PROJECT #: --	
		DOCUMENT TYPE: SALES	
		REL LEVEL: Released	
		SIZE <b>D</b>	DRAWING NO <b>50094173</b>
			REV <b>E</b>
		SHEET 1 OF 1	