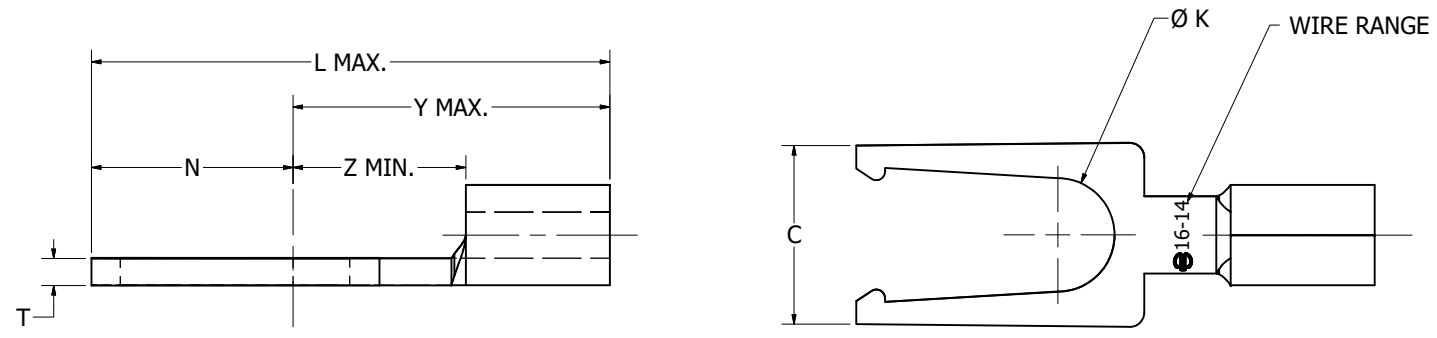
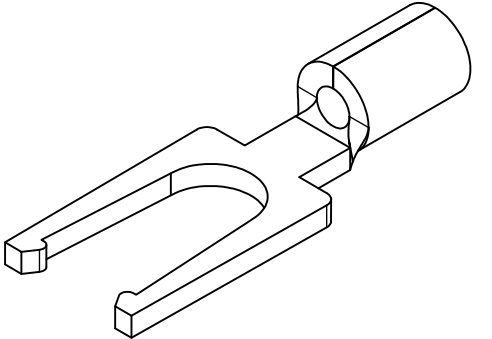


WIRE SIZE (AWG)	STUD SIZE	CATALOG NUMBER <sup>3</sup>	BULK ORDER CAT NO.	C		K		L MAX.	N		T ± .01 [± .25]	Y MAX.	Z MIN.	WIRE STRIP LENGTH ± .03 [± .8]	INSTALLATION TOOLING (ONE CRIMP)	
				MAX.	MIN.	MAX.	MIN.		MAX.	MIN.						
22-16 Str. and Sol.	6	T166LF	--	.28 [7.1]	.22 [5.6]	.15 [3.8]	.14 [3.6]	.86 [21.8]	.35 [8.9]	.29 [7.4]	.03 [.8]	.57 [14.5]	.29 [7.4]	9/32" [7.1]	MRE1022B, MR8G98, Y8MRB1, MR20, Y10D, Y1022	
	8	T168LF	--	.34 [8.6]	.28 [7.1]	.18 [4.5]	.16 [4.1]		.32 [8.1]	.26 [6.6]						.60 [15.2]
	10	T1610LF	--			.23 [5.8]	.19 [4.8]		.26 [6.6]	.20 [5.1]						
16-14 Str. and Sol.	6	T146LF	YAD146LF	.28 [7.1]	.22 [5.6]	.15 [3.8]	.14 [3.6]	.84 [21.3]	.33 [8.4]	.27 [6.9]	.03 [.8]	.57 [14.5]	.27 [6.9]	9/32" [7.1]	MRE1022B, MR8G98, Y8MRB1, MR20, Y10D, Y1022	
	8	T148LF	--	.33 [8.4]	.27 [6.9]	.18 [4.5]	.16 [4.1]	.86 [21.8]	.32 [8.1]	.26 [6.6]						.60 [15.2]
	10	T1410LF	--	.35 [8.9]	.29 [7.4]	.23 [5.8]	.19 [4.8]		.26 [6.6]	.20 [5.1]						
12-10 Str. and Sol.	6	T106LF	--	.33 [8.4]	.27 [6.9]	.15 [3.8]	.14 [3.6]	.93 [23.6]	.42 [10.7]	.36 [9.1]	.04 [1.0]	.57 [14.5]	.26 [6.6]	11/32" [8.7]	MRE1022B, MR8G98, Y8MRB1, MR20, Y10D, Y1022	
	8	T108LF	YAD108LF	.36 [9.1]	.30 [7.6]	.18 [4.5]	.16 [4.1]		.39 [9.9]	.33 [8.4]						.60 [15.2]
	10	T1010LF	--	.38 [9.7]	.32 [8.1]	.23 [5.8]	.19 [4.8]		.33 [8.4]	.27 [6.9]						

REV	DATE	DESCRIPTION	ECO	BY	C'H'K.
B	01/16/2019	UPDATED TABLE DATA	50673	JL	BE



**NOTES:**

1. TERMINAL: TIN PLATED COPPER.
2. DIMENSIONS IN BRACKETS [ ] ARE IN MILLIMETERS AND ARE FOR REFERENCE ONLY.
3. USE "BULK ORDER CAT NO" TO ORDER IN PACKAGE QTY OF 500

TO ORDER BURNDY® PRODUCTS CALL		HYLUG™	
UNITED STATES 1-800-346-4175 (LONDONDERRY, NH)		ITEM NO: SEE TABLE	
CANADA: 1-800-361-6975 (QUEBEC) 1-800-387-6487 (ALL OTHER PROVINCES)		CAT. NO: SEE TABLE	
FOR PRODUCT INFO: <a href="http://www.burndy.com">http://www.burndy.com</a>		DRAWN BY: K.BALAJI 10/9/2018	
		CHECKER: S.VENKATESAN 10/10/2018	
		DSN APRVL: K.CASTONGUAY 12/2/2018	
		MFG APRVL: --	
		QA APRVL: B.POST 11/28/2018	
		MKT APRVL: M.BAILLY 11/28/2018	
		PROD FAM: --	
		PROJECT #: --	
		SIZE	
		D	
		DRAWING NO	
		50094175	
		SHEET 1 OF 1	
		REV	
		B	