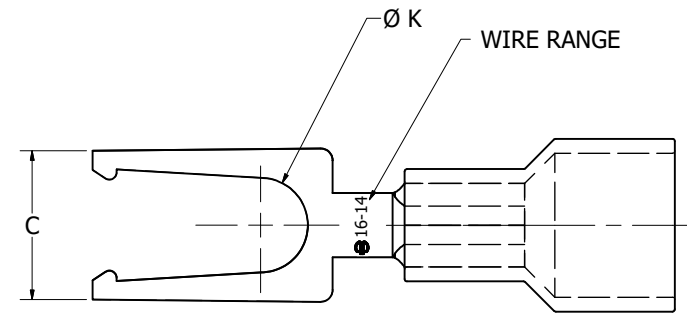
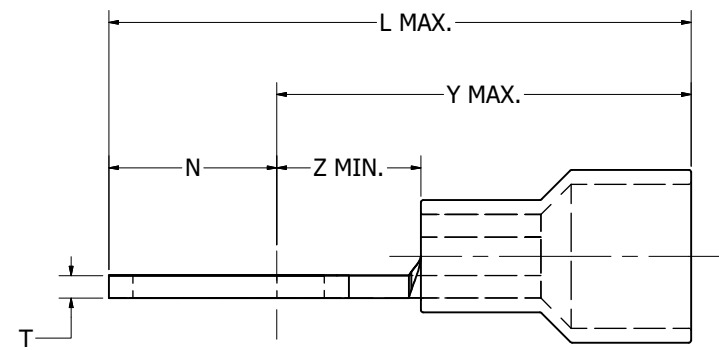
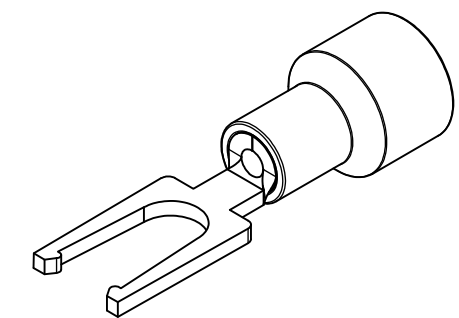


WIRE SIZE (AWG)	STUD SIZE	CATALOG NUMBER	BULK ORDER CAT NO.	C		K		L MAX.	N		T ± .01 [± .25]	Y MAX.	Z MIN.	MAX. WIRE INSUL. DIA. ACCOM.	WIRE STRIP LENGTH ± .03 [± .8]	COLOR CODE	INSTALLATION TOOLING (ONE CRIMP)		
				MAX.	MIN.	MAX.	MIN.		MAX.	MIN.									
22-18 Str. and Sol.	6	TN186LF	--	.28 [7.1]	.22 [5.6]	.15 [3.8]	.14 [3.6]	.95 [24.1]	.35 [8.9]	.29 [7.4]	.03 [.8]	.66 [16.8]	.32 [8.1]	.14 [3.7]	7/32" [5.6]	RED	MRE1022NV, Y10D, Y1022		
	8	TN188LF	--	.34 [8.6]	.28 [7.1]	.18 [4.5]	.16 [4.1]		.32 [8.1]	.26 [6.6]		.69 [17.5]							
	10	TN1810LF	--			.23 [5.8]	.19 [4.8]		.26 [6.6]	.20 [5.1]		.75 [19.0]							
16-14 Str. and Sol.	6	TN146LF	YAES146LF	.28 [7.1]	.22 [5.6]	.15 [3.8]	.14 [3.6]	.93 [23.6]	.33 [8.4]	.27 [6.9]	.03 [.8]	.66 [16.8]	.30 [7.6]	.18 [4.6]	BLUE	MRE1022NV, Y10D, Y1022			
	8	TN148LF	--	.33 [8.4]	.27 [6.9]	.18 [4.5]	.16 [4.1]		.32 [8.1]	.26 [6.6]		.69 [17.5]							
	10	TN1410LF	--	.35 [8.9]	.29 [7.4]	.23 [5.8]	.19 [4.8]		.26 [6.6]	.20 [5.1]		.75 [19.0]							
12-10 Str. and Sol.	6	TN106LF	--	.33 [8.4]	.27 [6.9]	.15 [3.8]	.14 [3.6]	1.02 [25.9]	.42 [10.7]	.36 [9.1]	.04 [1.0]	.66 [16.8]	.29 [7.4]	.26 [6.6]	11/32" [8.7]			YELLOW	MRE1022NV, Y10D, Y1022
	8	TN108LF	YAES108LF	.36 [9.1]	.30 [7.6]	.18 [4.5]	.16 [4.1]		.39 [9.9]	.33 [8.4]		.69 [17.5]							
	10	TN1010LF	--	.38 [9.7]	.32 [8.1]	.23 [5.8]	.19 [4.8]		.33 [8.4]	.27 [6.9]		.75 [19.0]							

REV	DATE	DESCRIPTION	ECO	BY	C'H'K.
B	01/18/2019	ADDED DATA TO TABLE	50673	JL	BE



- NOTES:**
1. TERMINAL: TIN PLATED COPPER
 2. INSULATION: NYLON
 3. DIMENSIONS IN BRACKETS [] ARE IN MILLIMETERS AND ARE FOR REFERENCE ONLY.
 4. DISCONTINUED TOOL: MR883
CONTACT TECH SERVICE FOR INFORMATION ABOUT APPROVED APPLICATIONS (1-800-451-4956).
 5. WIRE CONNECTOR:
300V MAXIMUM
TEMPERATURE RATING OF INSULATING MATERIAL 105°C
FLAME RATING: UL746C GLOW WIRE TEST

6. USE "BULK ORDER CAT NO" TO ORDER IN PACKAGE QTY OF 500

TO ORDER BURNDY® PRODUCTS CALL		INSULUG	
UNITED STATES 1-800-346-4175 (LONDONDERRY, NH)		ITEM NO: SEE TABLE	
CANADA: 1-800-361-6975 (QUEBEC) 1-800-387-6487 (ALL OTHER PROVINCES)		CAT. NO: SEE TABLE	
FOR PRODUCT INFO: http://www.burndy.com		DRAWN BY: K.BALAJI 10/9/2018 CHECKER: S.VENKATESAN 10/10/2018 DSN APRVL: K.CASTONGUAY 11/27/2018 MFG APRVL: -- QA APRVL: B.POST 10/12/2018 MKT APRVL: M.BAILLY 10/12/2018	
		PROJECT #: -- DOCUMENT TYPE: SALES REL LEVEL: Released	
		SIZE D	REV B