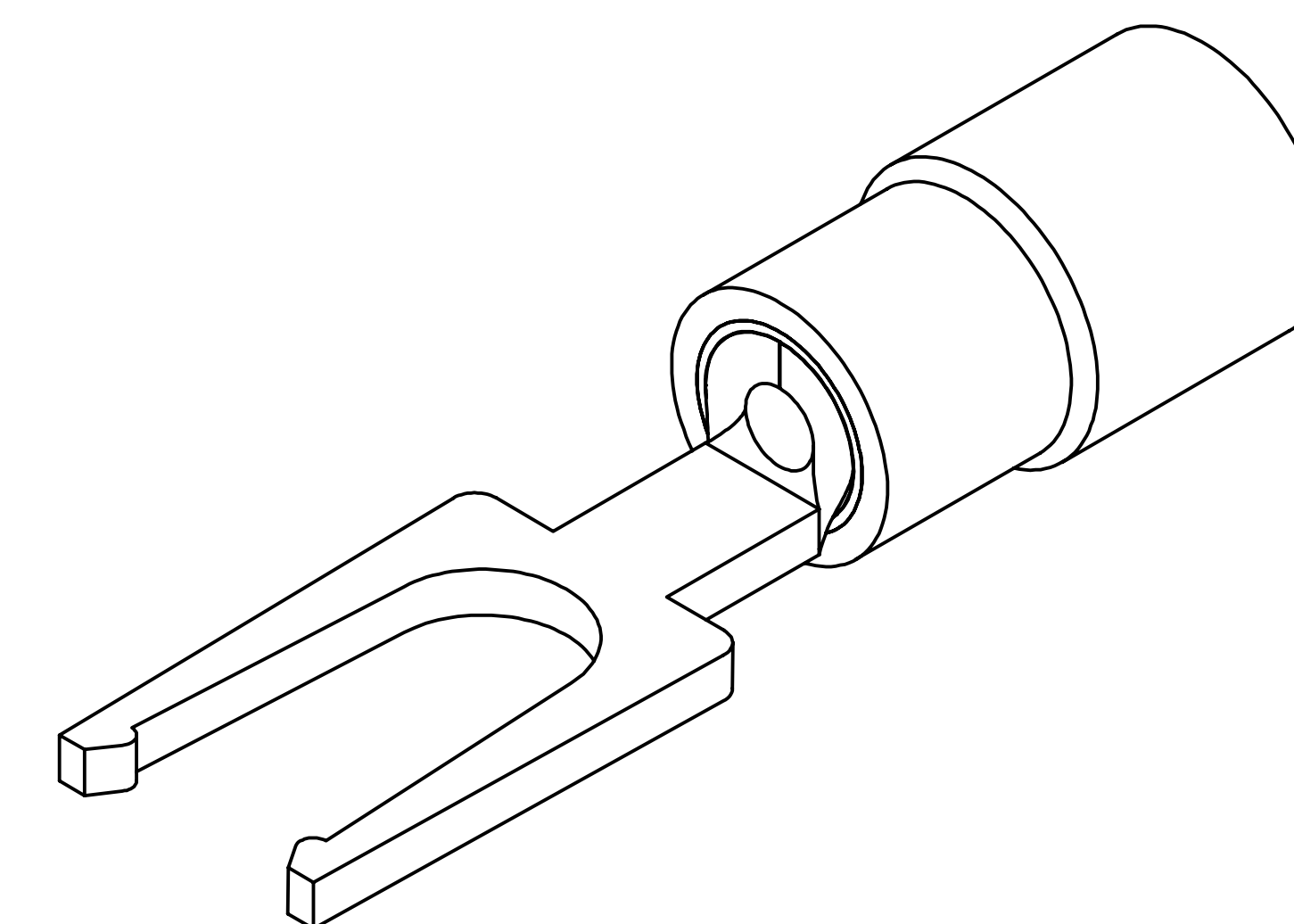
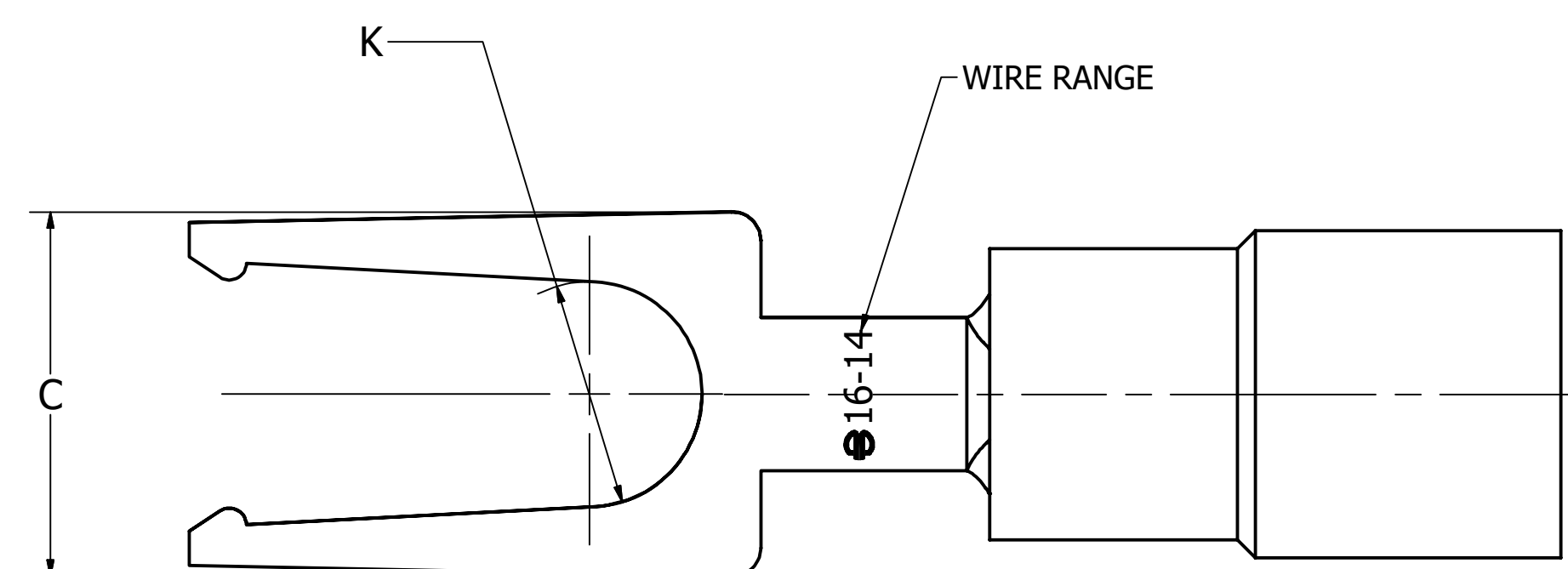
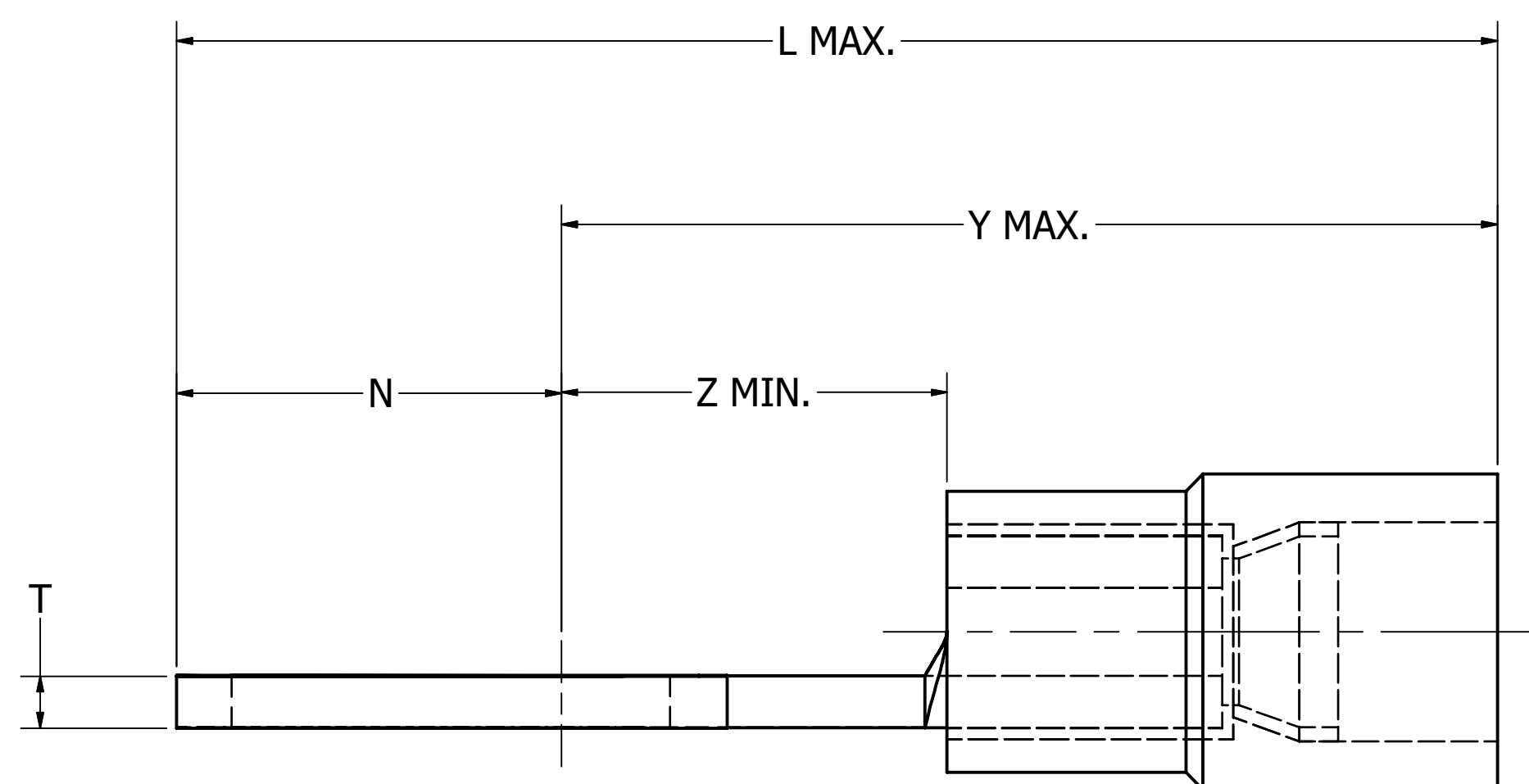


REV	DATE	DESCRIPTION	ECO	BY	C'H'K.
A	10/17/2018	NEW DRAWING CREATION	50125	YR	VS

WIRE SIZE (AWG)	STUD SIZE	CATALOG NUMBER	C		K		L MAX.	N		T ±.01 [±.25]	Y MAX.	Z MIN.	MAX. WIRE INSUL. DIA. ACCOM.	WIRE STRIP LENGTH ±.03 [±.8]	COLOR CODE	INSTALLATION TOOLING (ONE CRIMP)			
			MAX.	MIN.	MAX.	MIN.		MAX.	MIN.										
22-18 Str. and Sol.	6	YAE18N104LFBOX	.28 [7.1]	.22 [5.6]	.15 [3.8]	.14 [3.6]	.95 [24.1]	.35 [8.9]	.29 [7.4]	.03 [.8]	.66 [16.8]	.32 [8.1]	.16 [4.2]	7/32" [5.6]	RED	MRE1022NV, Y1022, Y10D			
	8	YAE18N105LFBOX	.34 [8.6]	.28 [7.1]	.18 [4.5]	.16 [4.1]		.32 [8.1]	.26 [6.6]								.69 [17.5]	.30 [7.6]	.18 [4.7]
	10	YAE18N106LFBOX			.23 [5.8]	.19 [4.8]		.26 [6.6]	.20 [5.1]										
16-14 Str. and Sol.	6	YAE14N107LFBOX	.28 [7.1]	.22 [5.6]	.15 [3.8]	.14 [3.6]	.93 [23.6]	.33 [8.4]	.27 [6.9]	.03 [.8]	.66 [16.8]	.30 [7.6]	.18 [4.7]	BLUE					
	8	YAE14N108LFBOX	.33 [8.4]	.27 [6.9]	.18 [4.5]	.16 [4.1]		.32 [8.1]	.26 [6.6]						.69 [17.5]				
	10	YAE14N109LFBOX	.35 [8.9]	.29 [7.4]	.23 [5.8]	.19 [4.8]		.26 [6.6]	.20 [5.1]								.75 [19.0]		
12-10 Str. and Sol.	6	YAE10N110LFBOX	.33 [8.4]	.27 [6.9]	.15 [3.8]	.14 [3.6]	1.02 [25.9]	.27 [6.9]	.21 [5.3]	.04 [1.0]	.81 [20.6]	.29 [7.4]	.24 [6.0]	YELLOW					
	8	YAE10N111LFBOX	.36 [9.1]	.30 [7.6]	.18 [4.5]	.16 [4.1]		.21 [5.3]	.15 [3.8]						.87 [22.1]				
	10	YAE10N112LFBOX	.38 [9.7]	.32 [8.1]	.23 [5.8]	.19 [4.8]													



NOTES:

1. TERMINAL: TIN PLATED COPPER
2. INSULATION: NYLON
3. DIMENSIONS IN BRACKETS [ ] ARE IN MILLIMETERS AND ARE FOR REFERENCE ONLY.
4. DISCONTINUED TOOLS: MR883  
CONTACT TECH SERVICE FOR INFORMATION ABOUT APPROVED APPLICATIONS (1-800-451-4956)
5. WIRE CONNECTOR:  
300V MAXIMUM  
TEMPERATURE RATING OF INSULATING MATERIAL 105°C  
FLAME RATING: UL746C GLOW WIRE TEST

TO ORDER BURNDY® PRODUCTS CALL		INSULUG	
UNITED STATES 1-800-346-4175 (LONDONDERRY, NH)		ITEM NO: --	
CANADA: 1-800-361-6975 (QUEBEC) 1-800-387-6487 (ALL OTHER PROVINCES)		CAT. NO: TYPE YAE-N-LF	
FOR PRODUCT INFO: <a href="http://www.burndy.com">http://www.burndy.com</a>		DRAWN BY: R.YOGARAJ 10/17/2018	
		CHECKER: V.SAKTHIVEL 10/17/2018	
		DSN APRVL: --	
		MFG APRVL: --	
		QA APRVL: --	
		MKT APRVL: --	
		PROD FAM: --	
		PROJECT #: --	
		SIZE	
		D	
		DRAWING NO	
		50094178	
		SHEET 1 OF 1	
		REV	
		A	