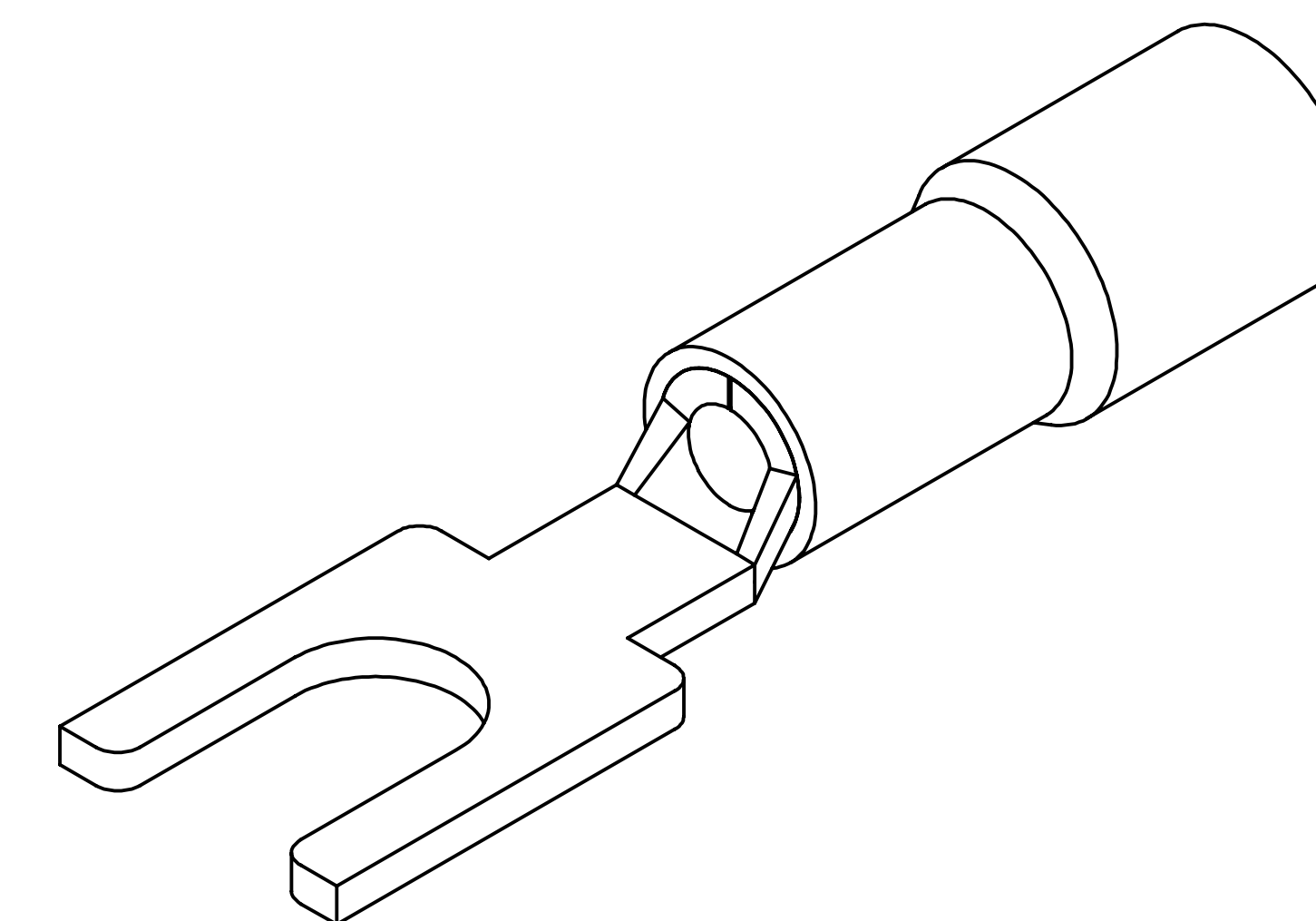
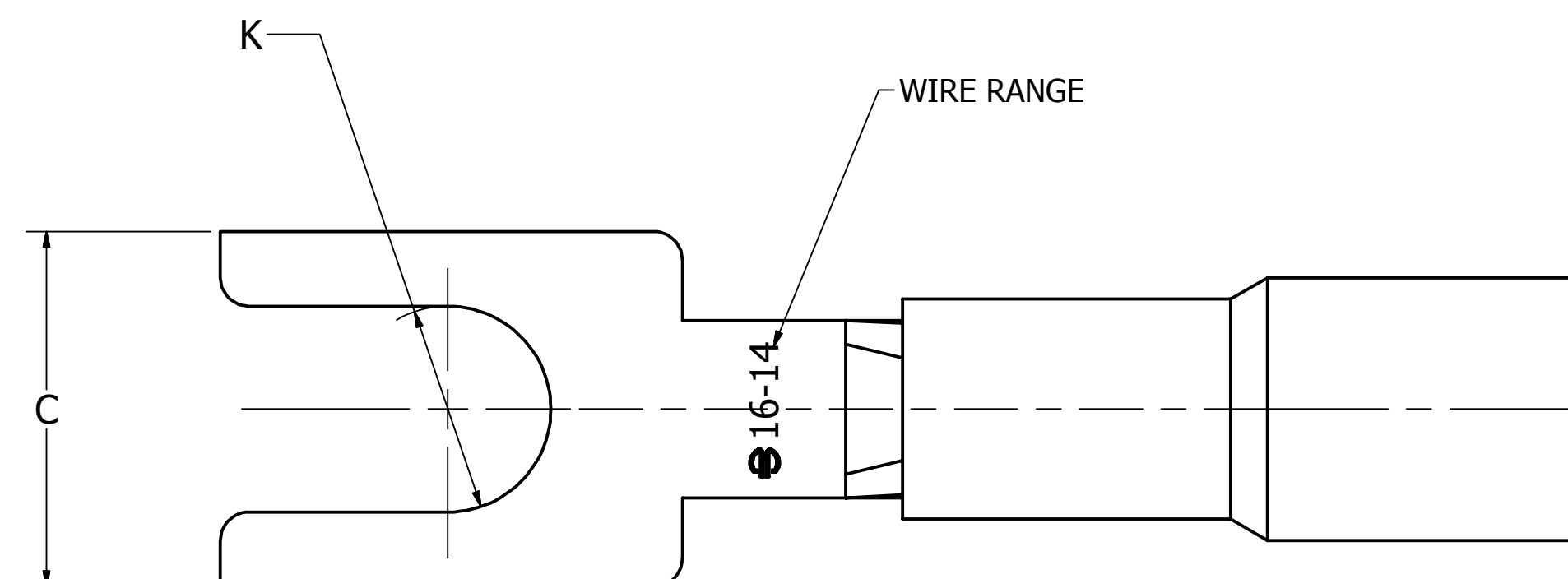
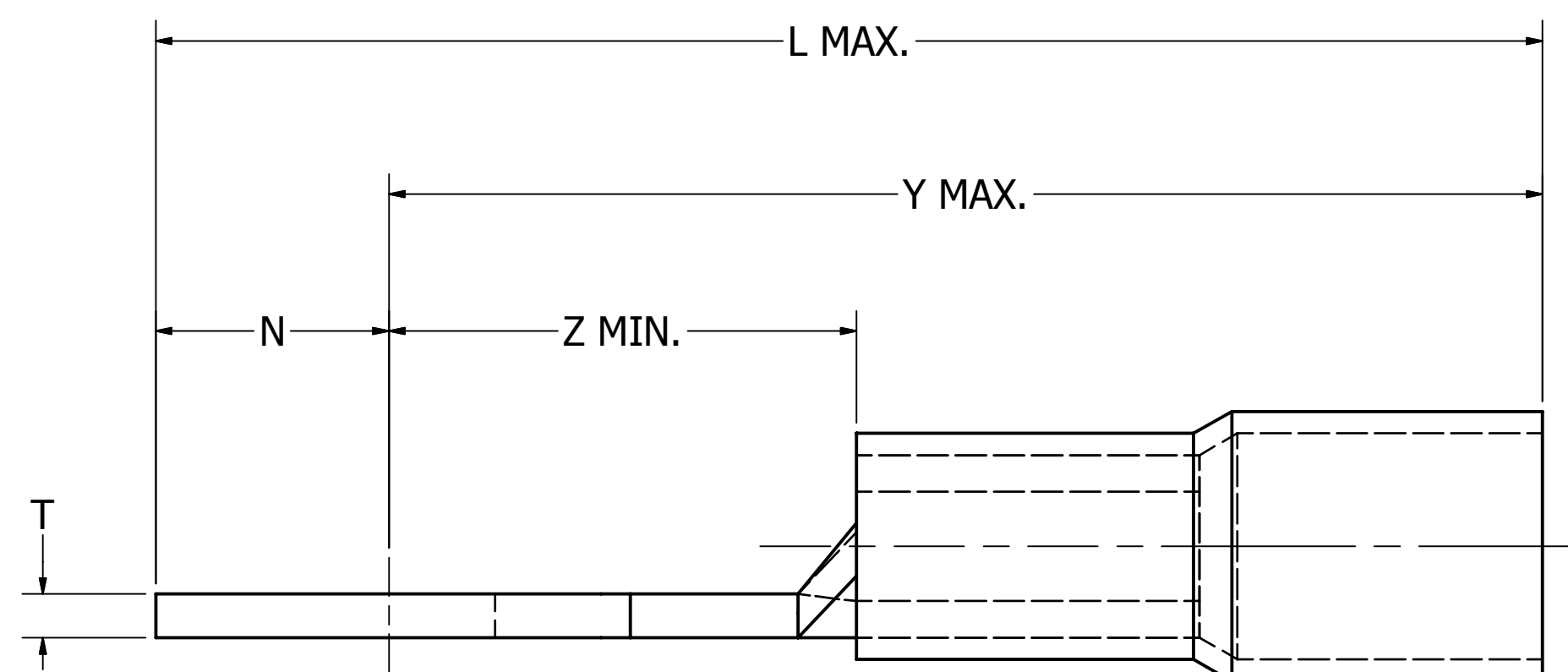


REV	DATE	DESCRIPTION	ECO	BY	C'H'K.
A	10/11/2018	NEW DRAWING CREATION	50047	YR	VS

WIRE SIZE (AWG)	STUD SIZE	CATALOG NUMBER	C		K		L MAX.	N		T ±.01 [±.25]	Y MAX.	Z MIN.	MAX. WIRE INSUL. DIA. ACCOM.	WIRE STRIP LENGTH ±.03 [±.8]	COLOR CODE	INSTALLATION TOOLING (ONE CRIMP)
			MAX.	MIN.	MAX.	MIN.		MAX.	MIN.							
22-18 Str. and Sol.	6	TP166BF	.28 [7.1]	.22 [5.6]	.15 [3.8]	.14 [3.6]	.98 [24.9]	.18 [4.6]	.12 [3.0]	.03 [.8]	.86 [21.8]	.29 [7.4]	.16 [4.2]	13/64" [5.2]	RED	Y1022, MR15, MRE1022NV
	8	TP168BF	.34 [8.6]	.28 [7.1]	.18 [4.5]	.16 [4.1]		.22 [5.6]	.16 [4.1]							
	10	TP1610BF			.23 [5.8]	.19 [4.8]										
16-14 Str. and Sol.	6	TP146BF	.28 [7.1]	.22 [5.6]	.15 [3.8]	.14 [3.6]	.96 [24.4]	.18 [4.6]	.12 [3.0]	.03 [.8]	.84 [21.3]	.27 [6.9]	.18 [4.7]	BLUE		
	8	TP148BF	.33 [8.4]	.27 [6.9]	.18 [4.5]	.16 [4.1]		.98 [24.9]	.21 [5.3]						.15 [3.8]	
	10	TP1410BF	.35 [8.9]	.29 [7.4]	.23 [5.8]	.19 [4.8]			.22 [5.6]						.16 [4.1]	
12-10 Str. and Sol.	6	TP106BF	.33 [8.4]	.27 [6.9]	.15 [3.8]	.14 [3.6]	1.05 [26.7]	.21 [5.3]	.15 [3.8]	.04 [1.0]	.90 [22.9]	.26 [6.6]	.24 [6.0]	YELLOW		
	8	TP108BF	.36 [9.1]	.30 [7.6]	.18 [4.5]	.16 [4.1]		.22 [5.6]	.16 [4.1]							
	10	TP1010BF	.38 [9.7]	.32 [8.1]	.23 [5.8]	.19 [4.8]									.23 [5.8]	.17 [4.3]



NOTES:

1. TERMINAL: TIN PLATED COPPER
2. INSULATION: POLYVINYLCHLORIDE
3. DIMENSIONS IN BRACKETS [ ] ARE IN MILLIMETERS AND ARE FOR REFERENCE ONLY.
4. DISCONTINUED TOOLS: MR8891, MR8G96  
CONTACT TECH SERVICE FOR INFORMATION ABOUT APPROVED APPLICATIONS (1-800-451-4956)

TO ORDER BURNDY® PRODUCTS CALL

UNITED STATES  
1-800-346-4175 (LONDONDERRY, NH)

CANADA:  
1-800-361-6975 (QUEBEC)  
1-800-387-6487 (ALL OTHER PROVINCES)

FOR PRODUCT INFO: <http://www.burndy.com>

INSULUG

ITEM NO: --		
CAT. NO: TYPE TP-BF		
DRAWN BY: R.YOGARAJ	10/11/2018	
CHECKER: V.SAKTHIVEL	10/11/2018	
DSN APRVL: --		
MFG APRVL: --		
QA APRVL: --		
MKT APRVL: --		
PROD FAM: --		
PROJECT #: --	SIZE	DRAWING NO
DOCUMENT TYPE: SALES	D	50094181
REL LEVEL: Released		SHEET 1 OF 1

REV  
A