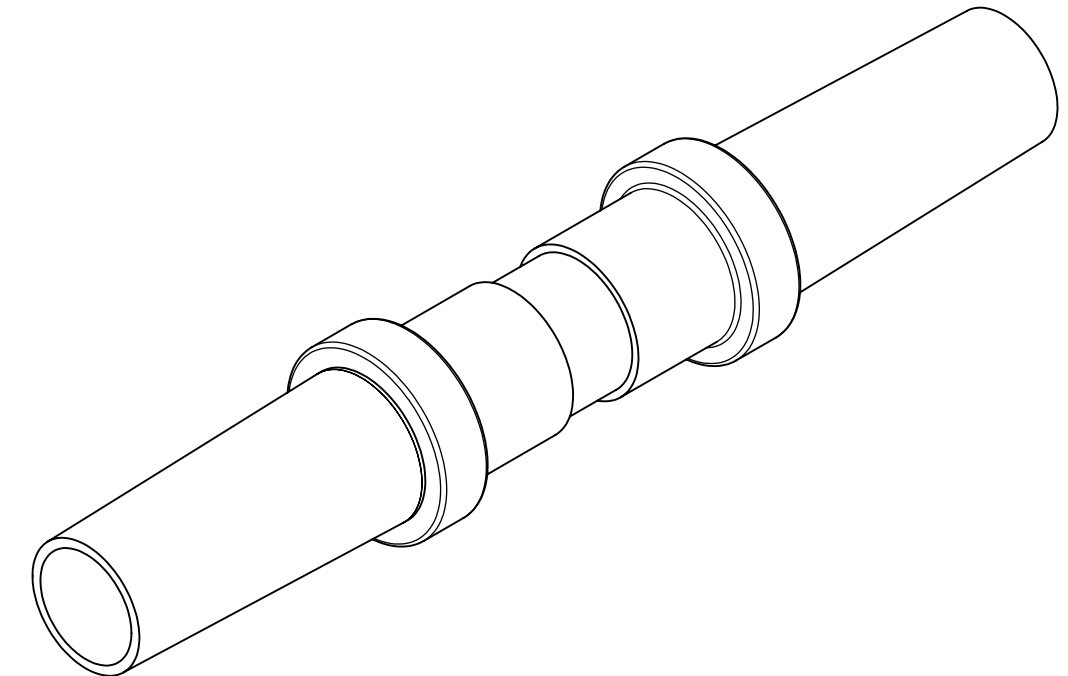
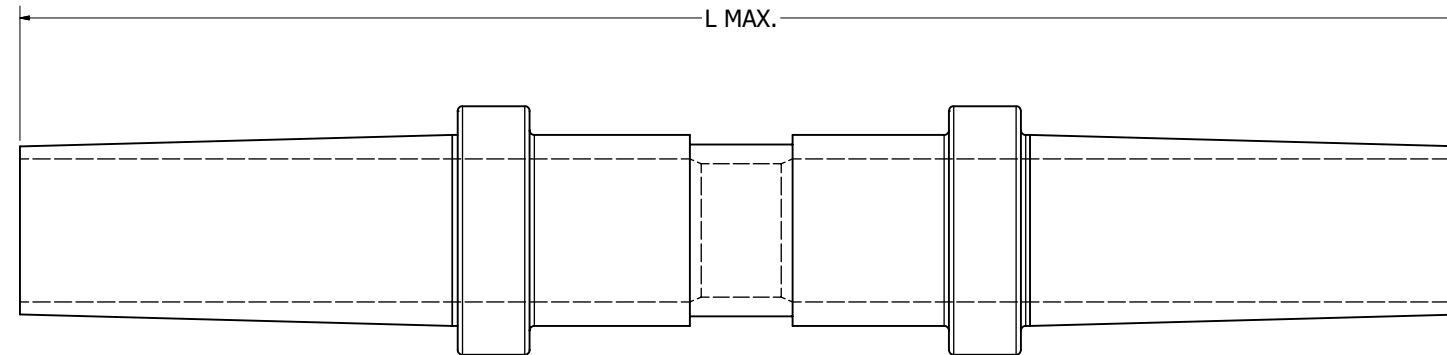


WIRE SIZE (AWG)	CATALOG NUMBER	BULK CATALOG NUMBER	L MAX.	MAX. WIRE INSUL. DIA. ACCOM.	WIRE STRIP LENGTH $\pm .03$ [ $\pm .8$ ]	COLOR CODE	INSTALLATION TOOLING
22-18 Sol. and Str.	SNM18	YSES181	1.53 [38.9]	.12 [3.0]	7/32" [5.6]	RED	Y1022, MR18, MRE1022NV
16-14 Sol. and Str.	SNM14	YSES142		.15 [3.8]		BLUE	
12-10 Sol. and Str.	SNM10*	YSES103	1.90 [48.3]	.20 [5.1]		YELLOW	

REV	DATE	DESCRIPTION	ECO	BY	C'H'K.
A	12/05/2018	NEW DRAWING CREATION	50447	PP	VS



**NOTES:**

1. TERMINAL: TIN PLATED COPPER
2. INSULATION: NYLON
3. DIMENSIONS IN BRACKETS [ ] ARE IN MILLIMETERS AND ARE FOR REFERENCE ONLY.
4. UL LISTED & CSA CERTIFIED SPLICING WIRE CONNECTORS PER UL486C (FILE E9498) & CSA C22.2 NO.188 REQUIREMENTS (FILE 252405)
5. DISCONTINUED TOOLS: MR883  
CONTACT TECH SERVICE FOR INFORMATION ABOUT APPROVED APPLICATIONS (1-800-451-4956)
6. WIRE CONNECTOR:  
300V MAXIMUM  
TEMPERATURE RATING OF INSULATING MATERIAL 105°C  
FLAME RATING: UL746C GLOW WIRE TEST
7. MEETS REQUIREMENTS OF SAE-AS7928.
8. ITEMS WITH CATALOG NUMBERS FOLLOWED BY ASTERISKS (\*) ARE NOT UL LISTED OR CSA CERTIFIED.

TO ORDER BURNDY® PRODUCTS CALL		INSULINK	
UNITED STATES 1-800-346-4175 (LONDONDERRY, NH)		ITEM NO: N/A	
CANADA: 1-800-361-6975 (QUEBEC) 1-800-387-6487 (ALL OTHER PROVINCES)		CAT. NO: TYPE SNM	
FOR PRODUCT INFO: <a href="http://www.burndy.com">http://www.burndy.com</a>		DRAWN BY: P.PRASANTH 12/5/2018	
		CHECKER: V.SAKTHIVEL 12/5/2018	
		DSN APRVL: K.CASTONGUAY 12/6/2018	
		MFG APRVL: --	
		QA APRVL: B.POST 12/6/2018	
		MKT APRVL: M.BAILLY 12/6/2018	
		PROD FAM: --	
		PROJECT #: --	
		SIZE: D	
		DOCUMENT TYPE: SALES	
		REL LEVEL: Released	
		DRAWING NO: 50094192	
		SHEET 1 OF 1	
		REV: A	