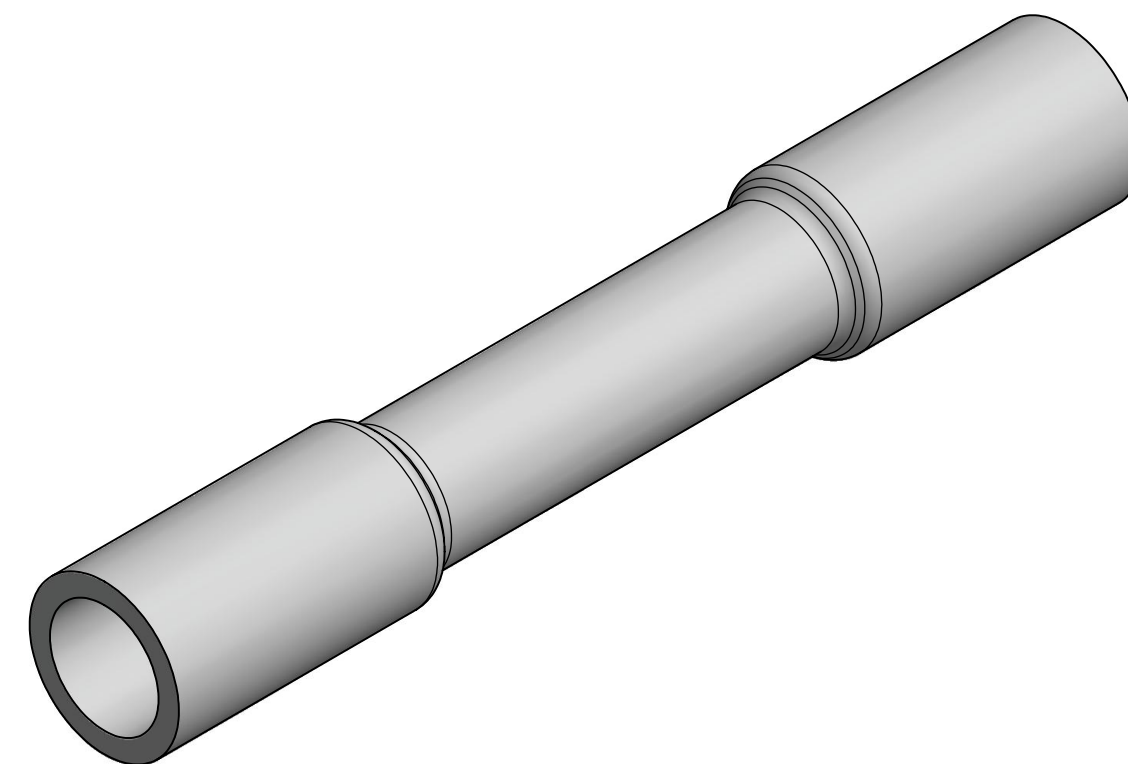
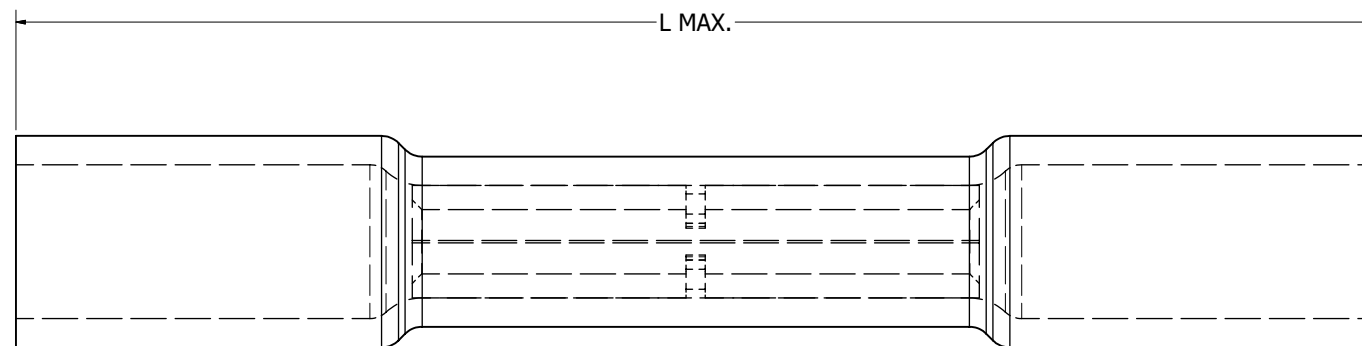


REV	DATE	DESCRIPTION	ECO	BY	C'H'K.
A	12/03/2018	NEW DRAWING CREATION	50427	RB	VS

WIRE SIZE (AWG)	CATALOG NUMBER	L MAX.	MAX. WIRE INSUL. DIA. ACCOM.	WIRE STRIP LENGTH ± .03 [± .8]	COLOR CODE	INSTALLATION TOOLING
22-18 Str. and Sol.	SN18B	1.25 [31.8]	.12 [3.2]	15/64" [6.0]	RED	Y10D, Y1022, MRE1022NV
16-14 Str. and Sol.	SN14B		.15 [3.8]	7/32" [5.6]	BLUE	
12-10 Str. and Sol.	SN10B	1.64 [41.7]	.22 [5.6]	3/8" [9.5]	YELLOW	



NOTES:

1. TERMINAL: TIN PLATED COPPER
2. INSULATION: NYLON
3. DIMENSIONS IN BRACKETS [] ARE IN MILLIMETERS AND ARE FOR REFERENCE ONLY.
4. DISCONTINUED TOOL: MR885
CONTACT TECH SERVICE FOR INFORMATION ABOUT APPROVED APPLICATIONS (1-800-451-4956)
5. WIRE CONNECTOR:
600V MAXIMUM
TEMPERATURE RATING OF INSULATING MATERIAL 105°C
FLAME RATING: UL746C GLOW WIRE TEST

TO ORDER BURNDY® PRODUCTS CALL		HYDENT	
UNITED STATES 1-800-346-4175 (LONDONDERRY, NH)		ITEM NO: N/A	
CANADA: 1-800-361-6975 (QUEBEC) 1-800-387-6487 (ALL OTHER PROVINCES)		CAT. NO: TYPE SN-B	
FOR PRODUCT INFO: http://www.burndy.com		DRAWN BY: RBABU 12/03/2018	
		CHECKER: V.SAKTHIVEL 12/03/2018	
		DSN APRVL: K.CASTONGUAY 12/18/2018	
		MFG APRVL: --	
		QA APRVL: B.POST 12/03/2018	
		MKT APRVL: M.BAILLY 12/04/2018	
		PROD FAM: --	
		PROJECT #: --	
		DOCUMENT TYPE: SALES	
		REL LEVEL: Released	
		SIZE D	DRAWING NO 50094193
			REV A
		SHEET 1 OF 1	