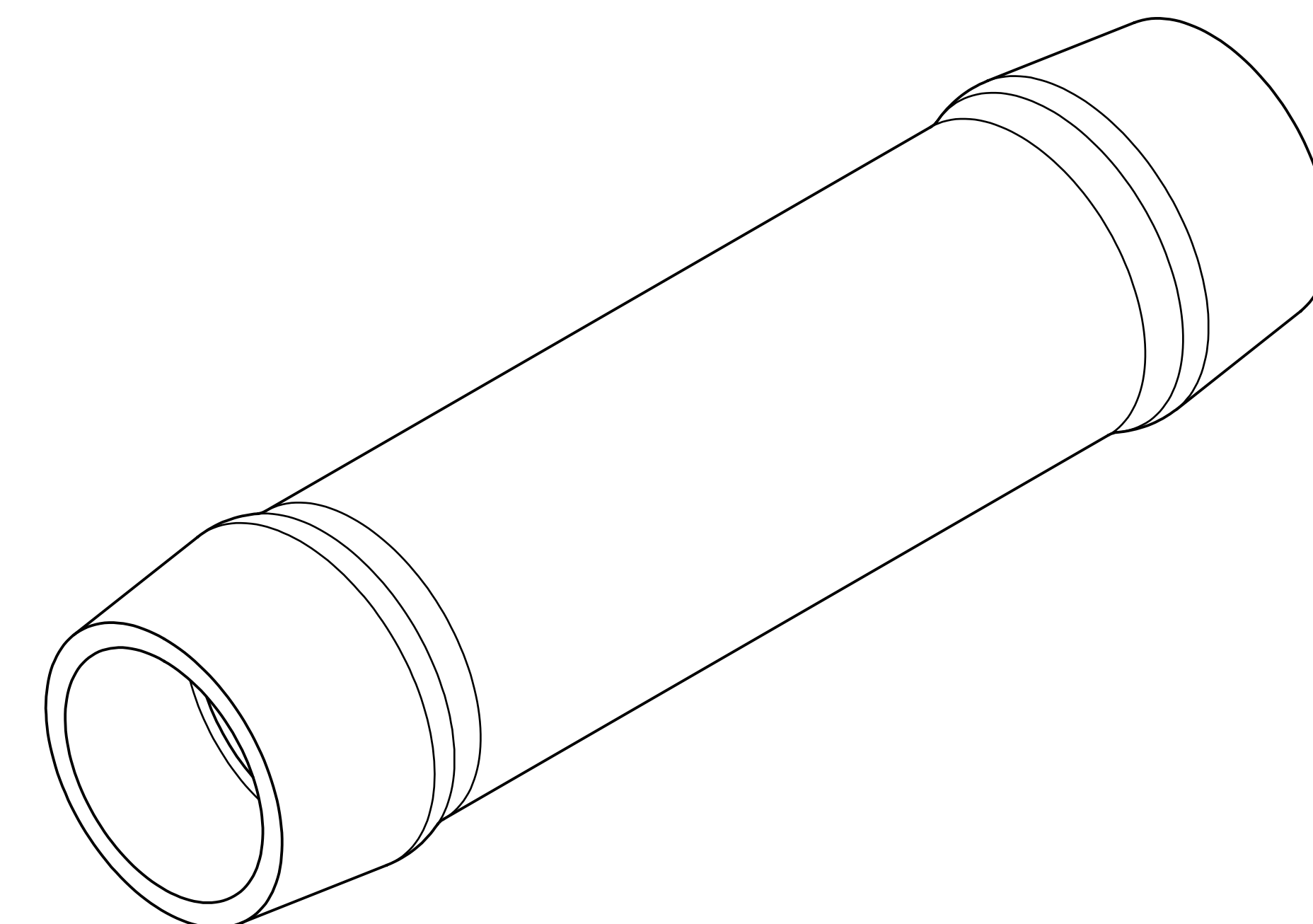
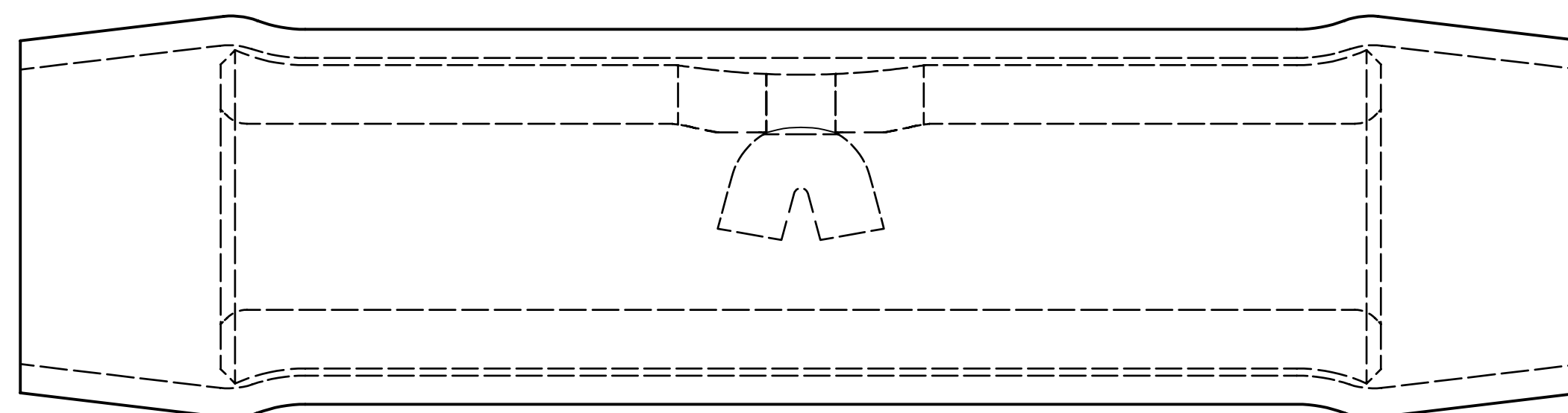


REV	DATE	DESCRIPTION	ECO	BY	C'H'K.
A	12/04/2018	NEW DRAWING CREATION	50429	PP	VS

WIRE SIZE (AWG)	CATALOG NUMBER	BULK CATALOG NUMBER	L MAX.	MAX. WIRE INSUL. DIA. ACCOM.	WIRE STRIP LENGTH ± .03 [± .8]	COLOR CODE	INSTALLATION TOOLING
22-18 Str. and Sol.	YSE18HBOX	YSE18H	1.22 [31.0]	.12 [3.0]	9/32" [7.1]	RED	Y1022, MRE1022NV
16-14 Str. and Sol.	YSE14HBOX	YSE14H	1.36 [34.5]	.15 [3.8]	11/32" [8.7]	BLUE	
12-10 Str. and Sol.	YSE10BOX	YSE10	1.15 [29.2]	.21 [5.3]	23/64" [9.1]	YELLOW	



**NOTES:**

1. TERMINAL: TIN PLATED COPPER
2. INSULATION: NYLON
3. DIMENSIONS IN BRACKETS [ ] ARE IN MILLIMETERS AND ARE FOR REFERENCE ONLY.
4. UL LISTED & CSA CERTIFIED SPLICING WIRE CONNECTORS PER UL486C (FILE E9498) & CSA C22.2 NO.188 REQUIREMENTS (FILE 252405)
5. WIRE CONNECTOR:  
600V MAXIMUM  
TEMPERATURE RATING OF INSULATING MATERIAL 105°C  
FLAME RATING: UL746C GLOW WIRE TEST

TO ORDER BURNDY® PRODUCTS CALL		INSULINK	
UNITED STATES 1-800-346-4175 (LONDONDERRY, NH)		ITEM NO: N/A	
CANADA: 1-800-361-6975 (QUEBEC) 1-800-387-6487 (ALL OTHER PROVINCES)		CAT. NO: TYPES YSE & YSE-H	
FOR PRODUCT INFO: <a href="http://www.burndy.com">http://www.burndy.com</a>		DRAWN BY: P.PRASANTH 12/4/2018	
		CHECKER: V.SAKTHIVEL 12/4/2018	
		DSN APRVL: K.CASTONGUAY 2/12/2019	
		MFG APRVL: --	
		QA APRVL: B.ELLIOTT 1/3/2019	
		MKT APRVL: M.BAILLY 1/3/2019	
		PROD FAM: --	
		PROJECT #: --	
		SIZE: D	
		DOCUMENT TYPE: SALES	
		REL LEVEL: Released	
		DRAWING NO: 50094194	
		SHEET 1 OF 1	
		REV: A	