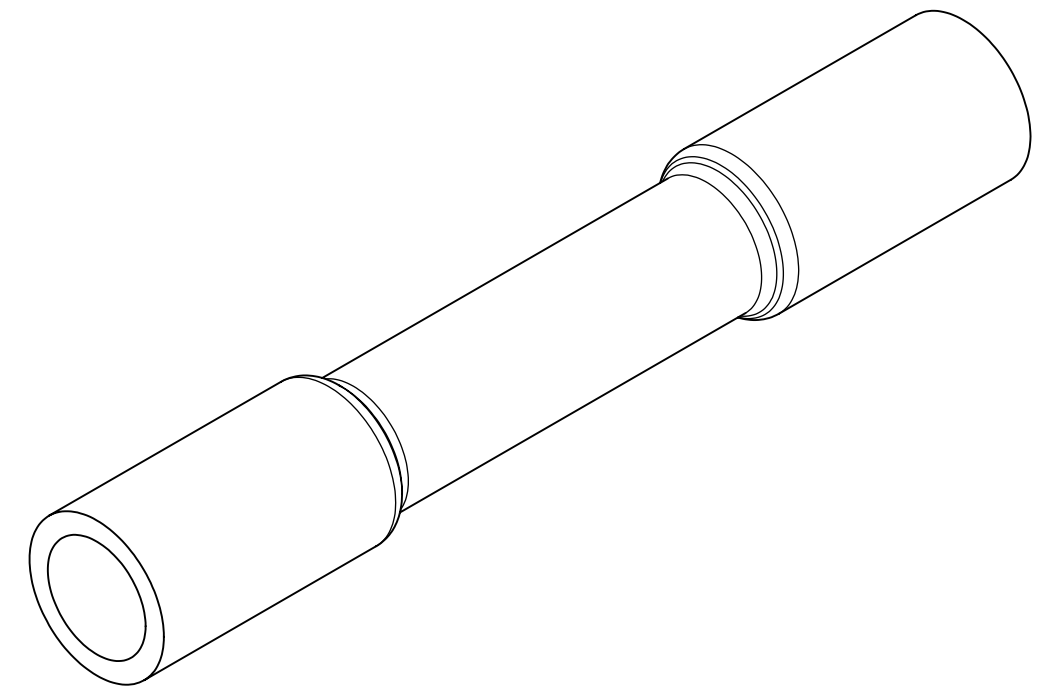
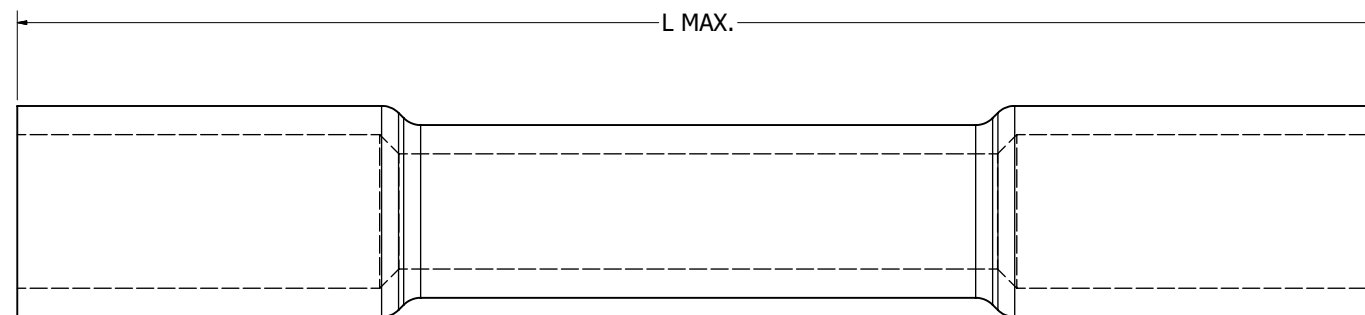


REV	DATE	DESCRIPTION	ECO	BY	C'H'K.
A	12/06/2018	NEW DRAWING CREATION	50448	PP	VS

WIRE SIZE (AWG)	CATALOG NUMBER	L MAX.	MAX. WIRE INSUL. DIA. ACCOM.	WIRE STRIP LENGTH ± .03 [± .8]	COLOR CODE	INSTALLATION TOOLING
22-18 Str. and Sol.	YSE18HHS	1.50 [38.1]	.18 [4.4]	9/32" [7.1]	RED	Y10D, Y1022
16-14 Str. and Sol.	YSE14HHS		.21 [5.2]	11/32" [8.7]	BLUE	
12-10 Str. and Sol.	YSE10HHS	1.60 [40.6]	.26 [6.6]	23/64" [9.1]	YELLOW	



NOTES:

1. TERMINAL: TIN PLATED COPPER
2. INSULATION: HEAT SHRINK
3. DIMENSIONS IN BRACKETS [] ARE IN MILLIMETERS AND ARE FOR REFERENCE ONLY.
4. DISCONTINUED TOOLS: MR833T1
CONTACT TECH SERVICE FOR INFORMATION ABOUT APPROVED APPLICATIONS (1-800-451-4956)
5. WIRE CONNECTOR:
MINIMUM SHRINK TEMPERATURE: 135°C
OPERATING TEMPERATURE RANGE: -55°C TO 110°C

TO ORDER BURNDY® PRODUCTS CALL		HYDENT	
UNITED STATES 1-800-346-4175 (LONDONDERRY, NH)		ITEM NO: N/A	
CANADA: 1-800-361-6975 (QUEBEC) 1-800-387-6487 (ALL OTHER PROVINCES)		CAT. NO: TYPE YSE-HHS	
FOR PRODUCT INFO: http://www.burndy.com		DRAWN BY: P.PRASANTH 12/5/2018	
		CHECKER: V.SAKTHIVEL 12/5/2018	
		DSN APRVL: K.CASTONGUAY 12/6/2018	
		MFG APRVL: --	
		QA APRVL: B.POST 12/6/2018	
		MKT APRVL: M.BAILLY 12/6/2018	
		PROD FAM: --	
		PROJECT #: --	
		SIZE	
		D	
		DRAWING NO	
		50094195	
		REV	
		A	
		SHEET 1 OF 1	